

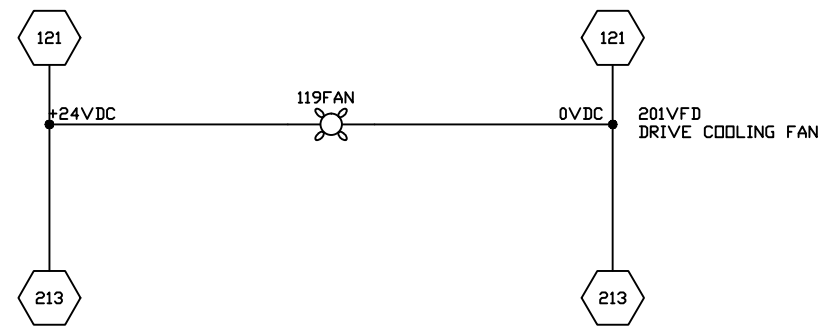
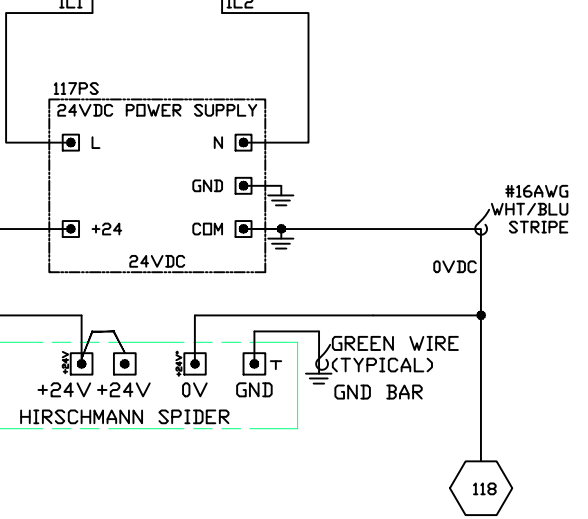
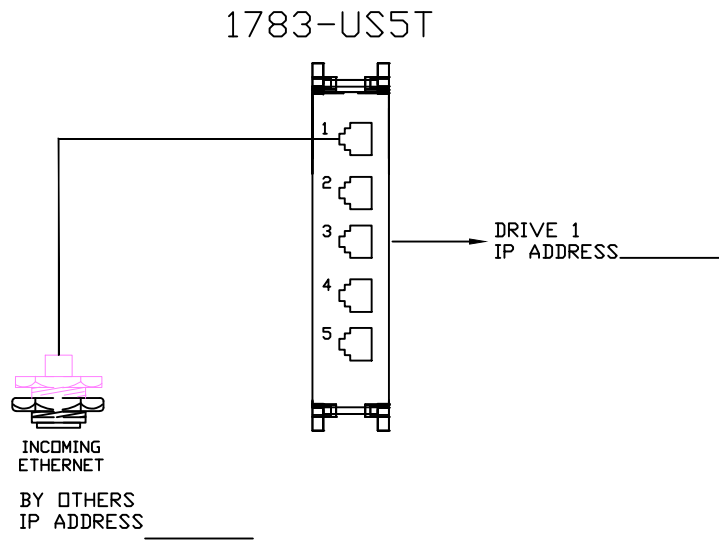
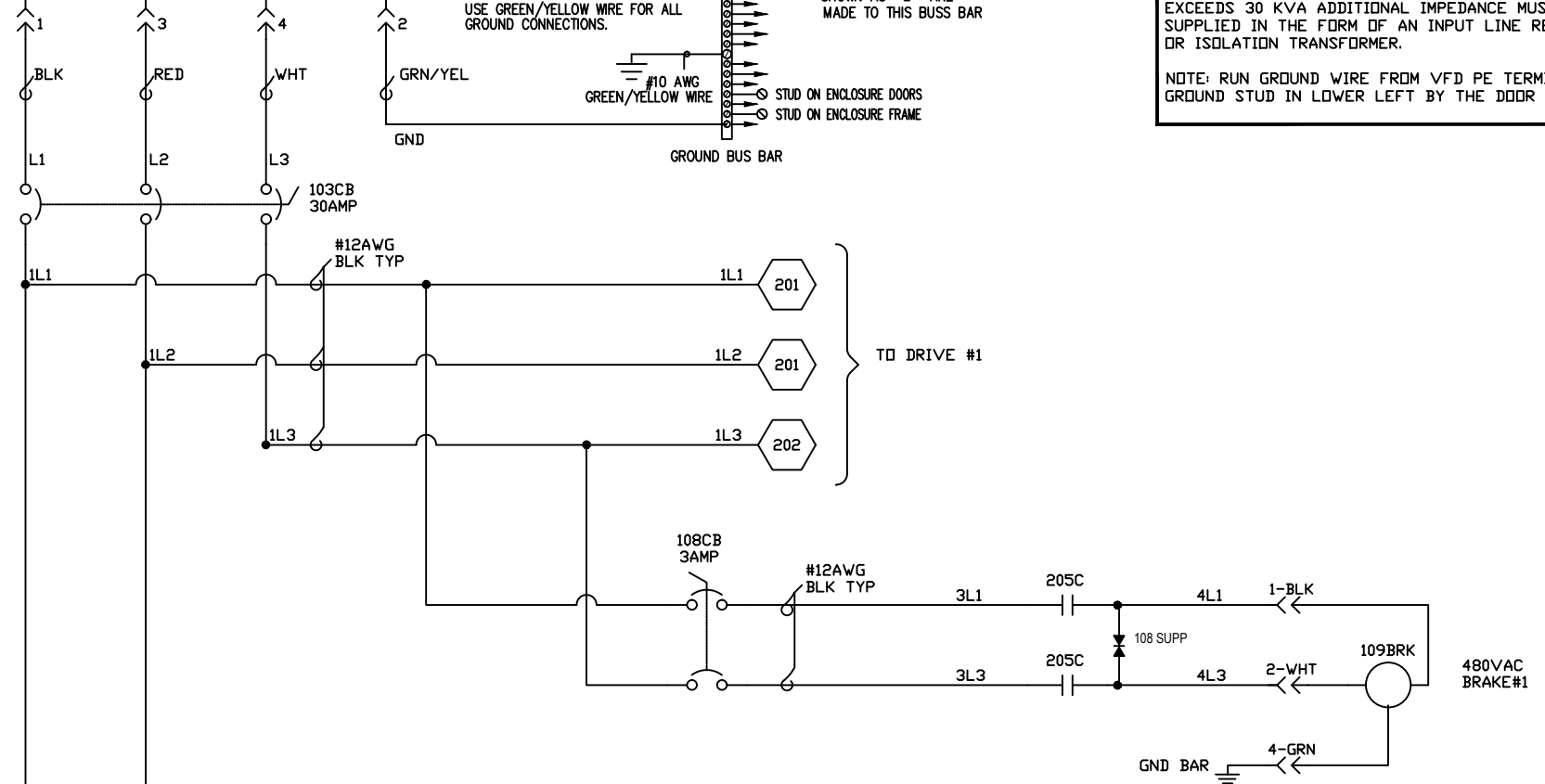
100
101
102
103
104
105
106
107
108
109
110
111
112
113
114
115
116
117
118
119
120
121
122

FROM CUSTOMER 480VAC, 3-PHASE, 60HZ WYE CONNECTED POWER DISTRIBUTION WITH SOLIDLY GROUNDED NEUTRAL.

NOTE: REMOVE PAINT FROM SUBPLATE AND SERVICE ENTRANCE GROUND LUG. USE GREEN/YELLOW WIRE FOR ALL GROUND CONNECTIONS.

NOTE: ALL CONNECTIONS SHOWN AS \oplus ARE MADE TO THIS BUSS BAR

NOTE: IF THE USER SUPPLIED INPUT POWER DISTRIBUTION EXCEEDS 30 KVA ADDITIONAL IMPEDANCE MUST BE SUPPLIED IN THE FORM OF AN INPUT LINE REACTOR OR ISOLATION TRANSFORMER.
NOTE: RUN GROUND WIRE FROM VFD PE TERMINAL TO CABINET GROUND STUD IN LOWER LEFT BY THE DOOR HINGE.



UNITS ARE MILLIMETERS (i.e.X.XXmm [x.xxx"])
DO NOT SCALE DRAWING

EXCEPT AS NOTED
DECIMAL TOL. SHALL BE:
0 PLACE (FRACTIONS) ± .400 [1/64"]
1 PLACE ± .200 [0.010"]
2 PLACE ± .100 [0.005"]
3 PLACE ± .010 [0.0005"]
ALL DOWEL LOC ± 0.010 [0.0005"]
BETWEEN HOLES

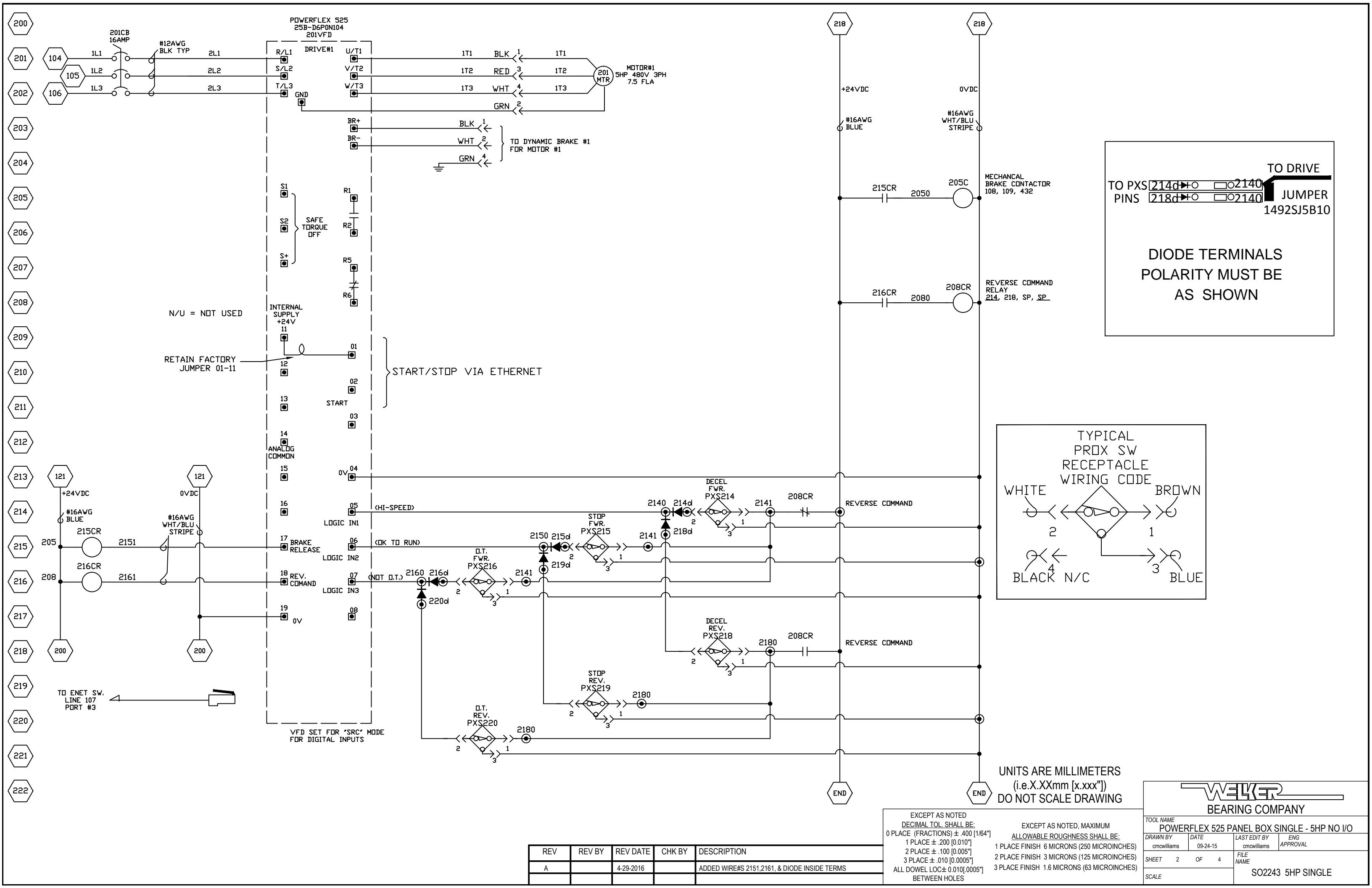
EXCEPT AS NOTED, MAXIMUM ALLOWABLE ROUGHNESS SHALL BE:
1 PLACE FINISH 6 MICRONS (250 MICROINCHES)
2 PLACE FINISH 3 MICRONS (125 MICROINCHES)
3 PLACE FINISH 1.6 MICRONS (63 MICROINCHES)

| REV | REV BY | REV DATE | CHK BY | DESCRIPTION |
|-----|--------|----------|--------|-------------|
| | | | | |
| | | | | |
| | | | | |

WEKER BEARING COMPANY

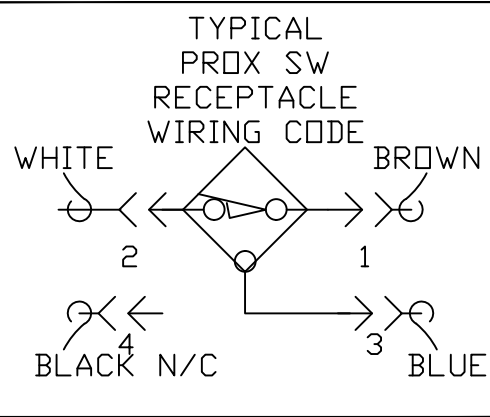
TOOL NAME
POWERFLEX 525 PANEL BOX SINGLE - 5HP NO-I/O

| | | | |
|-------------------------|------------------|-----------------------------|-------------------|
| DRAWN BY cmcwilliams | DATE 09-24-15 | LAST EDIT BY cmcwilliams | ENG APPROVAL |
| SHEET 1 | OF 4 | FILE NAME | |
| SCALE | | | SO2243 5HP SINGLE |



TO DRIVE
 TO PXS 214d → ○ 2140
 PINS 218d → ○ 2140 JUMPER 1492SJ5B10

DIODE TERMINALS
 POLARITY MUST BE
 AS SHOWN



UNITS ARE MILLIMETERS
 (i.e.X.XXmm [x.xxx"])
 DO NOT SCALE DRAWING

EXCEPT AS NOTED
 DECIMAL TOL. SHALL BE:
 0 PLACE (FRACTIONS) ± .400 [1/64"]
 1 PLACE ± .200 [0.010"]
 2 PLACE ± .100 [0.005"]
 3 PLACE ± .010 [0.0005"]
 ALL DOWEL LOC ± 0.010 [0.0005"]
 BETWEEN HOLES

EXCEPT AS NOTED, MAXIMUM
 ALLOWABLE ROUGHNESS SHALL BE:
 1 PLACE FINISH 6 MICRONS (250 MICROINCHES)
 2 PLACE FINISH 3 MICRONS (125 MICROINCHES)
 3 PLACE FINISH 1.6 MICRONS (63 MICROINCHES)

| REV | REV BY | REV DATE | CHK BY | DESCRIPTION |
|-----|--------|-----------|--------|--|
| A | | 4-29-2016 | | ADDED WIRE#S 2151,2161, & DIODE INSIDE TERMS |

WEKER
 BEARING COMPANY

TOOL NAME
 POWERFLEX 525 PANEL BOX SINGLE - 5HP NO I/O

| | | | |
|------------------------|------------------|----------------------------|-------------------|
| DRAWN BY cmwilliams | DATE 09-24-15 | LAST EDIT BY cmwilliams | ENG APPROVAL |
| SHEET 2 | OF 4 | FILE NAME | SO2243 5HP SINGLE |

SCALE

SPARE SHEET

THIS SHEET INTENTIONALLY BLANK

UNITS ARE MILLIMETERS
(i.e.X.XXmm [x.xxx"])
DO NOT SCALE DRAWING

EXCEPT AS NOTED
DECIMAL TOL. SHALL BE:
0 PLACE (FRACTIONS) ± .400 [1/64"]
1 PLACE ± .200 [0.010"]
2 PLACE ± .100 [0.005"]
3 PLACE ± .010 [0.0005"]
ALL DOWEL LOC± 0.010[.0005"]
BETWEEN HOLES

EXCEPT AS NOTED, MAXIMUM
ALLOWABLE ROUGHNESS SHALL BE:
1 PLACE FINISH 6 MICRONS (250 MICROINCHES)
2 PLACE FINISH 3 MICRONS (125 MICROINCHES)
3 PLACE FINISH 1.6 MICRONS (63 MICROINCHES)

| REV | REV BY | REV DATE | CHK BY | DESCRIPTION |
|-----|--------|----------|--------|-------------|
| | | | | |



| | | | |
|--|------------------|-----------------------------|-------------------|
| TOOL NAME POWERFLEX 525 PANEL BOX SINGLE - 5HP NO I/O | | | |
| DRAWN BY cmcwilliams | DATE 09-24-15 | LAST EDIT BY cmcwilliams | ENG APPROVAL |
| SHEET 3 | OF 4 | FILE NAME | SO2243 5HP SINGLE |
| SCALE | | | |

