

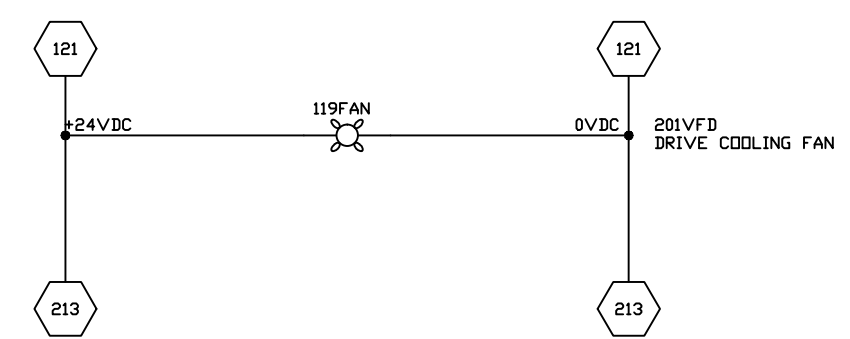
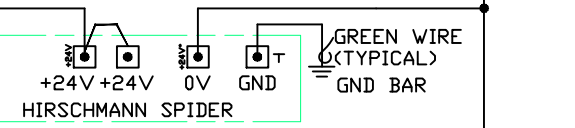
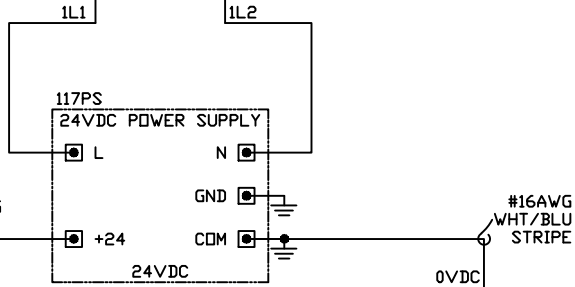
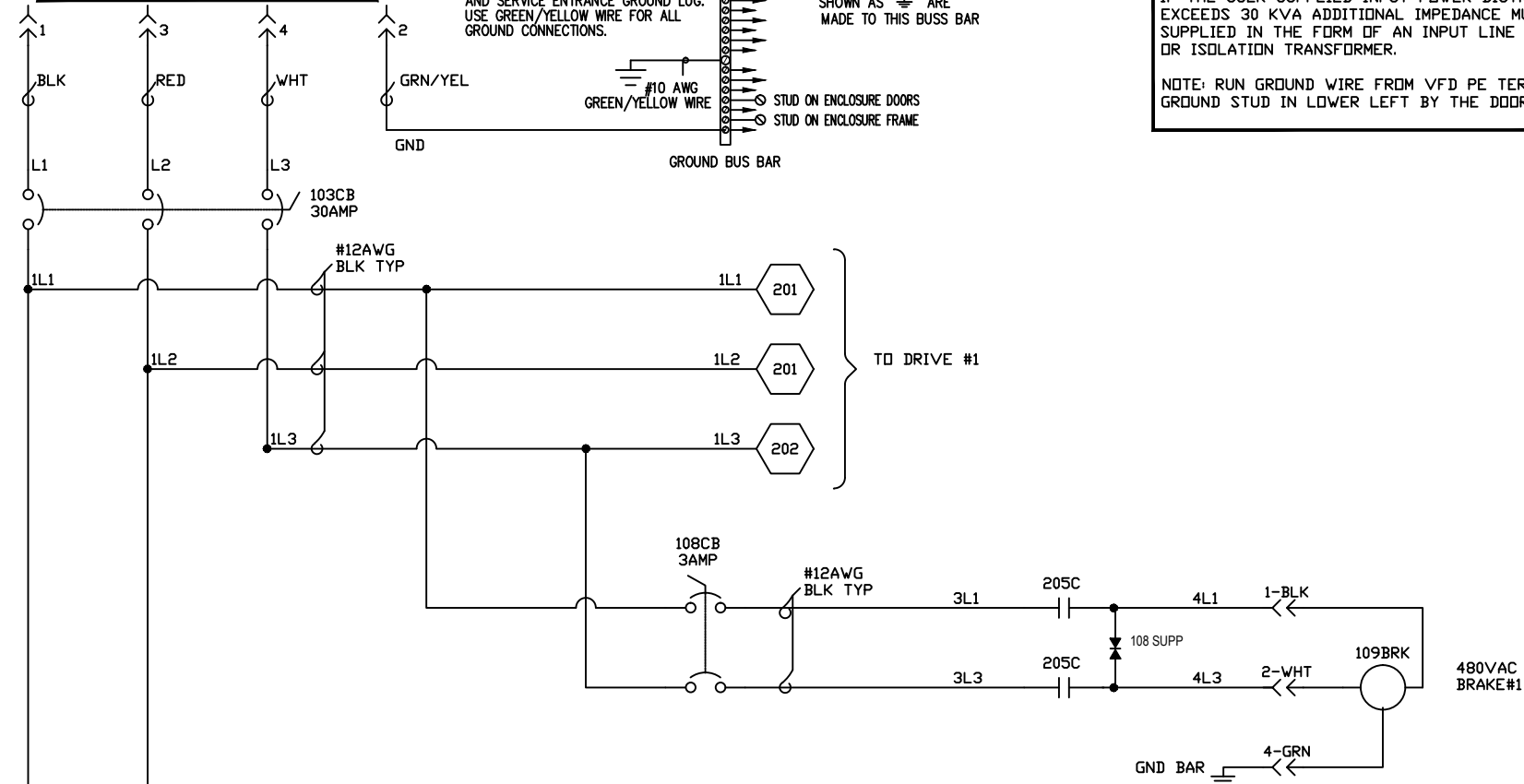
100
101
102
103
104
105
106
107
108
109
110
111
112
113
114
115
116
117
118
119
120
121
122

FROM CUSTOMER 480VAC, 3-PHASE, 60HZ WYE CONNECTED POWER DISTRIBUTION WITH SOLIDLY GROUNDED NEUTRAL.

NOTE: REMOVE PAINT FROM SUBPLATE AND SERVICE ENTRANCE GROUND LUG. USE GREEN/YELLOW WIRE FOR ALL GROUND CONNECTIONS.

NOTE: ALL CONNECTIONS SHOWN SHOWN AS \oplus ARE MADE TO THIS BUSS BAR

NOTE: IF THE USER SUPPLIED INPUT POWER DISTRIBUTION EXCEEDS 30 KVA ADDITIONAL IMPEDANCE MUST BE SUPPLIED IN THE FORM OF AN INPUT LINE REACTOR OR ISOLATION TRANSFORMER.
NOTE: RUN GROUND WIRE FROM VFD PE TERMINAL TO CABINET GROUND STUD IN LOWER LEFT BY THE DOOR HINGE.



UNITS ARE MILLIMETERS (i.e.X.XXmm [x.xxx"])
DO NOT SCALE DRAWING

EXCEPT AS NOTED
DECIMAL TOL. SHALL BE:
0 PLACE (FRACTIONS) $\pm .400$ [1/64"]
1 PLACE $\pm .200$ [0.010"]
2 PLACE $\pm .100$ [0.005"]
3 PLACE $\pm .010$ [0.0005"]
ALL DOWEL LOC ± 0.010 [0.0005"] BETWEEN HOLES

EXCEPT AS NOTED, MAXIMUM ALLOWABLE ROUGHNESS SHALL BE:
1 PLACE FINISH 6 MICRONS (250 MICROINCHES)
2 PLACE FINISH 3 MICRONS (125 MICROINCHES)
3 PLACE FINISH 1.6 MICRONS (63 MICROINCHES)

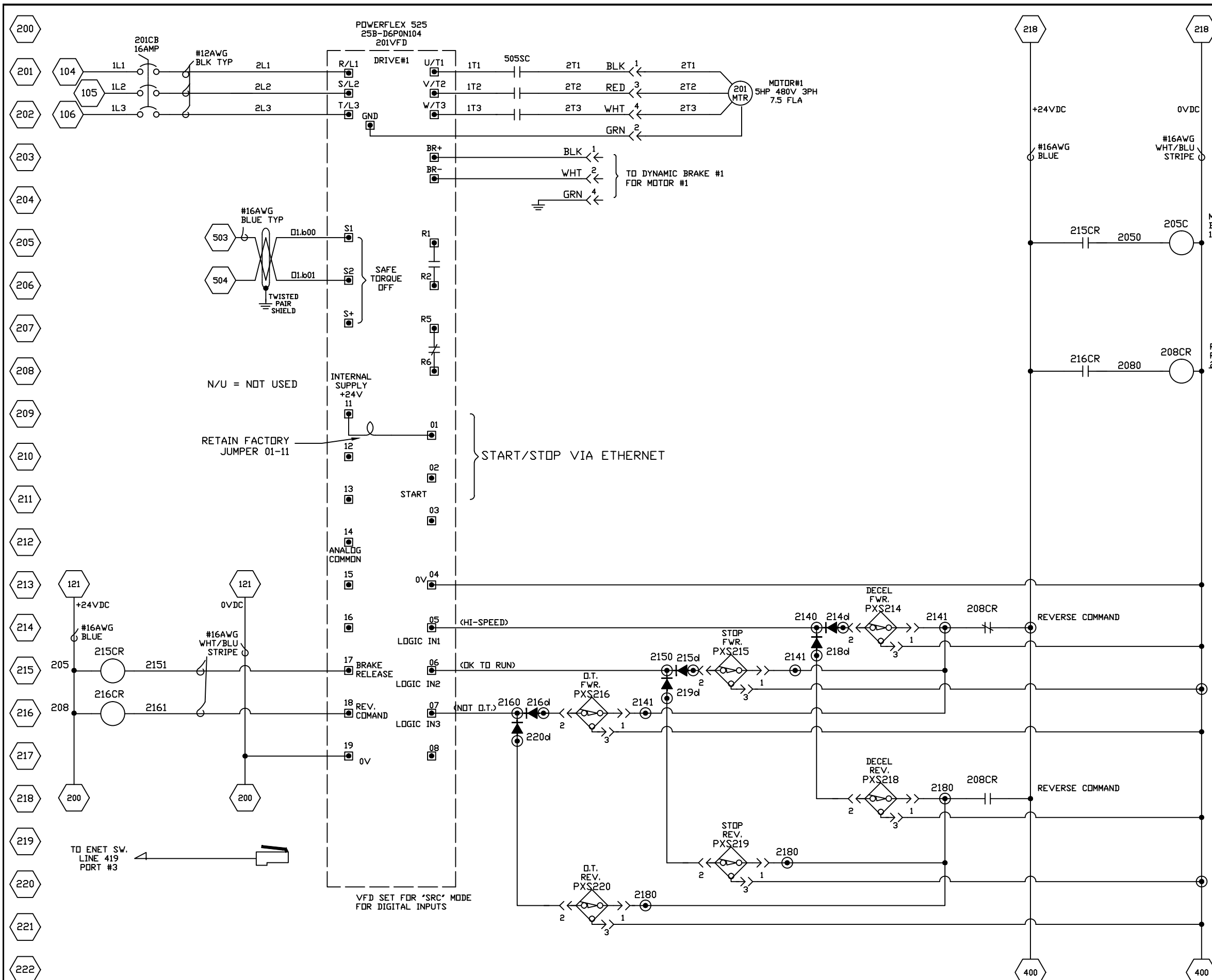
REV	REV BY	REV DATE	CHK BY	DESCRIPTION

WELKER BEARING COMPANY

TOOL NAME
POWERFLEX 525 PANEL BOX SINGLE - 5HP

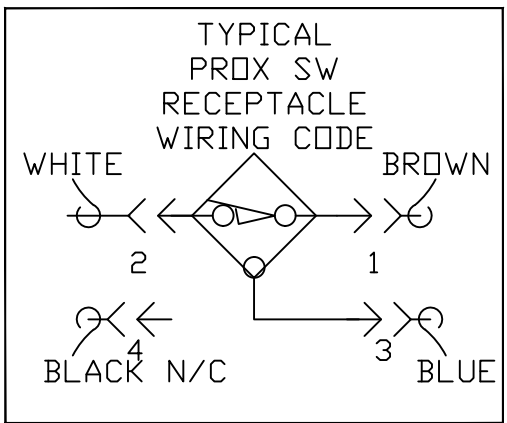
DRAWN BY cmcwilliams	DATE 06-24-15	LAST EDIT BY cmcwilliams	ENG APPROVAL
SHEET 1	OF 6	FILE NAME INS-SO2242	5HP SINGLE

SCALE



TO DRIVE
 TO PXS 214d → ○ 2140
 PINS 218d → ○ 2140
 JUMPER
 1492SJ5B10

DIODE TERMINALS
 POLARITY MUST BE
 AS SHOWN



UNITS ARE MILLIMETERS
 (i.e.X.XXmm [x.xxx"])
 DO NOT SCALE DRAWING

EXCEPT AS NOTED
 DECIMAL TOL. SHALL BE:
 0 PLACE (FRACTIONS) ± .400 [1/64"]
 1 PLACE ± .200 [0.010"]
 2 PLACE ± .100 [0.005"]
 3 PLACE ± .010 [0.0005"]
 ALL DOWEL LOC ± 0.010 [0.0005"]
 BETWEEN HOLES

EXCEPT AS NOTED, MAXIMUM
 ALLOWABLE ROUGHNESS SHALL BE:
 1 PLACE FINISH 6 MICRONS (250 MICROINCHES)
 2 PLACE FINISH 3 MICRONS (125 MICROINCHES)
 3 PLACE FINISH 1.6 MICRONS (63 MICROINCHES)

WEKER BEARING COMPANY			
TOOL NAME POWERFLEX 525 PANEL BOX SINGLE - 5HP			
DRAWN BY cmcwilliams	DATE 06-24-15	LAST EDIT BY cmcwilliams	ENG APPROVAL
SHEET 2	OF 6	FILE NAME	INS-SO2242 5HP SINGLE
SCALE			

REV	REV BY	REV DATE	CHK BY	DESCRIPTION	REV	REV BY	REV DATE	CHK BY	DESCRIPTION
					A		4-29-2016		ADDED WIRE#S 2151,2161, & DIODE INSIDE TERMS

SPARE SHEET

THIS SHEET INTENTIONALLY BLANK

UNITS ARE MILLIMETERS
(i.e.X.XXmm [x.xxx"])
DO NOT SCALE DRAWING

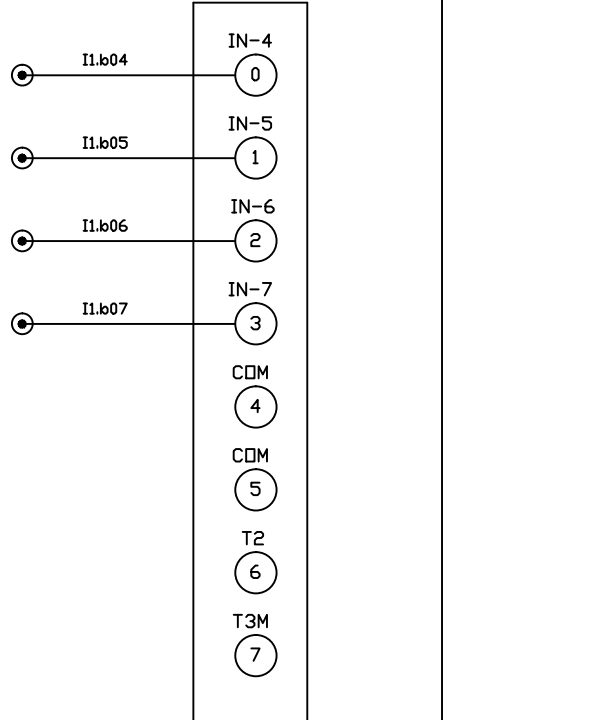
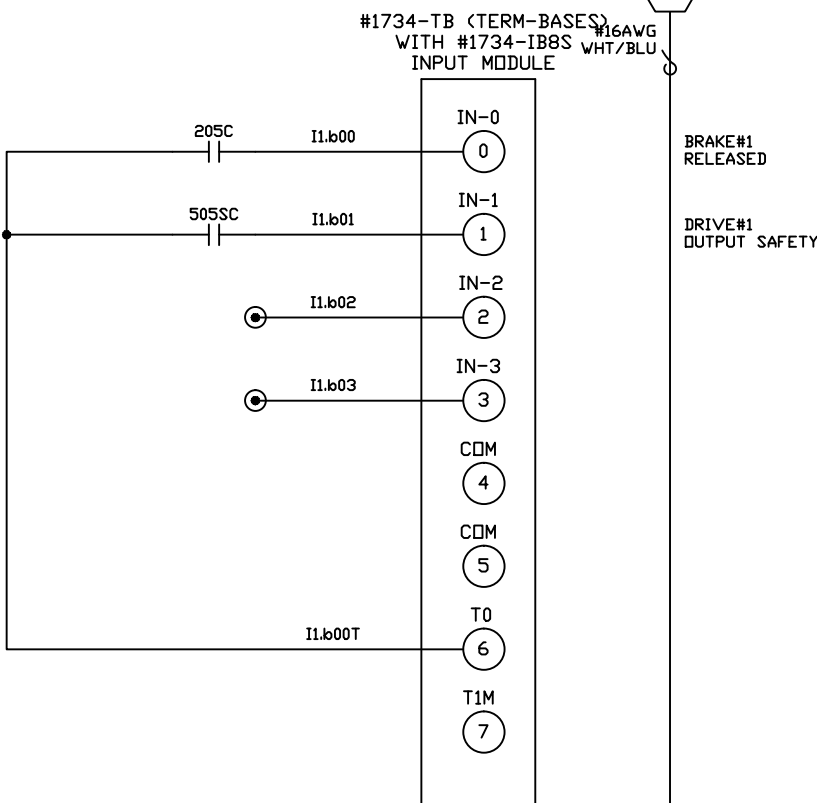
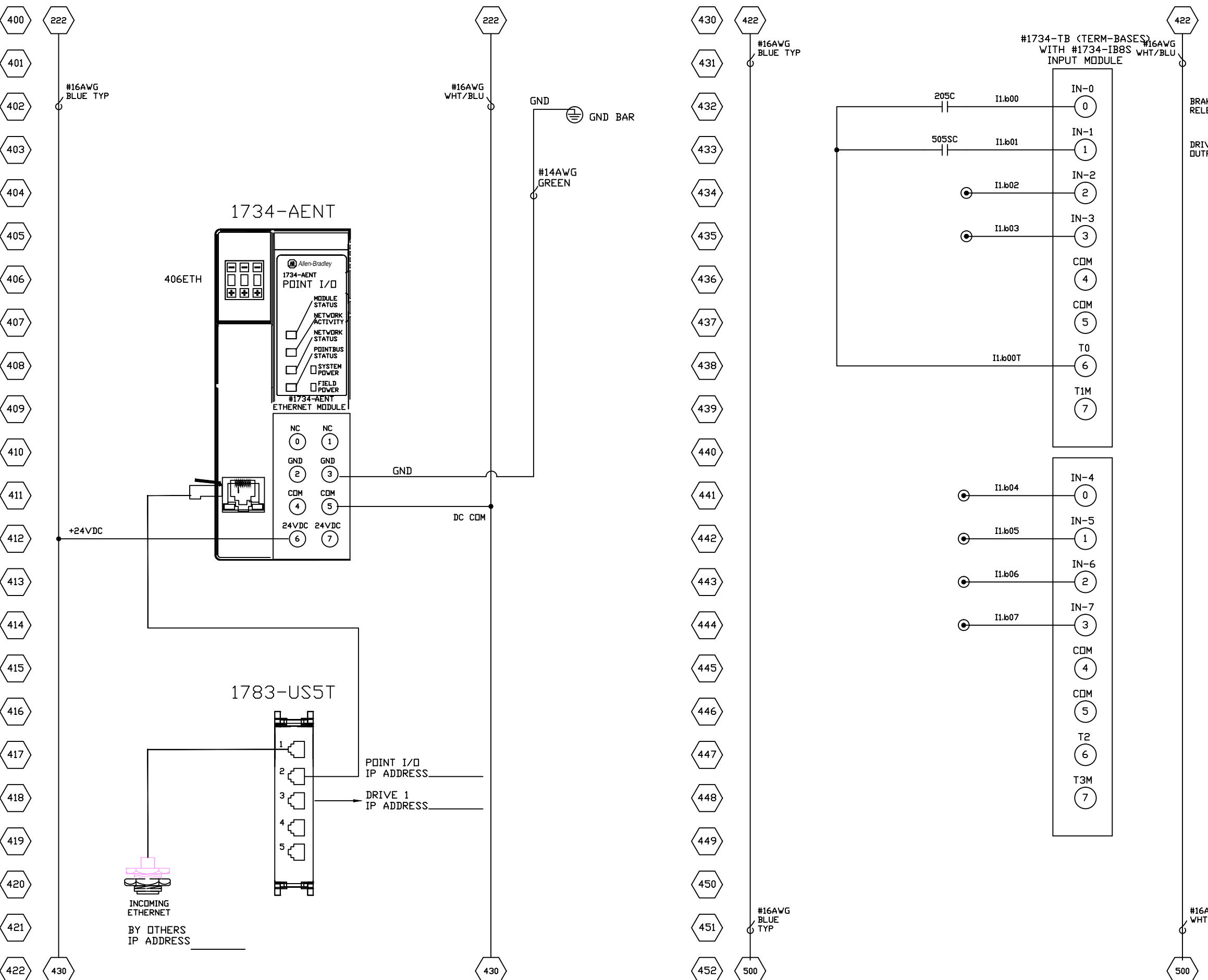
EXCEPT AS NOTED
DECIMAL TOL. SHALL BE:
0 PLACE (FRACTIONS) ± .400 [1/64"]
1 PLACE ± .200 [0.010"]
2 PLACE ± .100 [0.005"]
3 PLACE ± .010 [0.0005"]
ALL DOWEL LOC± 0.010[.0005"]
BETWEEN HOLES

EXCEPT AS NOTED, MAXIMUM
ALLOWABLE ROUGHNESS SHALL BE:
1 PLACE FINISH 6 MICRONS (250 MICROINCHES)
2 PLACE FINISH 3 MICRONS (125 MICROINCHES)
3 PLACE FINISH 1.6 MICRONS (63 MICROINCHES)

REV	REV BY	REV DATE	CHK BY	DESCRIPTION



TOOL NAME POWERFLEX 525 PANEL BOX SINGLE - 5HP			
DRAWN BY cmcwilliams	DATE 06-24-15	LAST EDIT BY cmcwilliams	ENG APPROVAL
SHEET 3	OF 6	FILE NAME INS-SO2242 5HP SINGLE	
SCALE			



UNITS ARE MILLIMETERS
(i.e.X.XXmm [x.xxx"])
DO NOT SCALE DRAWING

EXCEPT AS NOTED
DECIMAL TOL. SHALL BE:
0 PLACE (FRACTIONS) ± .400 [1/64"]
1 PLACE ± .200 [0.010"]
2 PLACE ± .100 [0.005"]
3 PLACE ± .010 [0.0005"]
ALL DOWEL LOC ± 0.010 [0.0005"]
BETWEEN HOLES

EXCEPT AS NOTED, MAXIMUM
ALLOWABLE ROUGHNESS SHALL BE:
1 PLACE FINISH 6 MICRONS (250 MICROINCHES)
2 PLACE FINISH 3 MICRONS (125 MICROINCHES)
3 PLACE FINISH 1.6 MICRONS (63 MICROINCHES)

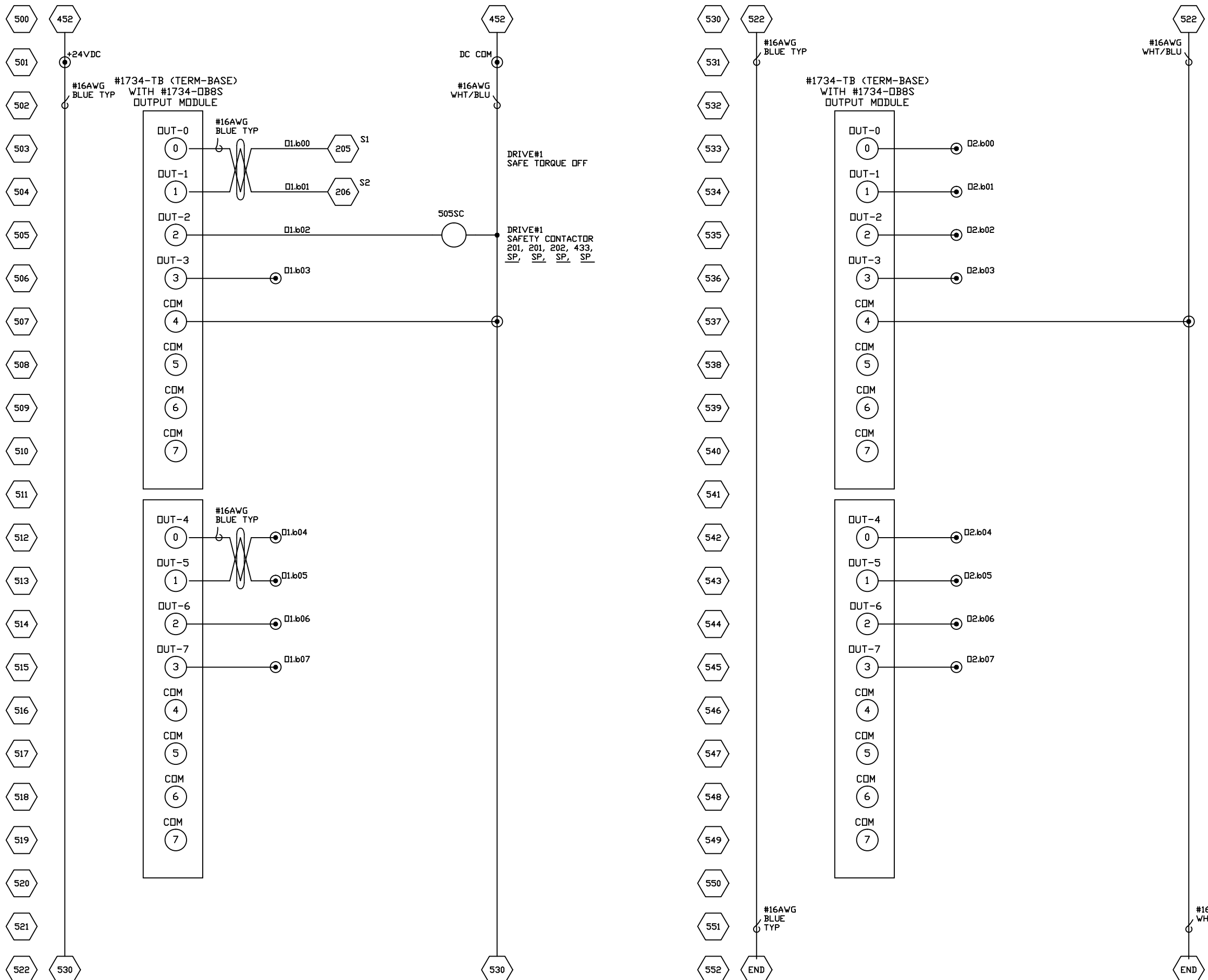
REV	REV BY	REV DATE	CHK BY	DESCRIPTION
A		2/19/2016		UPDATED CROSS REF HEX'S

WEKER BEARING COMPANY

TOOL NAME
POWERFLEX 525 PANEL BOX SINGLE - 5HP

DRAWN BY cmcwilliams	DATE 06-24-15	LAST EDIT BY cmcwilliams	ENG APPROVAL
SHEET 4	OF 6	FILE NAME	INS-SO2242 5HP SINGLE

SCALE



UNITS ARE MILLIMETERS
(i.e.X.XXmm [x.xxx"])
DO NOT SCALE DRAWING

WEKER BEARING COMPANY

TOOL NAME
POWERFLEX 525 PANEL BOX SINGLE - 5HP

DRAWN BY cmcwilliams	DATE 06-24-15	LAST EDIT BY cmcwilliams	ENG APPROVAL
SHEET 5	OF 6	FILE NAME	INS-SO2242 5HP SINGLE

SCALE

EXCEPT AS NOTED
DECIMAL TOL. SHALL BE:
0 PLACE (FRACTIONS) ± .400 [1/64"]
1 PLACE ± .200 [0.010"]
2 PLACE ± .100 [0.005"]
3 PLACE ± .010 [0.0005"]
ALL DOWEL LOC± 0.010[.0005"]
BETWEEN HOLES

EXCEPT AS NOTED, MAXIMUM
ALLOWABLE ROUGHNESS SHALL BE:
1 PLACE FINISH 6 MICRONS (250 MICROINCHES)
2 PLACE FINISH 3 MICRONS (125 MICROINCHES)
3 PLACE FINISH 1.6 MICRONS (63 MICROINCHES)

REV	REV BY	REV DATE	CHK BY	DESCRIPTION
A		2/19/2016		UPDATED CROSS REF HEX'S

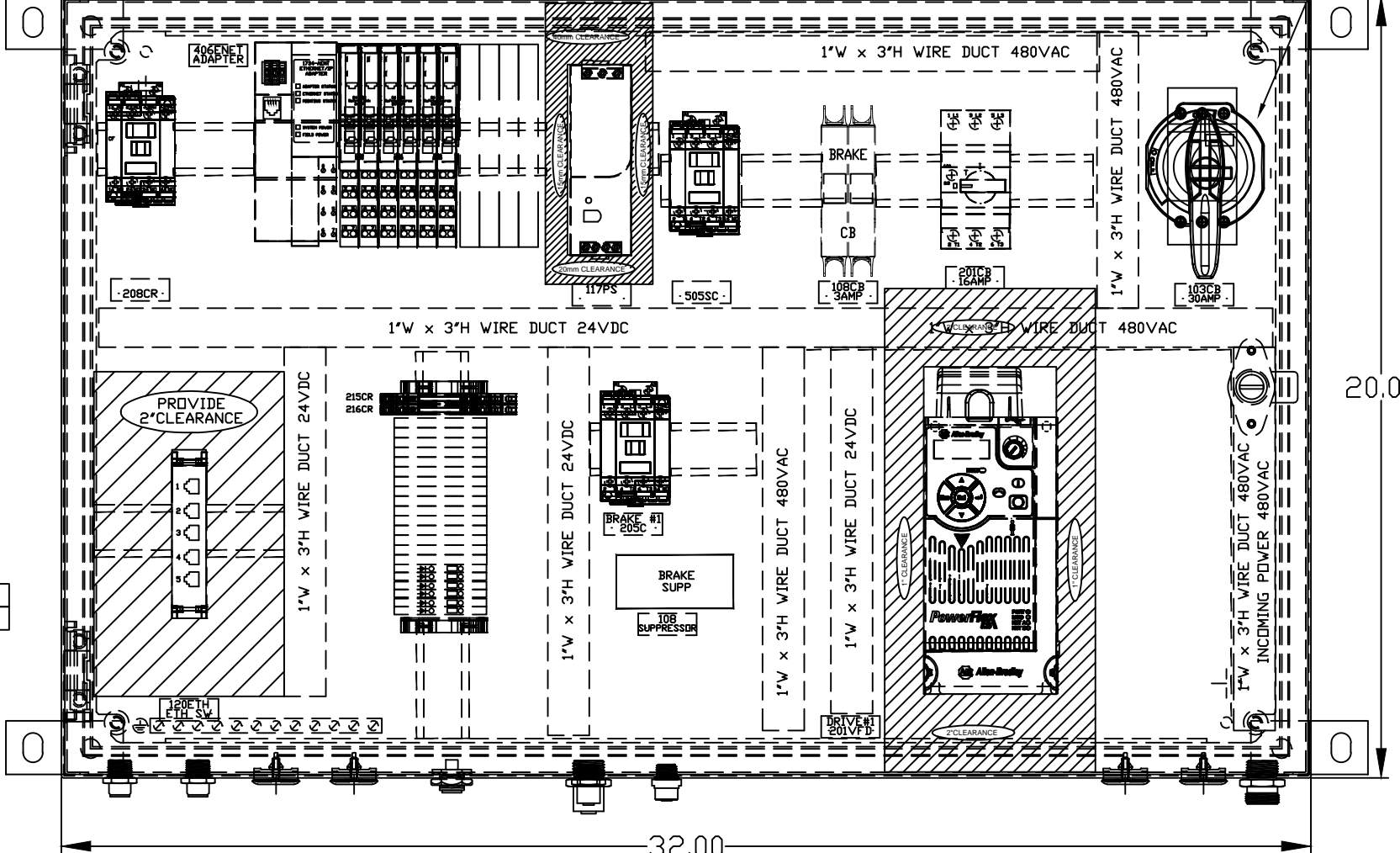
3-BRADY TAGS MOUNTED ON DOOR FRONT NEAR DISCONNECT SWITCH

BRADY 101950 STICKER
WARNING
 Arc Flash And Shock Hazard
 Appropriate PPE Required
 Do not operate controls or open covers without appropriate personal protection equipment. Failure to comply may result in injury or death.
 Refer to NFPA 70E for minimum PPE requirements.

WHITE LETTERS ON RED BACKGROUND
 BRADY Y1200559 STICKER
WARNING
 DISCONNECT POWER BEFORE WORKING WITHIN

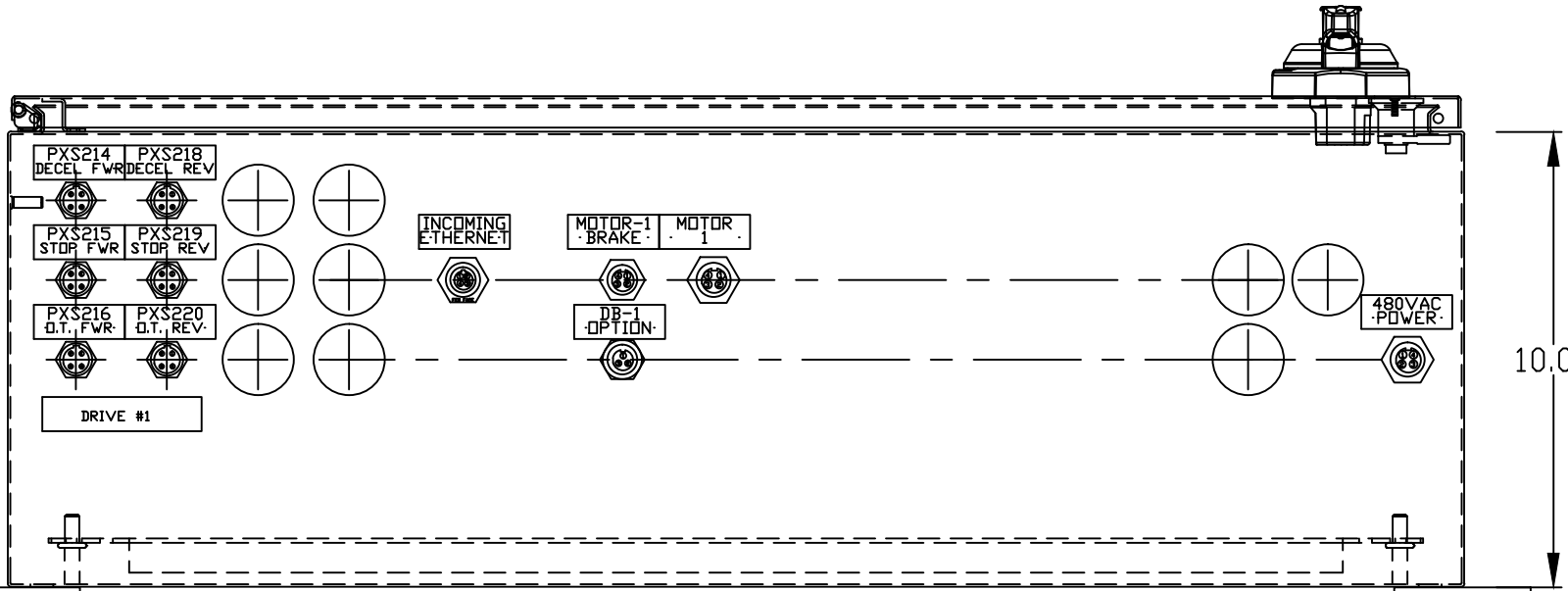
WHITE LETTERS ON RED BACKGROUND
 BRADY Y1200590 STICKER
480 VAC

LOCKABLE DISCONNECT



215CR	
216CR	
+24VDC	OVDC
+24VDC	OVDC
+24VDC	OVDC
2180	2141
2180	2141
SPARE	SPARE
SPARE	SPARE
I1.B04	O2.B00
I1.B05	O2.B01
I1.B06	O2.B02
I1.B07	O2.B03
	O2.B04
	O2.B05
O1.B03	O2.B06
O1.B07	O2.B07
214d	2140
218d	2140
215d	2150
219d	2150
216d	2160
220d	2160

(15)DOUBLE STACK TERM/S
 TOP BOTTOM
 LEVEL LEVEL
 (6) DIODE TERMINALS
 MARKERS EACH SIDE
 AS SHOWN



VFD PARAMETER LISTING

DRIVE NUMBER	PARAMETER NUMBER	PARAMETER NAME	NEW (NON-DEPALUT) VALUE	DATE	INITIALS

SHOP TO APPLY THIS LIST TO INSIDE OF DOOR

WELLS BEARING COMPANY
 TOOL NAME: POWERFLEX 525 PANEL BOX DOUBLE - 5HP
 DRAWN BY: cmcwilliams
 DATE: 06-24-15
 SHEET: 6 OF 6
 SCALE: SO2242 5HP SINGLE

EXCEPT AS NOTED DECIMAL TOL. SHALL BE:
 0 PLACE (FRACTIONS) ± .400 [1/64"]
 1 PLACE ± .200 [0.010"]
 2 PLACE ± .100 [0.005"]
 3 PLACE ± .010 [0.0005"]
 ALL DOWEL LOC ± 0.010 [0.0005"] BETWEEN HOLES

EXCEPT AS NOTED, MAXIMUM ALLOWABLE ROUGHNESS SHALL BE:
 1 PLACE FINISH 6 MICRONS (250 MICROINCHES)
 2 PLACE FINISH 3 MICRONS (125 MICROINCHES)
 3 PLACE FINISH 1.6 MICRONS (63 MICROINCHES)

REV	REV BY	REV DATE	CHK BY	DESCRIPTION

REV	REV BY	REV DATE	CHK BY	DESCRIPTION
A	JL	4-29-2016		REVD TERMINAL STRIP ADD DIODE TERMS