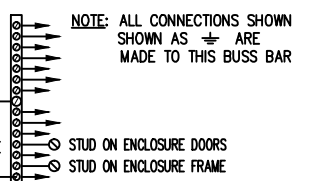


100
101
102
103
104
105
106
107
108
109
110
111
112
113
114
115
116
117
118
119
120
121
122

FROM CUSTOMER 480VAC, 3-PHASE, 60HZ WYE CONNECTED POWER DISTRIBUTION WITH SOLIDLY GROUNDED NEUTRAL.

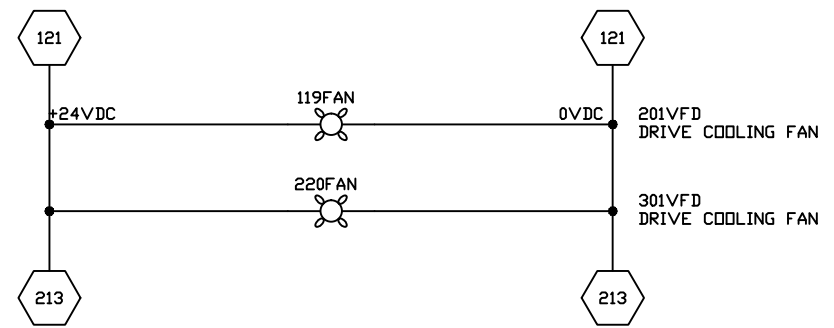
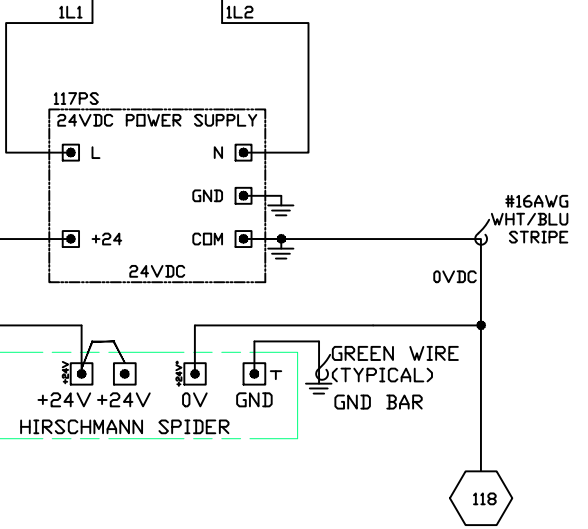
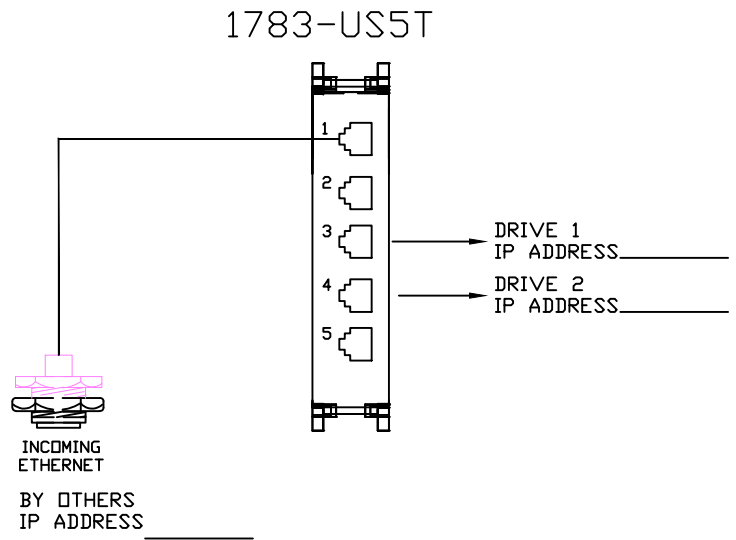
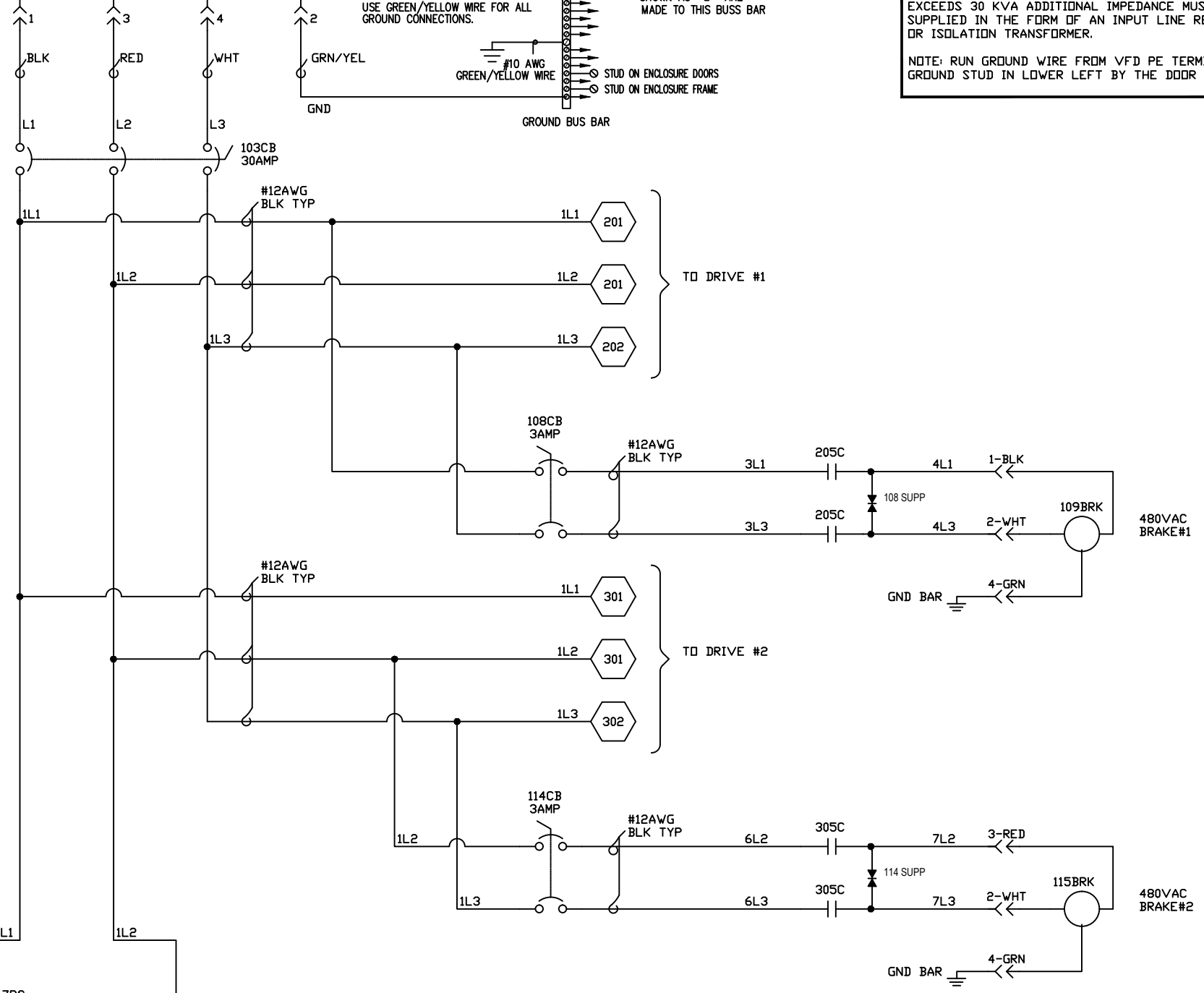
NOTE: REMOVE PAINT FROM SUBPLATE AND SERVICE ENTRANCE GROUND LUG. USE GREEN/YELLOW WIRE FOR ALL GROUND CONNECTIONS.



NOTE: ALL CONNECTIONS SHOWN SHOWN AS \oplus ARE MADE TO THIS BUSS BAR

NOTE: IF THE USER SUPPLIED INPUT POWER DISTRIBUTION EXCEEDS 30 KVA ADDITIONAL IMPEDANCE MUST BE SUPPLIED IN THE FORM OF AN INPUT LINE REACTOR OR ISOLATION TRANSFORMER.

NOTE: RUN GROUND WIRE FROM VFD PE TERMINAL TO CABINET GROUND STUD IN LOWER LEFT BY THE DOOR HINGE.



UNITS ARE MILLIMETERS (i.e.X.XXmm [x.xxx"])
DO NOT SCALE DRAWING

EXCEPT AS NOTED
DECIMAL TOL. SHALL BE:
0 PLACE (FRACTIONS) $\pm .400$ [1/64"]
1 PLACE $\pm .200$ [0.010"]
2 PLACE $\pm .100$ [0.005"]
3 PLACE $\pm .010$ [0.0005"]
ALL DOWEL LOC ± 0.010 [0.0005"]
BETWEEN HOLES

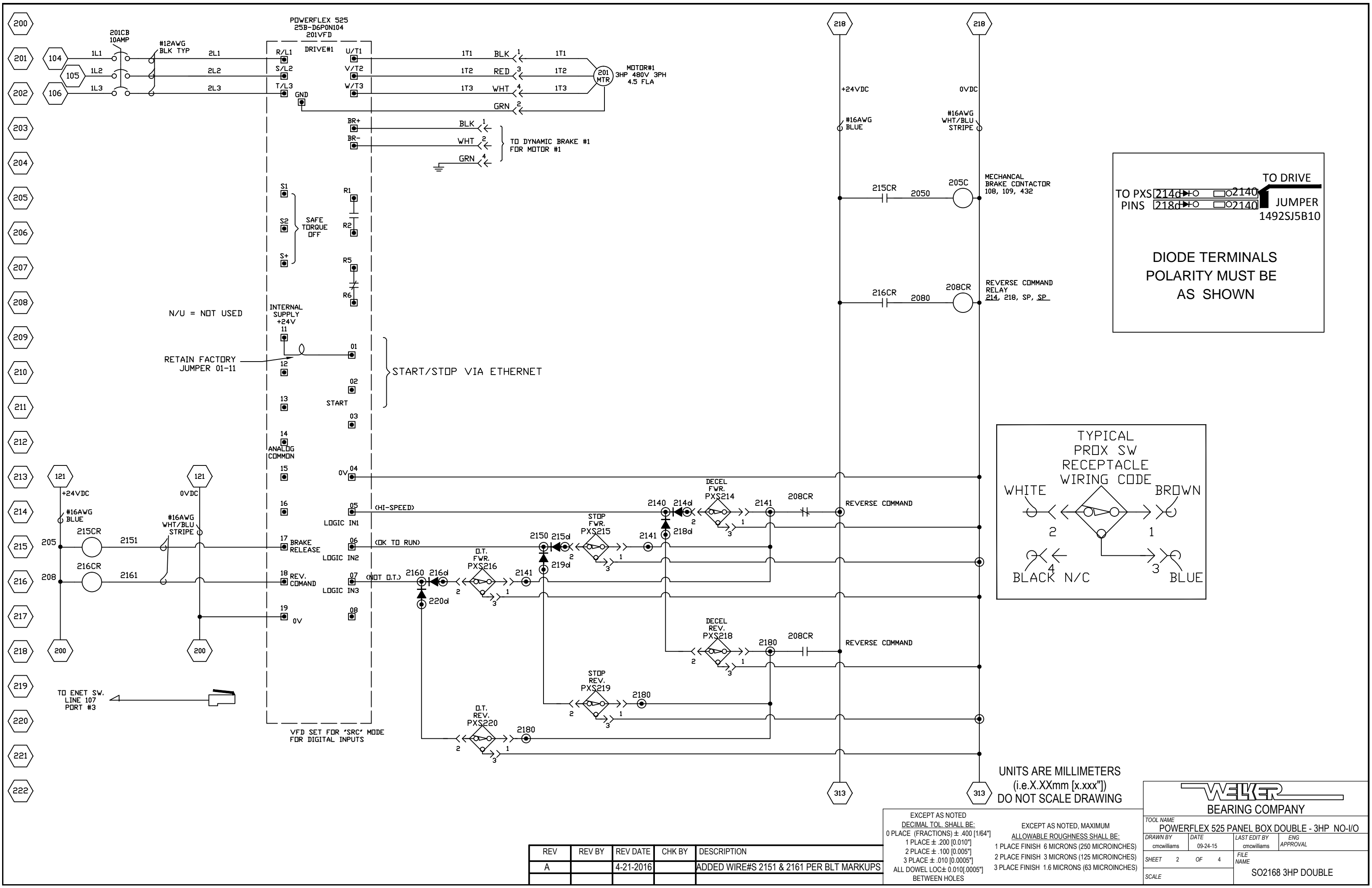
EXCEPT AS NOTED, MAXIMUM ALLOWABLE ROUGHNESS SHALL BE:
1 PLACE FINISH 6 MICRONS (250 MICROINCHES)
2 PLACE FINISH 3 MICRONS (125 MICROINCHES)
3 PLACE FINISH 1.6 MICRONS (63 MICROINCHES)

REV	REV BY	REV DATE	CHK BY	DESCRIPTION

WEKER BEARING COMPANY

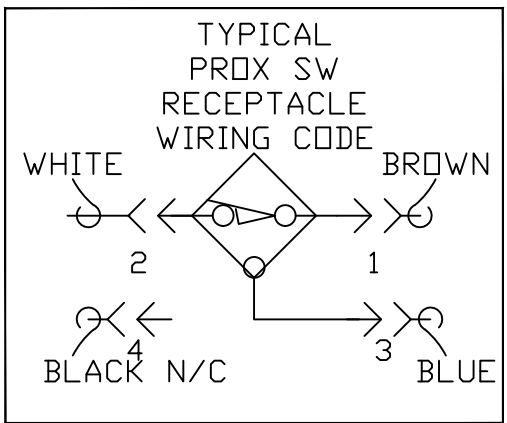
TOOL NAME
POWERFLEX 525 PANEL BOX DOUBLE - 3HP NO-I/O

DRAWN BY cmcwilliams	DATE 09-24-15	LAST EDIT BY cmcwilliams	ENG APPROVAL
SHEET 1	OF 4	FILE NAME	
SCALE	S02168 3HP DOUBLE		



TO DRIVE
 TO PXS 214d+o 2140
 PINS 218d+o 2140 JUMPER
 1492SJ5B10

DIODE TERMINALS
 POLARITY MUST BE
 AS SHOWN



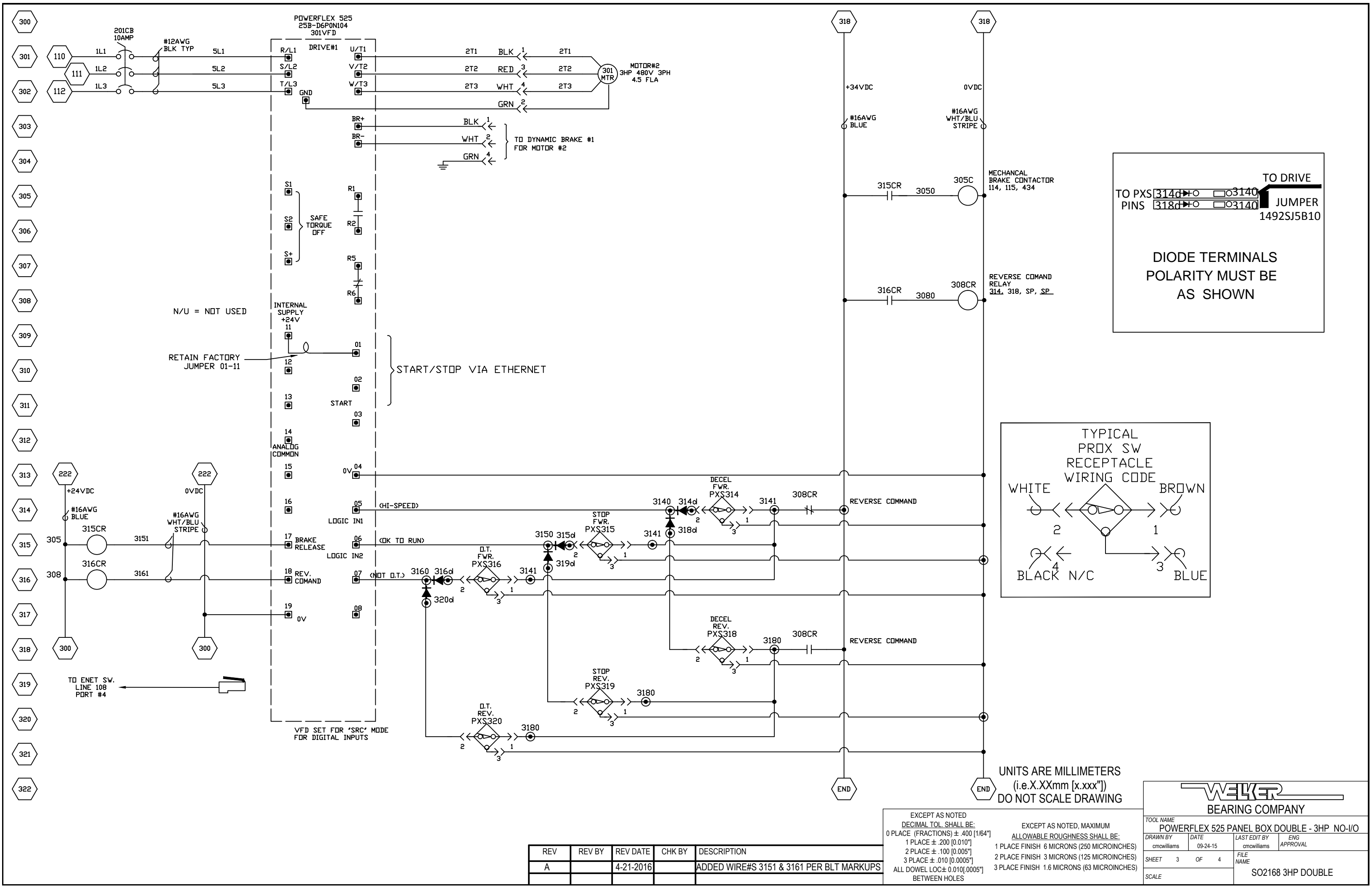
UNITS ARE MILLIMETERS
 (i.e.X.XXmm [x.xxx"])
 DO NOT SCALE DRAWING

EXCEPT AS NOTED
 DECIMAL TOL. SHALL BE:
 0 PLACE (FRACTIONS) ± .400 [1/64"]
 1 PLACE ± .200 [0.010"]
 2 PLACE ± .100 [0.005"]
 3 PLACE ± .010 [0.0005"]
 ALL DOWEL LOC± 0.010[.0005"]
 BETWEEN HOLES

EXCEPT AS NOTED, MAXIMUM
 ALLOWABLE ROUGHNESS SHALL BE:
 1 PLACE FINISH 6 MICRONS (250 MICROINCHES)
 2 PLACE FINISH 3 MICRONS (125 MICROINCHES)
 3 PLACE FINISH 1.6 MICRONS (63 MICROINCHES)

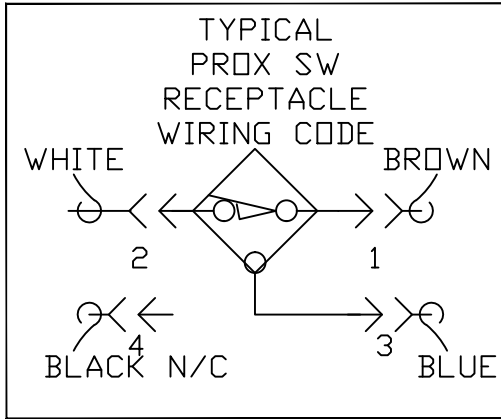
REV	REV BY	REV DATE	CHK BY	DESCRIPTION
A		4-21-2016		ADDED WIRE#S 2151 & 2161 PER BLT MARKUPS

WEKER BEARING COMPANY			
TOOL NAME POWERFLEX 525 PANEL BOX DOUBLE - 3HP NO-I/O			
DRAWN BY cmcwilliams	DATE 09-24-15	LAST EDIT BY cmcwilliams	ENG APPROVAL
SHEET 2	OF 4	FILE NAME	SO2168 3HP DOUBLE
SCALE			



TO DRIVE
 TO PXS 314d + o 3140
 PINS 318d + o 3140 JUMPER
 1492SJ5B10

DIODE TERMINALS
 POLARITY MUST BE
 AS SHOWN



UNITS ARE MILLIMETERS
 (i.e.X.XXmm [x.xxx"])
 DO NOT SCALE DRAWING

EXCEPT AS NOTED
 DECIMAL TOL. SHALL BE:
 0 PLACE (FRACTIONS) ± .400 [1/64"]
 1 PLACE ± .200 [0.010"]
 2 PLACE ± .100 [0.005"]
 3 PLACE ± .010 [0.0005"]
 ALL DOWEL LOC ± 0.010 [0.0005"]
 BETWEEN HOLES

EXCEPT AS NOTED, MAXIMUM
 ALLOWABLE ROUGHNESS SHALL BE:
 1 PLACE FINISH 6 MICRONS (250 MICROINCHES)
 2 PLACE FINISH 3 MICRONS (125 MICROINCHES)
 3 PLACE FINISH 1.6 MICRONS (63 MICROINCHES)

REV	REV BY	REV DATE	CHK BY	DESCRIPTION
A		4-21-2016		ADDED WIRE#S 3151 & 3161 PER BLT MARKUPS

TOOL NAME POWERFLEX 525 PANEL BOX DOUBLE - 3HP NO-I/O			
DRAWN BY cmcwilliams	DATE 09-24-15	LAST EDIT BY cmcwilliams	ENG APPROVAL
SHEET 3	OF 4	FILE NAME	SO2168 3HP DOUBLE
SCALE			

