

Welker's New BES Slide



BES Catalog

Made in Troy, MI,
USA

Introducing a New Belt Driven Slide

Welker's new belt-driven linear slide offers a cost and space-saving alternative to conveyors & screw-driven slides. With faster speeds and lower maintenance requirements, the BES is a great solution for automated motion control, and part placement applications.

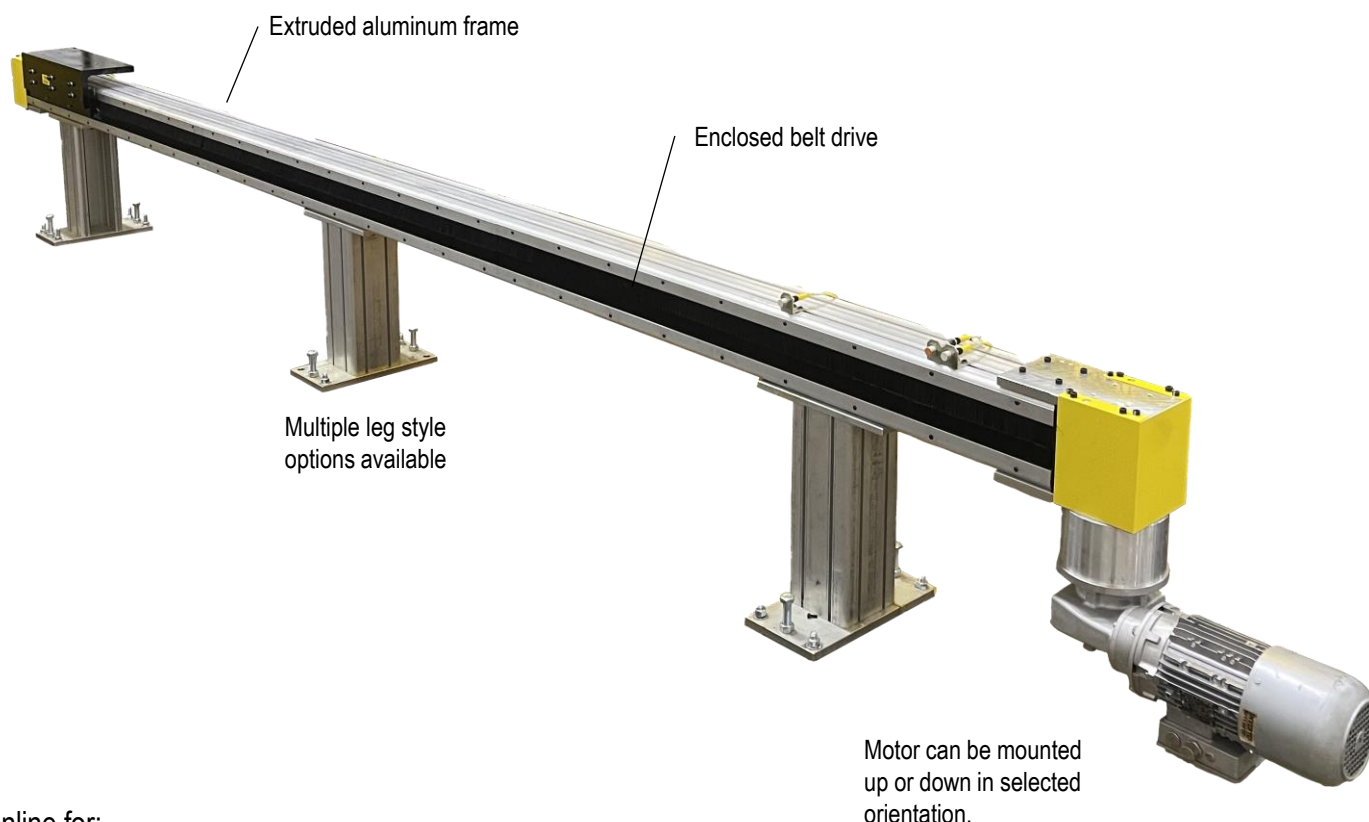
Constructed with an enclosed aluminum extruded frame to protect from contaminants, it is designed with a high-performing, steel-reinforced polyurethane timing belt. This synchronous belt-driven unit includes 35 series linear guides with roller-bearing carriages for increased payload and durability.

Specs:

Max Payload: **360kf [793lb] centered**
Max Recommended Load Size: **900mm x 1200mm**
Max Speed: **0.74m/s [VFD] or 1.0 m/s [Servo]**
Repeatability: **+/- 1.0mm [VFD] or +/- 0.15mm [Servo]**
Standard Stroke Length: **400mm to 8800mm in 400mm increments. (Contact Welker for longer stroke lengths)**

Motor Options:

VFD Motor
Clearpath® Integrated Servo Motor
Customer-specified Motor



Check online for:

- CAD Files
- Sizing Tool
- [BES catalog](#) for index times, ordering string, offset load information, and overall specifications.

ISO 9001:2015 REGISTERED

800.229.0890
248.528.2020

WELKER
ENGINEERED PRODUCTS

Welkerproducts.com

BES-Flyer-1023-2