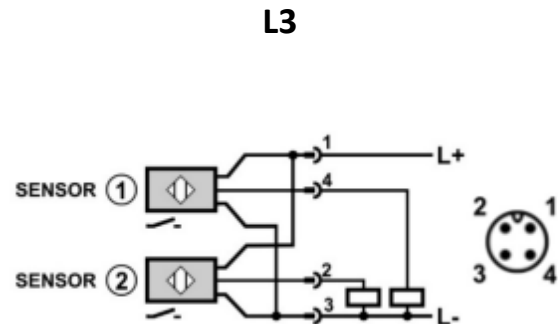
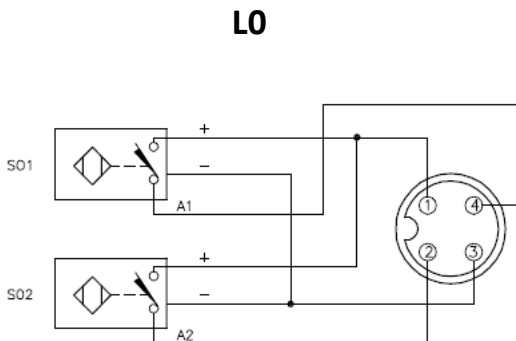


**Technical Bulletin**  
**Cylinder Mounted Switch Comparison 1/19/23**

**Cylinder Mounted Switch Comparison - L0 vs. L3**

Switch Specifications		L0	L3
Electrical Data	Electrical Design	DC PNP	DC PNP
	Operating Voltage	10-30 VDC	10-30 VDC
	Current Consumption	15 mA	<10 mA
Outputs	Output Function	Normally open	Normally open
	Voltage Drop	≤1.8 V	<2.5 V
	Current Rating	≤150mA	100 mA
	Short-circuit protection	Yes	Yes
	Overload Protection	Yes	Yes
	Switching Frequency	1 kHz	9 Hz
	Monitoring Range	Magnetic Sensitivity	data not available
Travel Speed		≤10 m/s	>0.25 m/s
Accuracy	Hysteresis	≤1 mm	<1.5 mm
	Repeatability	≥±0.1 mm	<0.2mm
Reaction Times	Power-on Delay Time	data not available	<30 ms
Environmental	Ambient Temperature	-25°C to +70°C (-13°F to +158°F)	-25°C to +85°C (-13°F to +185°F)
	Protection	IP68	IP65/IP67
	Housing Material	Plastic, PP	Plastic, PA
Display	LED	Yes, yellow	Yes, yellow
Connection	Cable	∅3mm TPU cable, 0.2m length	∅3mm PUR cable, 0.3m length w/weld spray resistant cover
	Connector	M12X1	M12X1

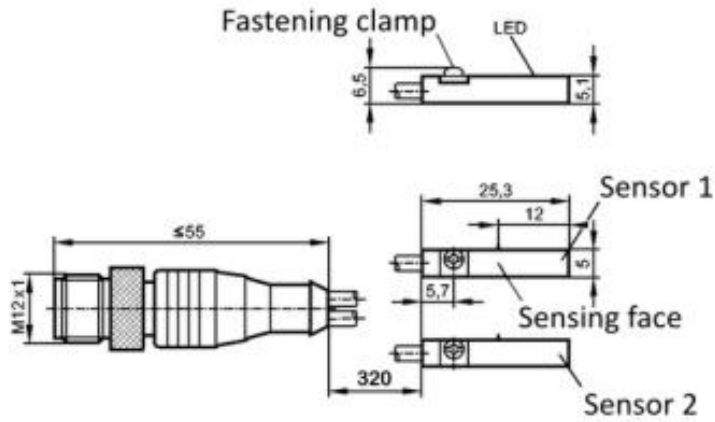
**Wiring Diagram**



**Technical Bulletin**  
**Cylinder Mounted Switch Comparison 1/19/23**

**Drawings**

**L3**



**L0**

