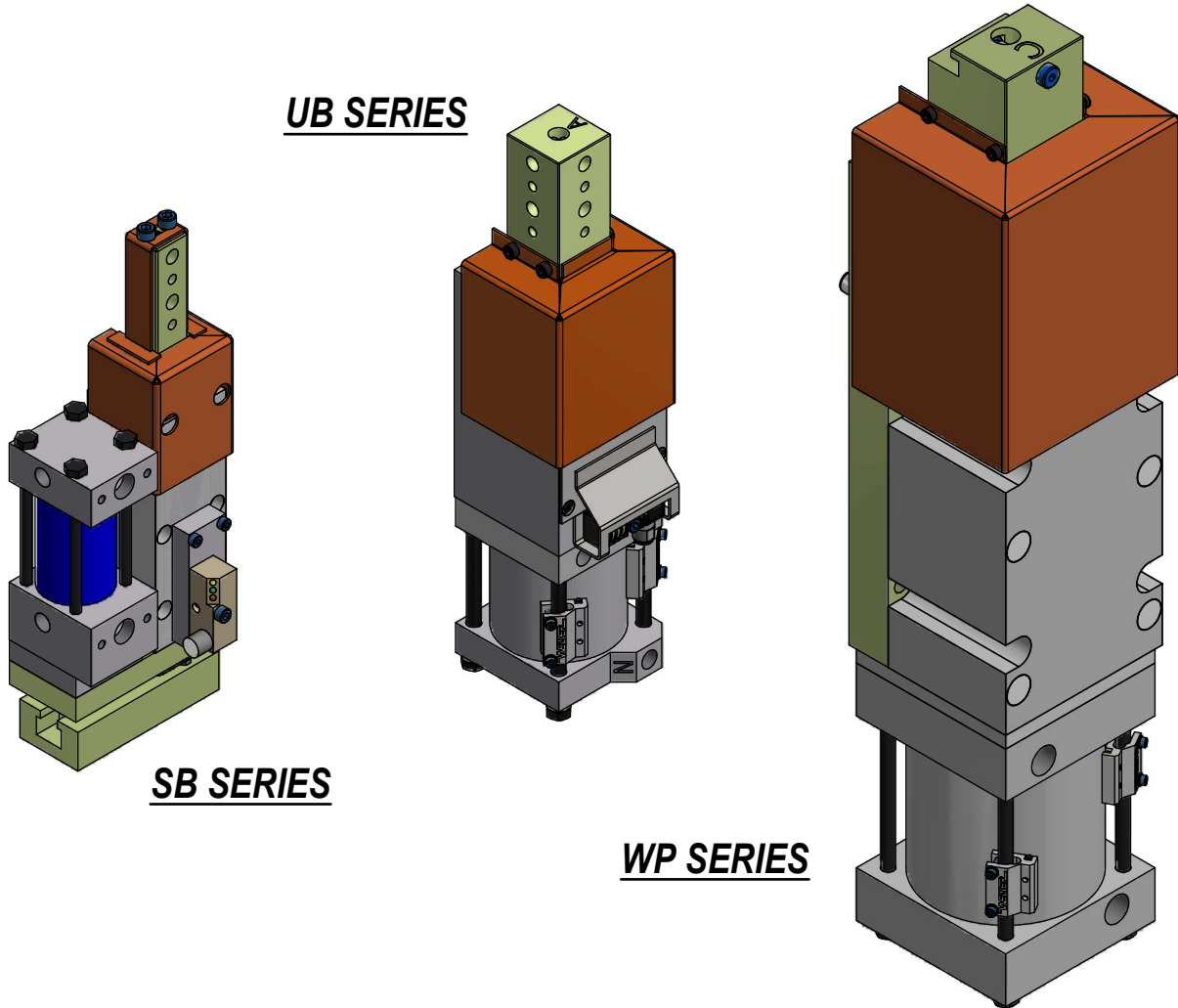




ISO 9001:2015 REGISTERED
ENGINEERED PRODUCTS

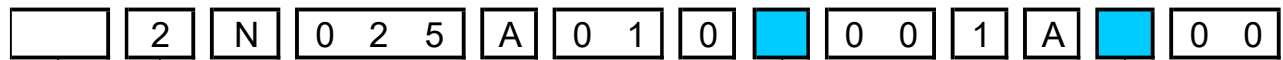
SHOT PIN SUPPLEMENTAL RAM OPTIONS



RELEASED 5/6/24

SB2, UB2, WP2 SUPPLEMENTAL RAM OPTIONS

SPECIAL ORDER ONLY - NOT SUBJECT TO STANDARD PRICE OR DELIVERY



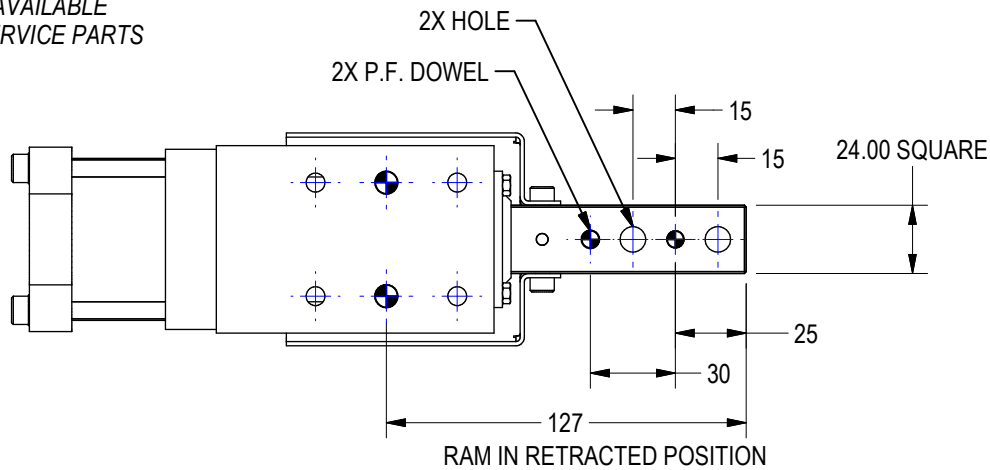
Series
SB
UB
WP

Ram Size
2 24mm Square

Ram Style
See Chart Below

Ram Rotation
0 0° Rotation
9 90° Rotation

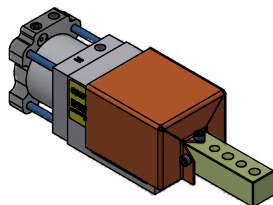
SB2 & WP2 AVAILABLE
ONLY AS SERVICE PARTS



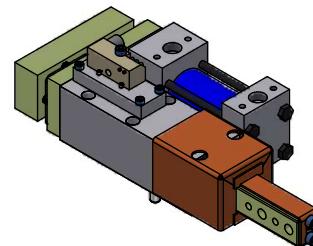
RAM STYLE	DOWELS	HOLES
A	6.0 THRU	9.0 THRU
D*	8.0 THRU	11.0 THRU
E	6.0 THRU	M8 TAPS
G	8.0 THRU	M10 TAP THRU
J	10.0 THRU	11.0 THRU
L*	8.0 THRU	9.0 THRU
M	8.0 THRU	M8 TAP THRU
N	10.0 THRU	M10 TAP THRU

*STANDARD RAM, SEE UNIT CATALOG

NOTE: THREADED HOLES IN NON STANDARD RAMS
MAY FEATURE THREADED INSERTS.



0° RAM ROTATION
OPTION: 0
(UB2 SHOWN)



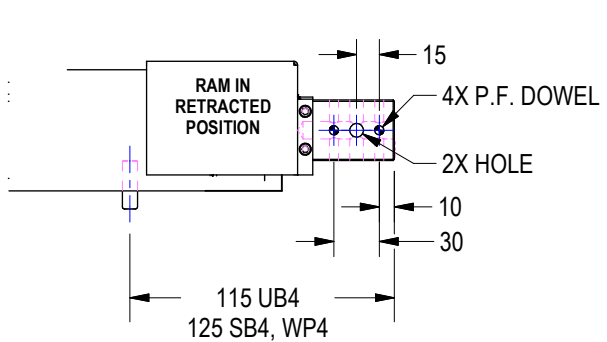
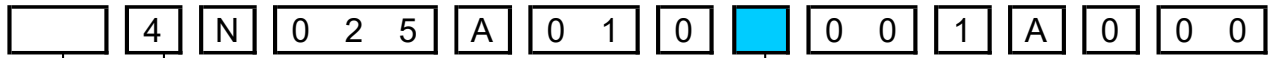
90° RAM ROTATION
OPTION: 9
(SB2 SHOWN)

(DO NOT SCALE DRAWING)

WELKER
ENGINEERED PRODUCTS
800-229-0890 www.welkerproducts.com

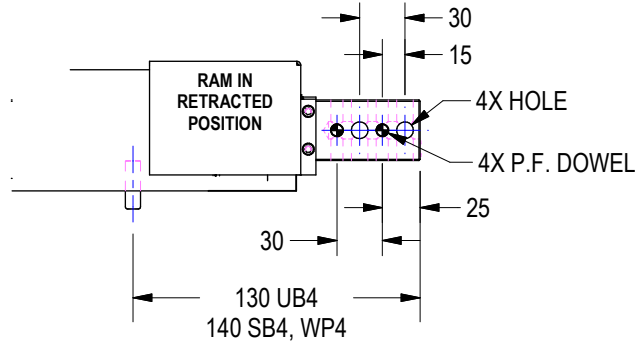
SB4, UB4, WP4 SUPPLEMENTAL RAM OPTIONS

SPECIAL ORDER ONLY - NOT SUBJECT TO STANDARD PRICE OR DELIVERY



3-HOLE RAM OPTION B

RAM STYLE	DOWELS	HOLES
B	6.0mm THRU	9.0 THRU

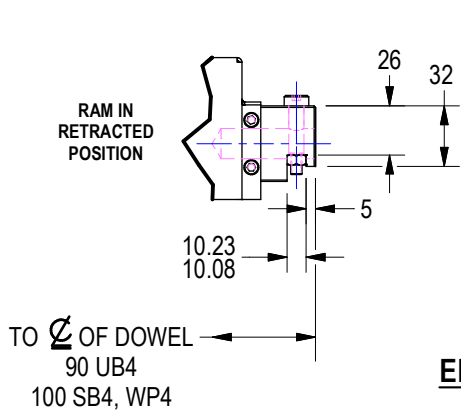


4-HOLE RAM: OPTIONS A, D, E, G, J, L

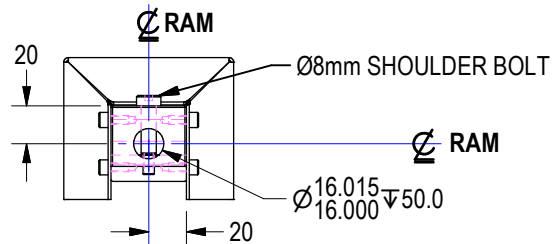
RAM STYLE	DOWELS	HOLES
A*	6.0mm THRU	9mm THRU
D*	8.0mm THRU	11.0mm THRU
E	6.0mm THRU	M8 TAP THRU
G	8.0mm THRU	M10 TAP THRU
J	10.0mm THRU	11.0mm THRU
L*	8.0mm THRU	9.0mm THRU
M	8.0mm THRU	M8 TAP THRU
N	10.0mm THRU	M10 TAP THRU

*STANDARD RAM, SEE UNIT CATALOG
 RAM A IS STANDARD FOR UB4 ONLY

NOTE: THREADED HOLES IN NON STANDARD RAMS MAY FEATURE THREADED INSERTS.



END HOLE RAM: OPTION C

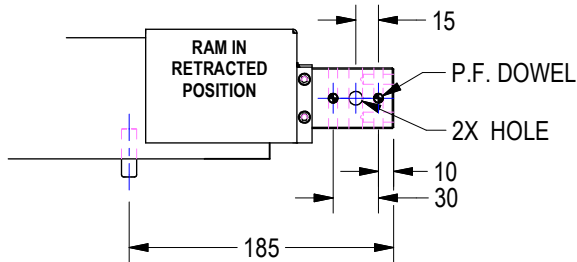
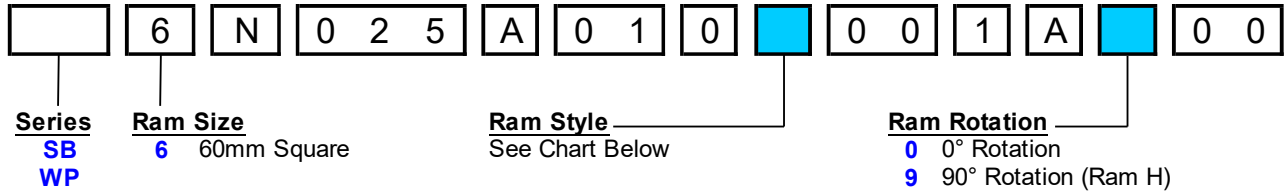


(DO NOT SCALE DRAWING)

WELKER
 ENGINEERED PRODUCTS
 800-229-0890 www.welkerproducts.com

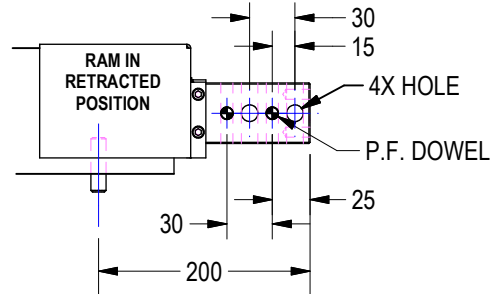
SB6 & WP6 SUPPLEMENTAL RAM OPTIONS

SPECIAL ORDER ONLY - NOT SUBJECT TO STANDARD PRICE OR DELIVERY



3-HOLE RAM OPTION B

RAM STYLE	DOWELS	HOLES
B	8X 6.0mm X 12 DP	9.0 THRU

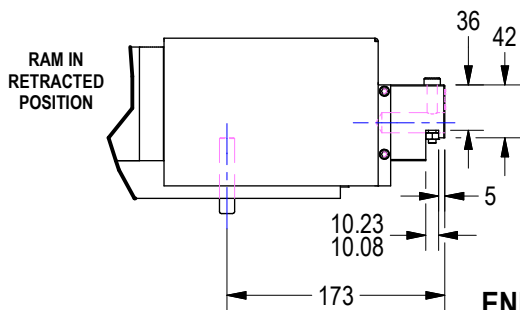


4-HOLE RAM: OPTIONS A, D, E, G, J, L

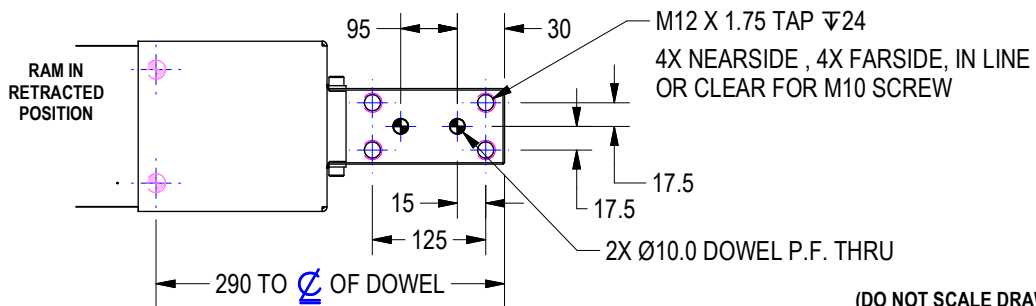
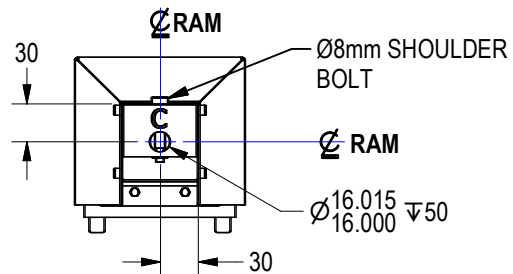
RAM STYLE	DOWELS	HOLES
A	8X 6.0mm X 12mm DP	9mm THRU
D*	4X 8.0mm THRU	11.0mm THRU
E	8X 6.0mm X 12mm DP	M8 TAP THRU
G	4X 8.0mm THRU	M10 TAP THRU
J	4X 10.0mm X 20 DP	11.0mm THRU
L*	8X 8.0mm X 16 DP	9.0mm THRU
M	8X 8.0mm X 16 DP	M8 TAP THRU
N	8X 10.0mm X 16 DP	M10 TAP THRU

*STANDARD RAM, SEE UNIT CATALOG

NOTE: THREADED HOLES IN NON STANDARD RAMS MAY FEATURE THREADED INSERTS.



END HOLE OPTION C



6-HOLE OPTION H ~ WP6 ONLY
(PLAN VIEW, 0° ROTATION SHN)

(DO NOT SCALE DRAWING)

WELKER
ENGINEERED PRODUCTS
800-229-0890 www.welkerproducts.com