

**ORDERING INFORMATION**

S 0 2 3 1 4 - [ ] [ ] [ ] [ ] [ ] G [ ] [ ] [ ] [ ] [ ] 0

**Stroke**

025 25, 50, & 75mm Stroke (Shown)

**Coupler**

A Rap (not available with stop options)  
B Rigid

**Actuator**

01 Pneumatic - Single Rod - NPT  
02 Pneumatic - Single Rod - G Port  
03 Pneumatic - Double Rod - NPT Port (With Extend Stop Option E)  
04 Pneumatic - Double Rod - G Port (With Extend Stop Option E)  
05 Pneumatic - Double Rod - NPT Port (With Extend Stop Option G)  
06 Pneumatic - Double Rod - G Port (With Extend Stop Option G)

**Options**

U Right Hand Side Forward Lever for Manual Use  
V Right Hand Top Forward Lever for Manual Use  
W Left Hand Side Forward Lever for Manual Use  
X Left Hand Top Forward Lever for Manual Use  
Y Right Hand Side Reverse Lever for Manual Use  
Z Left Hand Side Reverse Lever for Manual Use

**Detent**

0 None  
D Detent (Not Available with Actuator 03, 04)

**Handle Option**

0 No Handle  
H Handle

**Port Position**

A P1 Port Position (Shown)  
B P2 Port Position  
C P3 Port Position  
D P4 Port Position

**Shroud**

0 No Shroud  
1 Shroud

**Switch**

00 No Switch  
AE See World Switch Chart

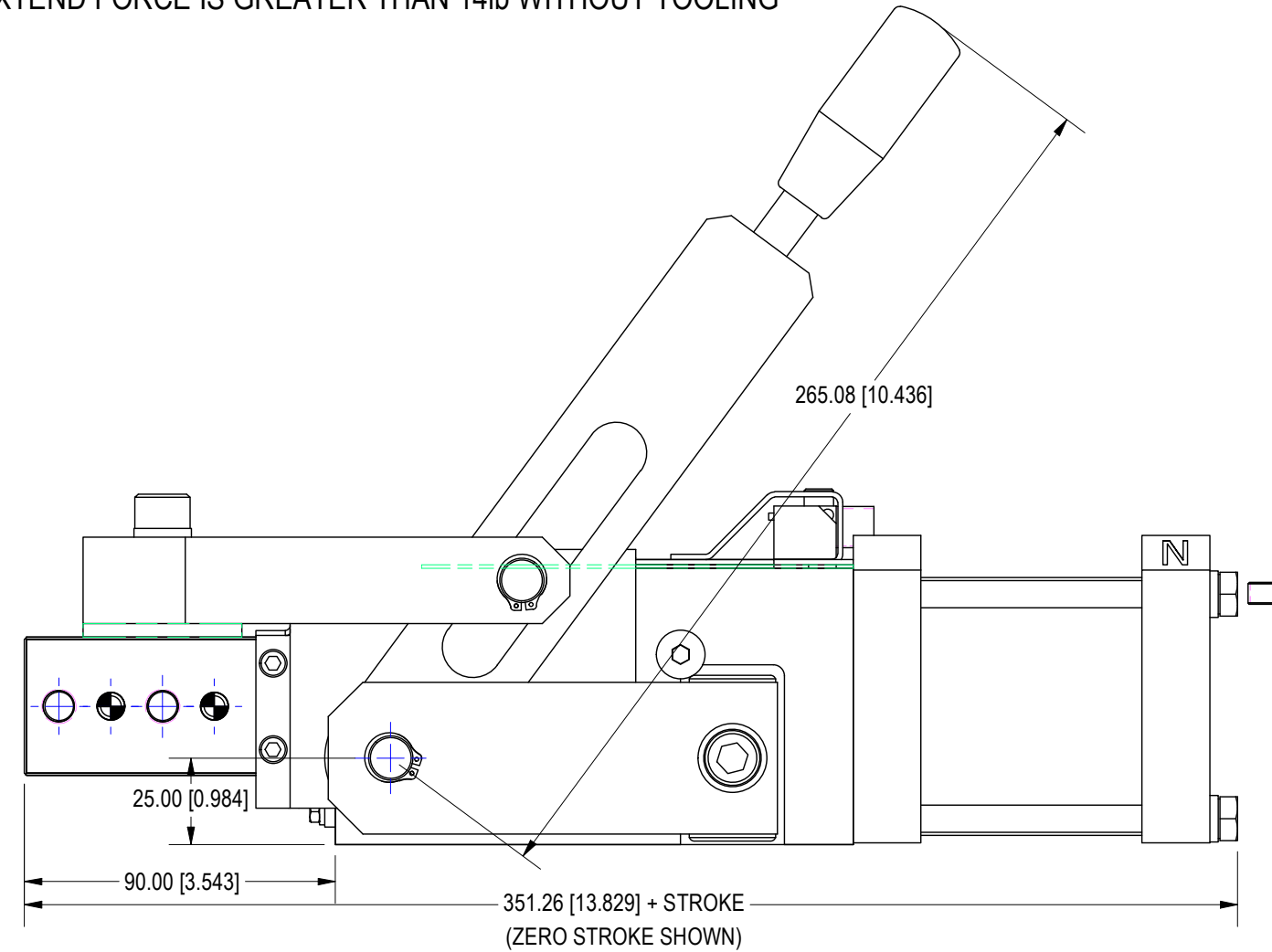
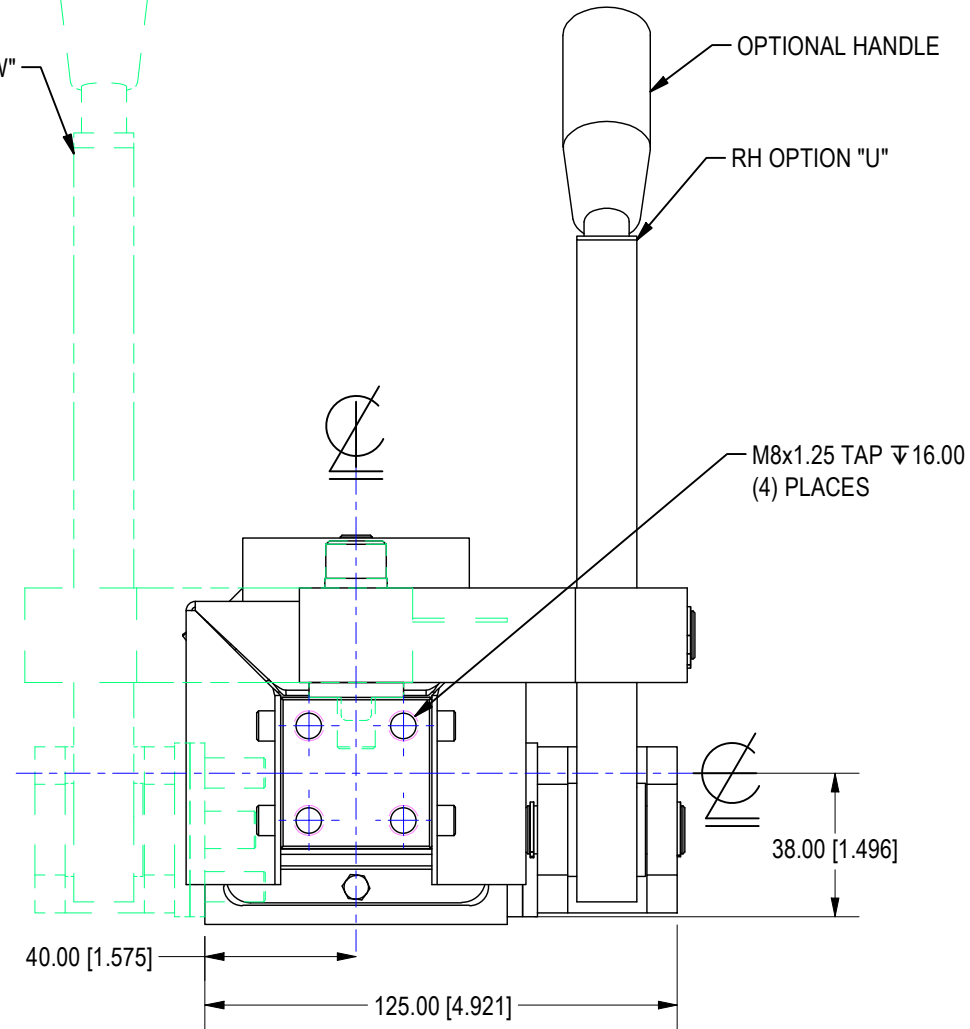
(SHEET 1 of 6)

UNITS ARE MILLIMETERS  
(i.e.X.XXmm [x.xxx"])  
DO NOT SCALE DRAWING

<b>WELKER</b>			
WELKER ENGINEERED PRODUCTS			
DESCRIPTION MANUAL STROKE SHOT PIN			
TEMPLATE			
DRAWN BY KPL	DATE 10/19/2005	REV 2A	REV DATE 10/4/2019
CHANGE DESCRIPTION			
FILE NAME	S02314L01		

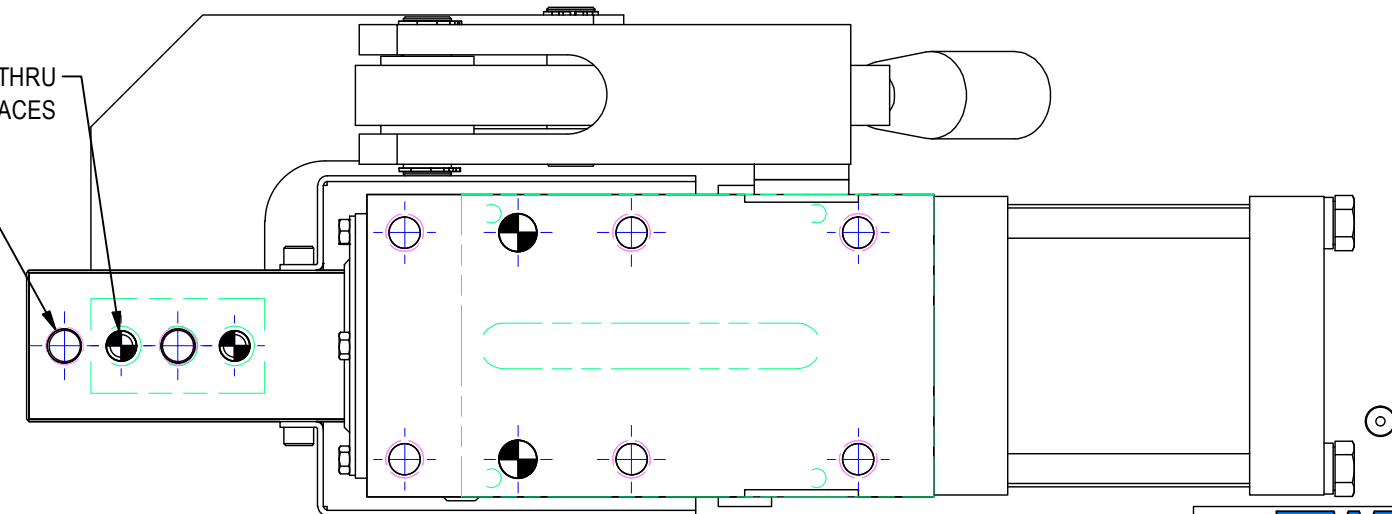
EXTEND FORCE IS GREATER THAN 14lb WITHOUT TOOLING

LH OPTION "W"



Ø8.00 REAM THRU  
(4) PLACES

M10x1.5 TAP THRU  
(4) PLACES



**NOTE:**

MANUAL HANDLE OPTION IS NOT HELD TO INDUSTRY STANDARD TOLERANCES.  
MANUAL UNIT IS NOT INTENDED FOR USE IN GEO SETTING FIXTURES.

**FLOW CONTROLS MUST BE USED**

THIS IS A STANDARD WELKER UB4 SHOT PIN WITH A MANUAL STROKE MODIFICATION ADDED. MAXIMUM STROKE AVAILABLE FOR THIS OPTION IS 75mm. PLEASE REFER TO UB4N CATALOG FOR REMAINING DIMENSIONS

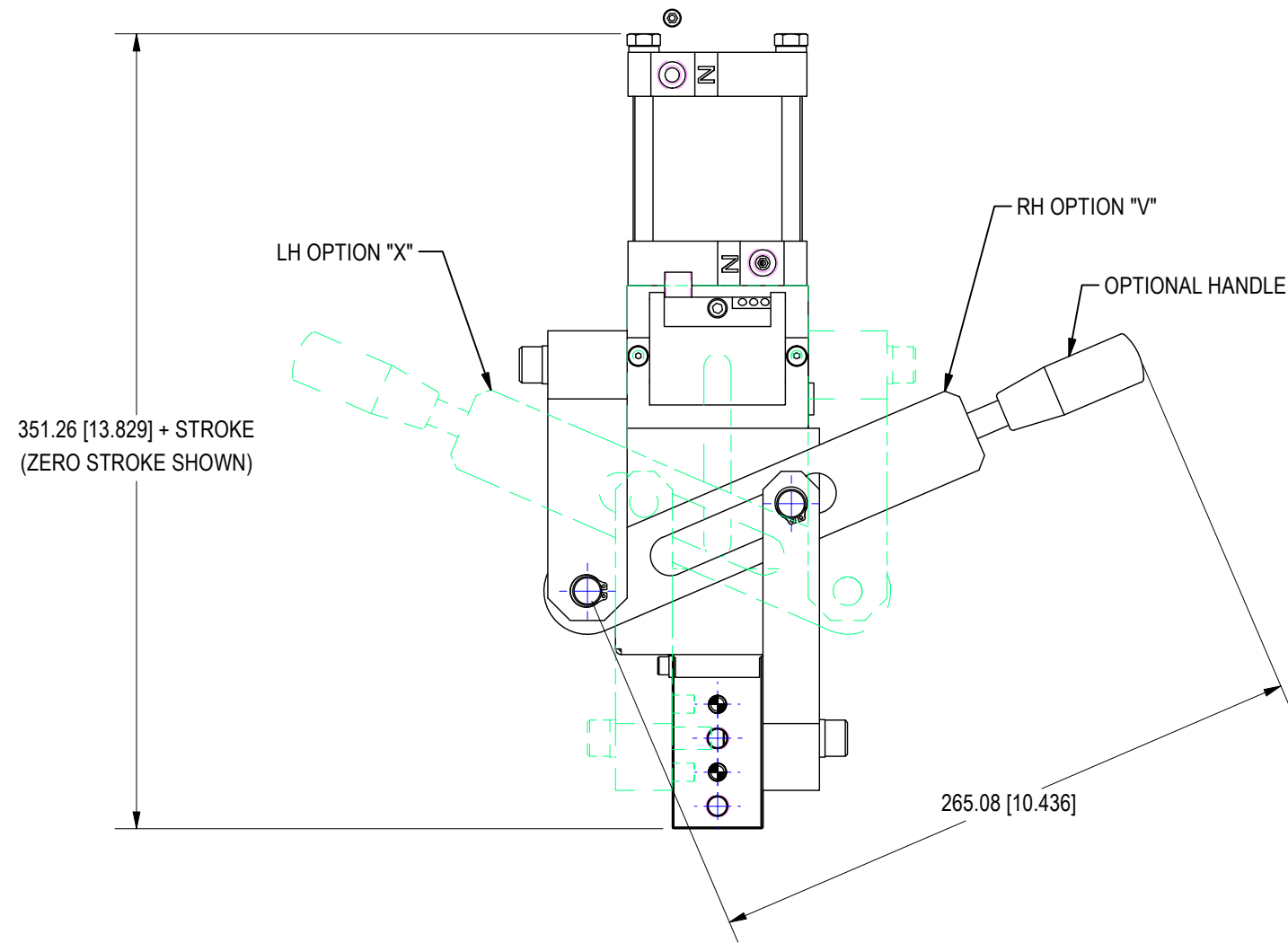
**MOUNTING PATTERN STANDARD FOR ALL ORIENTATIONS**

**SIDE MOUNT OPTIONS U & W**

**(SHEET 2 of 6)**

UNITS ARE MILLIMETERS  
(i.e.X.XXmm [x.xxx"])  
DO NOT SCALE DRAWING

<b>WELKER</b>			
WELKER ENGINEERED PRODUCTS			
DESCRIPTION			
MANUAL STROKE SHOT PIN			
TEMPLATE			
DRAWN BY	DATE	REV	REV DATE
KPL	10/19/2005	2A	10/4/2019
CHANGE DESCRIPTION			
FILE NAME	S02314L01		

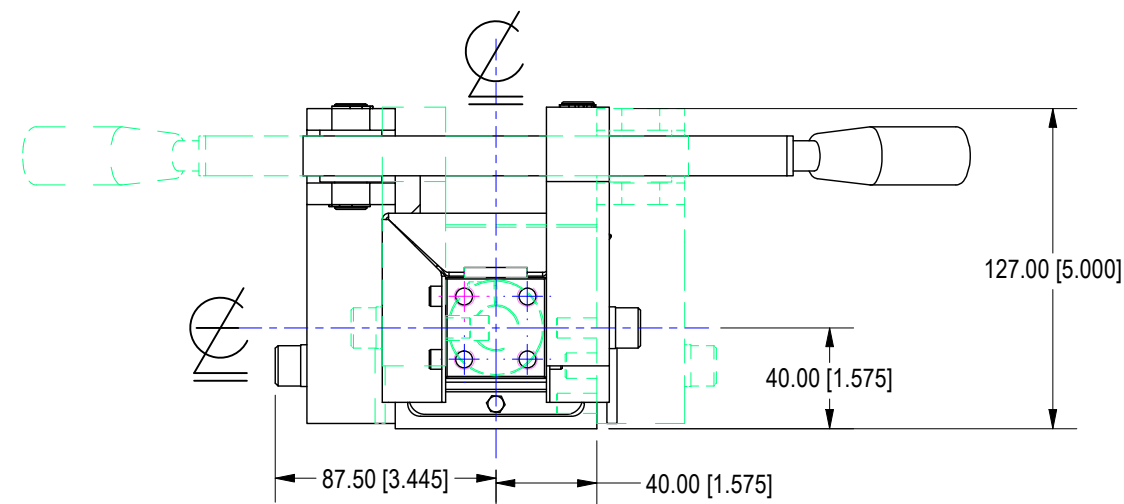


**NOTE:**  
 MANUAL HANDLE OPTION IS NOT HELD TO INDUSTRY STANDARD TOLERANCES.  
 MANUAL UNIT IS NOT INTENDED FOR USE IN GEO SETTING FIXTURES.

**FLOW CONTROLS MUST BE USED**

THIS IS A STANDARD WELKER UB4  
 SHOT PIN WITH A MANUAL STROKE  
 MODIFICATION ADDED. MAXIMUM  
 STROKE AVAILABLE FOR THIS  
 OPTION IS 75mm. PLEASE REFER  
 TO UB4N CATALOG FOR REMAINING  
 DIMENSIONS

EXTEND FORCE IS GREATER THAN 14lb WITHOUT TOOLING



**TOP MOUNT  
 OPTIONS V & X**

**APPROVAL**

APPROVED:

AS NOTED:

BY: \_\_\_\_\_

DATE: \_\_\_\_\_

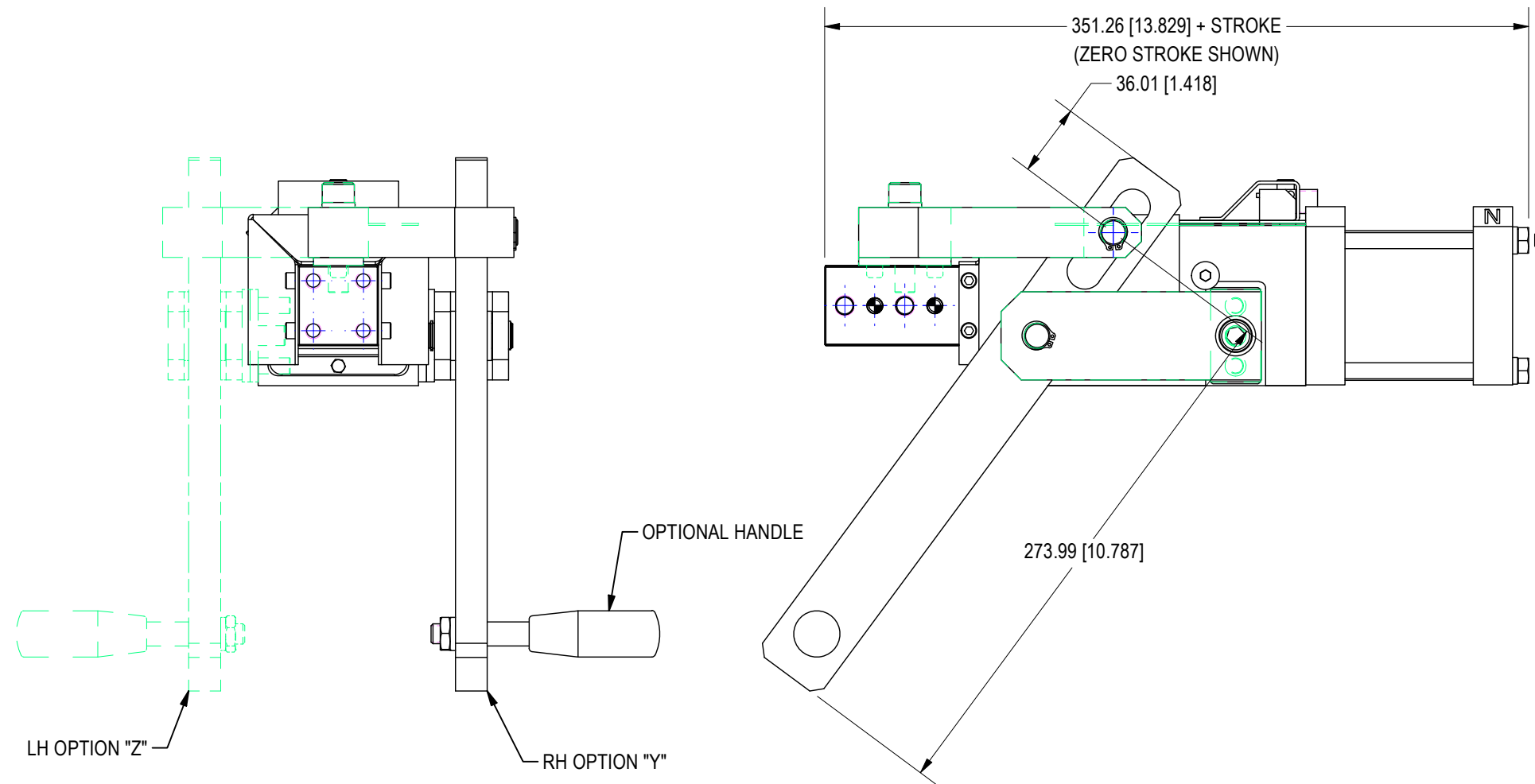
<b>WELKER</b>			
WELKER ENGINEERED PRODUCTS			
DESCRIPTION MANUAL STROKE SHOT PIN			
TEMPLATE			
DRAWN BY KPL	DATE 10/19/2005	REV 2A	REV DATE 10/4/2019
CHANGE DESCRIPTION			
FILE NAME	S02314L01		

**NOTE:**  
 MANUAL HANDLE OPTION IS NOT HELD TO INDUSTRY STANDARD TOLERANCES.  
 MANUAL UNIT IS NOT INTENDED FOR USE IN GEO SETTING FIXTURES.

**FLOW CONTROLS MUST BE USED**

THIS IS A STANDARD WELKER UB4  
 SHOT PIN WITH A MANUAL STROKE  
 MODIFICATION ADDED. MAXIMUM  
 STROKE AVAILABLE FOR THIS  
 OPTION IS 75mm. PLEASE REFER  
 TO UB4N CATALOG FOR REMAINING  
 DIMENSIONS

EXTEND FORCE IS GREATER THAN  
 14lb WITHOUT TOOLING



**SIDE REVERSE LEVER  
 OPTIONS Y&Z**

**(SHEET 4 of 6)**

UNITS ARE MILLIMETERS  
 (i.e.X.XXmm [x.xxx"])  
 DO NOT SCALE DRAWING

**APPROVAL**

APPROVED:

AS NOTED:

BY: \_\_\_\_\_

DATE: \_\_\_\_\_

<b>WELKER</b>			
WELKER ENGINEERED PRODUCTS			
DESCRIPTION MANUAL STROKE SHOT PIN			
TEMPLATE			
DRAWN BY KPL	DATE 10/19/2005	REV 2A	REV DATE 10/4/2019
CHANGE DESCRIPTION			
FILE NAME	S02314L01		

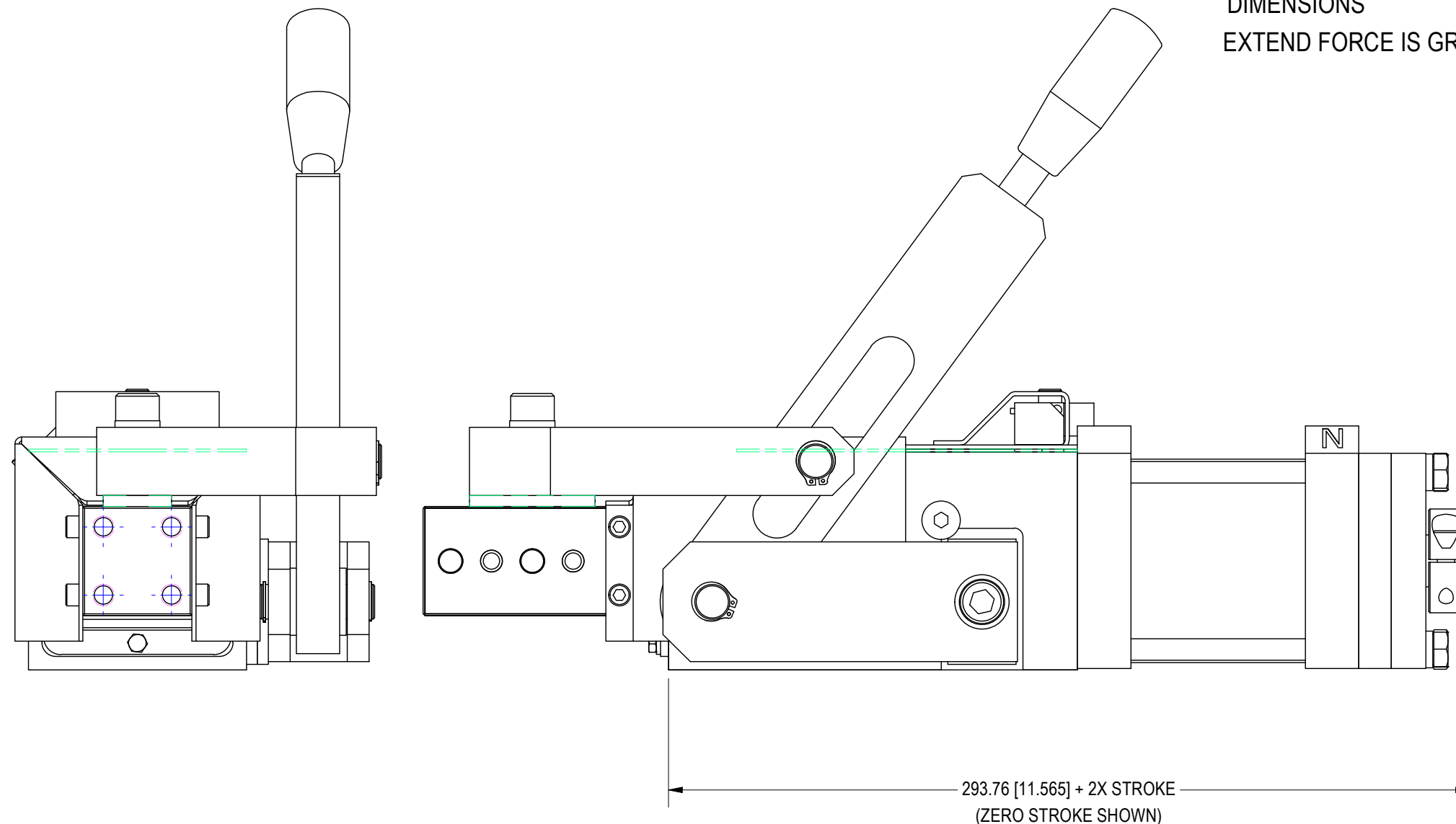
**NOTE:**

MANUAL HANDLE OPTION IS NOT HELD TO INDUSTRY STANDARD TOLERANCES.  
MANUAL UNIT IS NOT INTENDED FOR USE IN GEO SETTING FIXTURES.

**FLOW CONTROLS MUST BE USED**

THIS IS A STANDARD WELKER UB4  
SHOT PIN WITH A MANUAL STROKE  
MODIFICATION ADDED. MAXIMUM  
STROKE AVAILABLE FOR THIS  
OPTION IS 75mm. PLEASE REFER  
TO UB4N CATALOG FOR REMAINING  
DIMENSIONS

EXTEND FORCE IS GREATER THAN 14lb WITHOUT TOOLING



**DOUBLE ROD OPTION SHOWN  
(ACTUATOR 3,4)**

NOTE:  
PLEASE REFER TO TEMPLATE SHEETS  
1 THRU 3 FOR REMAINING DIMENSIONS

<b>APPROVAL</b>	
APPROVED:	<input type="checkbox"/>
AS NOTED:	<input type="checkbox"/>
BY:	_____
DATE:	_____

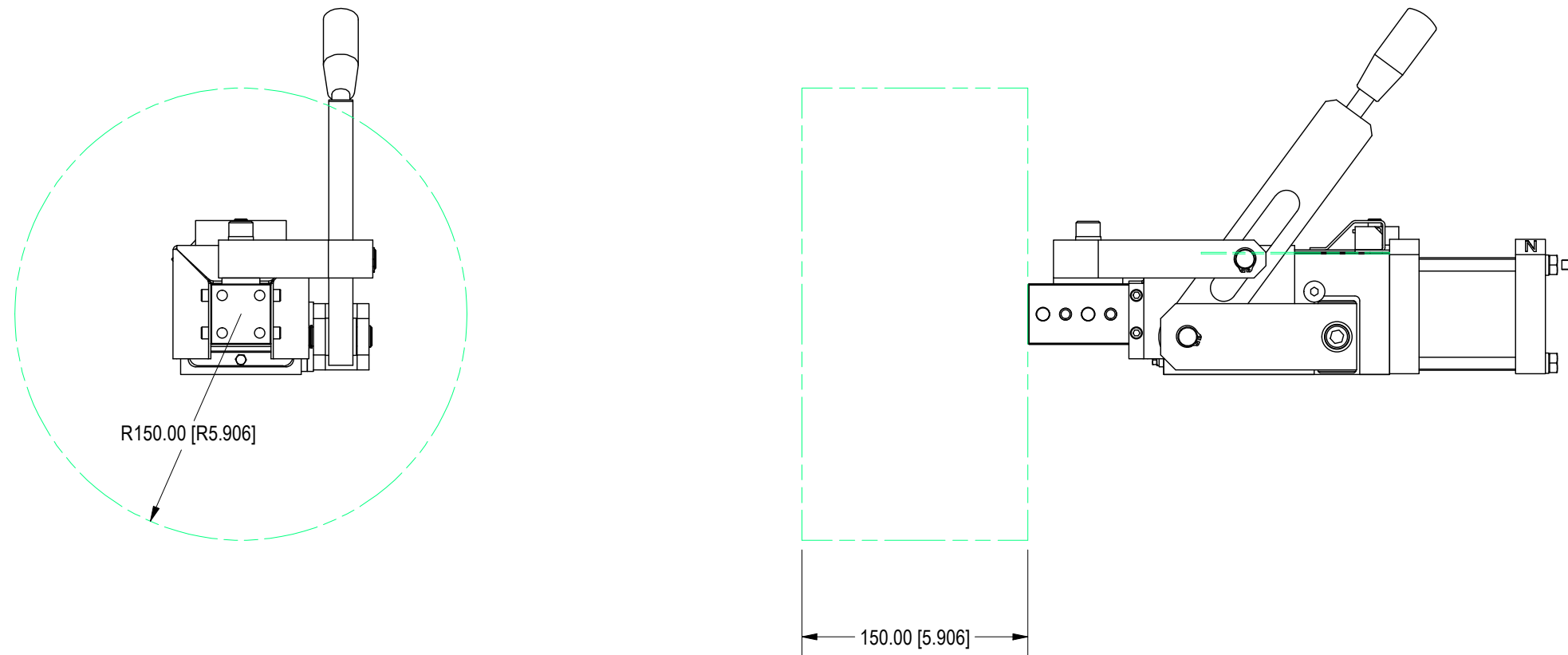
**(SHEET 5 of 6)**

UNITS ARE MILLIMETERS  
(i.e.X.XXmm [x.xxx"])  
DO NOT SCALE DRAWING

WELKER ENGINEERED PRODUCTS			
DESCRIPTION MANUAL STROKE SHOT PIN			
TEMPLATE			
DRAWN BY KPL	DATE 10/19/2005	REV 2A	REV DATE 10/4/2019
CHANGE DESCRIPTION			
FILE NAME	S02314L01		

**HORIZONTAL LIMITS:** (SIDE MOUNT AND TOP MOUNT OPTIONS U,V,W & X)  
 MOUNTED TOOLING MUST BE WITHIN APPROVED 150mm APPLICATION WINDOW  
 FROM END OF RAM  
 EXTEND FORCE IS GREATER THAN 14lb WITHOUT TOOLING

**NOTE:**  
 MANUAL HANDLE OPTION IS NOT HELD TO INDUSTRY STANDARD TOLERANCES.  
 MANUAL UNIT IS NOT INTENDED FOR USE IN GEO SETTING FIXTURES.



**SIDE MOUNT & TOP MOUNT  
 OPTIONS U & W - V & X**

<b>APPROVAL</b>	
APPROVED:	<input type="checkbox"/>
AS NOTED:	<input type="checkbox"/>
BY:	_____
DATE:	_____

<b>WELKER</b>			
WELKER ENGINEERED PRODUCTS			
DESCRIPTION MANUAL STROKE SHOT PIN			
TEMPLATE			
DRAWN BY KPL	DATE 10/19/2005	REV 2A	REV DATE 10/4/2019
CHANGE DESCRIPTION			
FILE NAME	S02314L01		