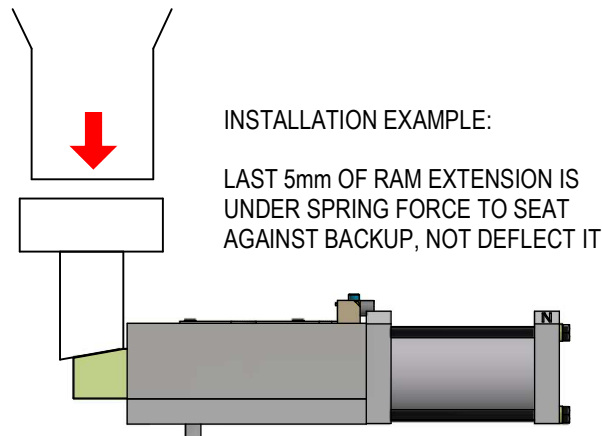
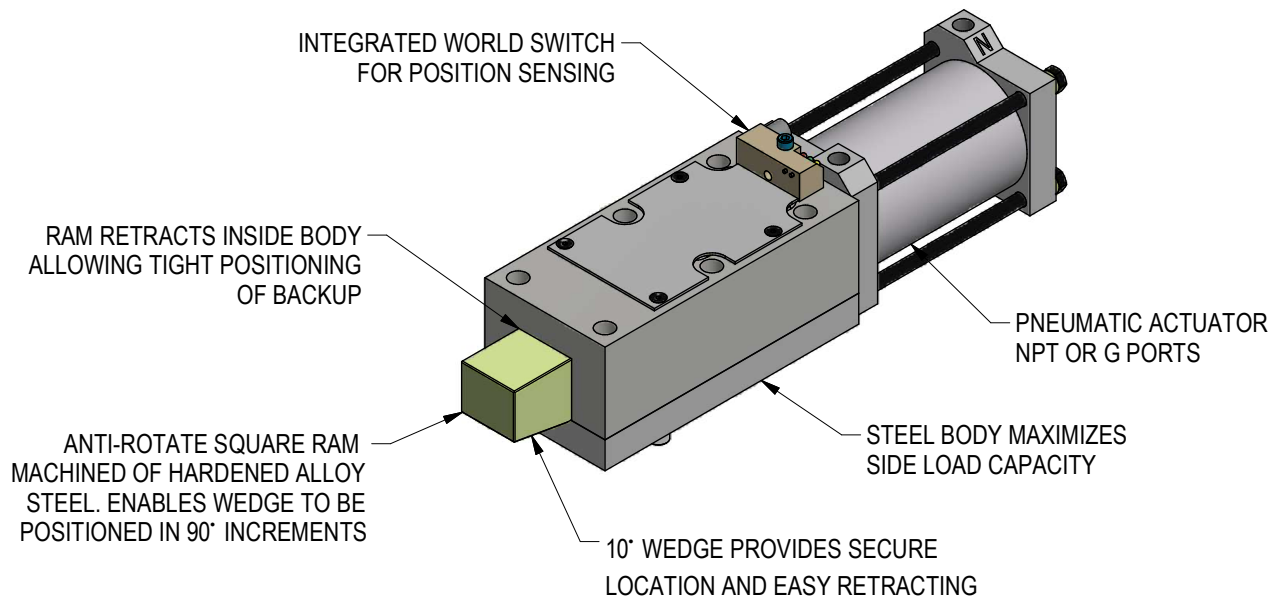


WEDGE LOCK S01631

*IDEAL FOR PRESS STATION APPLICATION:
REDUCES DEFLECTION IN LIFT & LOCATE STATION*



RELEASED 12/1/2023

ORDERING INFORMATION

NOTE: ALL BOXES MUST BE FILLED IN FOR A COMPLETE PART NUMBER

S 0 1 6 3 1 -

A

0
X

0
0
0

Stroke

050 50mm Stroke

Actuator

- 01** Pneumatic - NPT
- 02** Pneumatic - G Port

Switch

- 00** No Switch
- CE** See World Switch chart

Port Position

- A** P1 Port Position
- B** P2 Port Position
- C** P3 Port Position
- D** P4 Port Position

Ram Position

- 0** P3 Position
- 1** P4 Position
- 2** P1 Position
- 3** P2 Position

WORLD SWITCH CHART

Order Number SO1 EXTEND / SO1 RETRACT	Part Number	Manufacturer	Description All switches Quick Disconnect
CE / CR	Ni2-Q6.5-AN6-0.1-FS 4.4X3/S304	Turck	4-Wire, 4-Pin, DC M12 X 1 (NPN)
DE / DR	NBN2-F581-100S6-E8-V1	Pepperl & Fuchs	4-Wire, 4-Pin, DC M12 X 1 (PNP)
EE / ER	BES-Z02KR2-PSC20F-P100-S04-V	Balluff	3-Wire, 4-Pin, DC M12 X 1 (PNP)
JE / JR	IN5374	Efector	3-Wire, 4-Pin, DC M12 X 1 (PNP)
ZE / ZR	WWS001A	WELKER	4-Wire, 4-Pin, DC M12 X 1 (PNP)

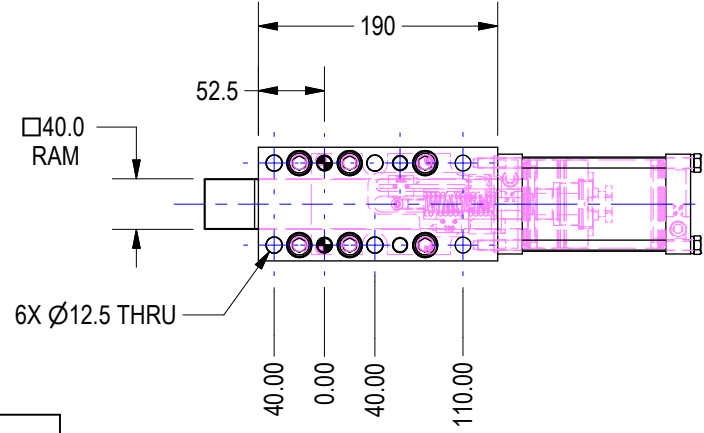
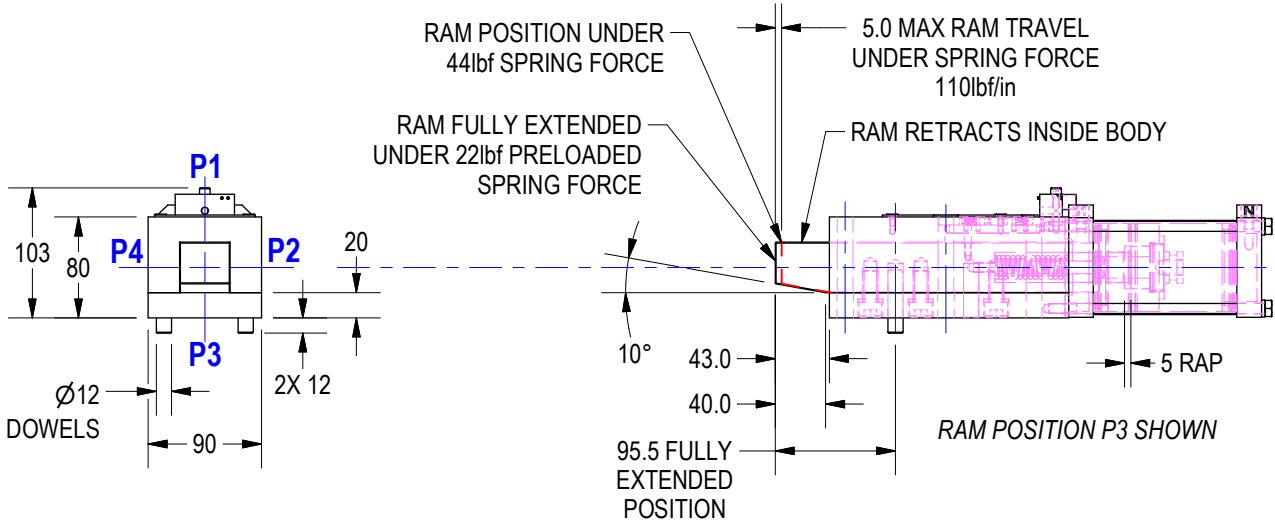
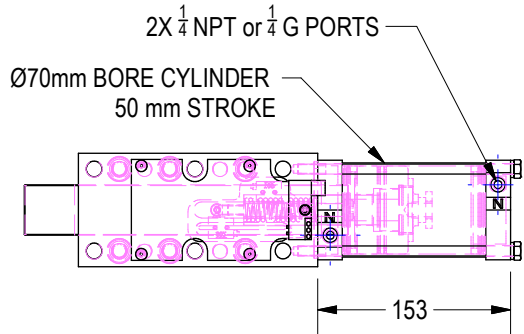
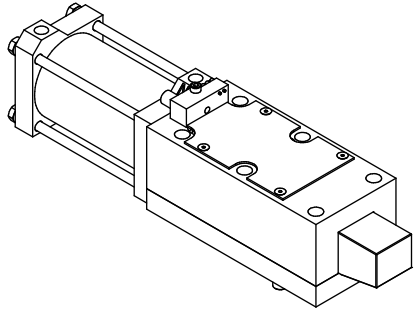
Standard Switch Option - All other options may affect price and delivery

Note: All applications require Welker Engineering approval.

(DO NOT SCALE DRAWING)



GENERAL DIMENSIONS



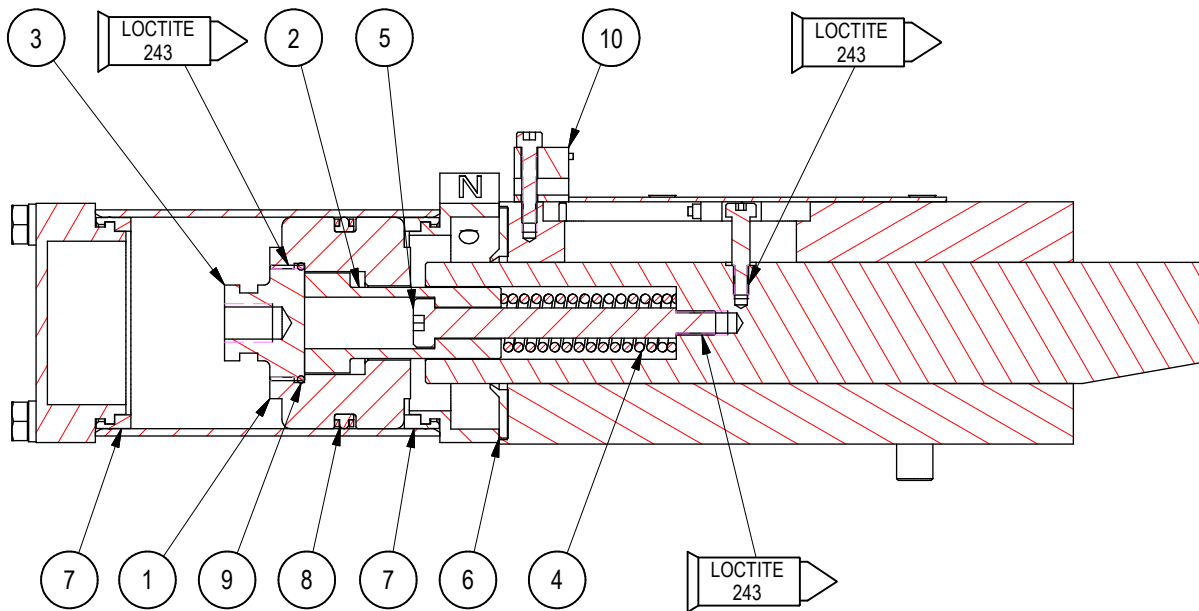
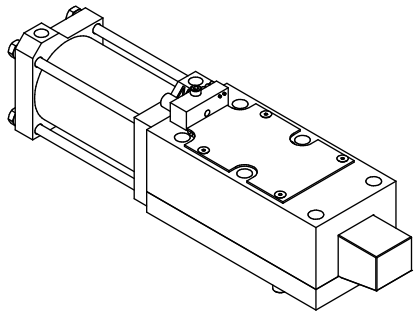
LOAD CAPACITY		
LINE PRESSURE	DYNAMIC*	STATIC
60 PSI	485 LBF	5000 LBF
80 PSI	650 LBF	5000 LBF

* DYNAMIC LOAD CAPACITY IS THE MAXIMUM ALLOWABLE LOAD APPLIED ON WEDGE WHICH WILL ALLOW UNIT TO RETRACT AT GIVEN LINE PRESSURE.

(DO NOT SCALE DRAWING)



REPLACEMENT PARTS



CSK	ITEM	QTY	PART NUMBER	DESCRIPTION
	1	1	S01631E04	PISTON
	2	1	S01631E05	COUPLER
	3	1	UBS40E18	PISTON PLUG
	4	1	11713	SPRING
	5	1	M10X80 SHOULDER	SCREW
X	6	1	N/A (INCL. IN S01631-CSK)	WIPER
X	7	2	N/A (INCL. IN S01631-CSK)	CYLINDER BUMPER SEAL
X	8	1	N/A (INCL. IN S01631-CSK)	PISTON SEAL
X	9	1	N/A (INCL. IN S01631-CSK)	O-RING
	10	1	SEE SWITCH CHART	WORLD SWITCH

REPLACEMENT SEAL KIT NOTE:
 ORDER AS S01631-CSK.
 INCLUDES ITEMS MARKED "X" IN CSK COLUMN.
 SEALS ARE ONLY AVAILABLE AS A KIT, NOT INDIVIDUALLY.

(DO NOT SCALE DRAWING)

