

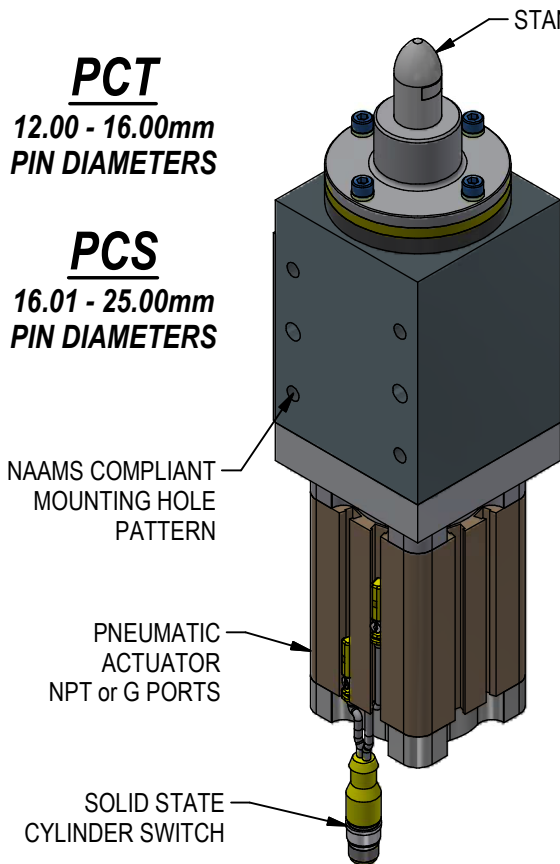
Patent #6,786,478

PIN CLAMPS FOR POSITIVE LOCATING AND CLAMPING

**REQUIRES NO
LUBRICATION!**

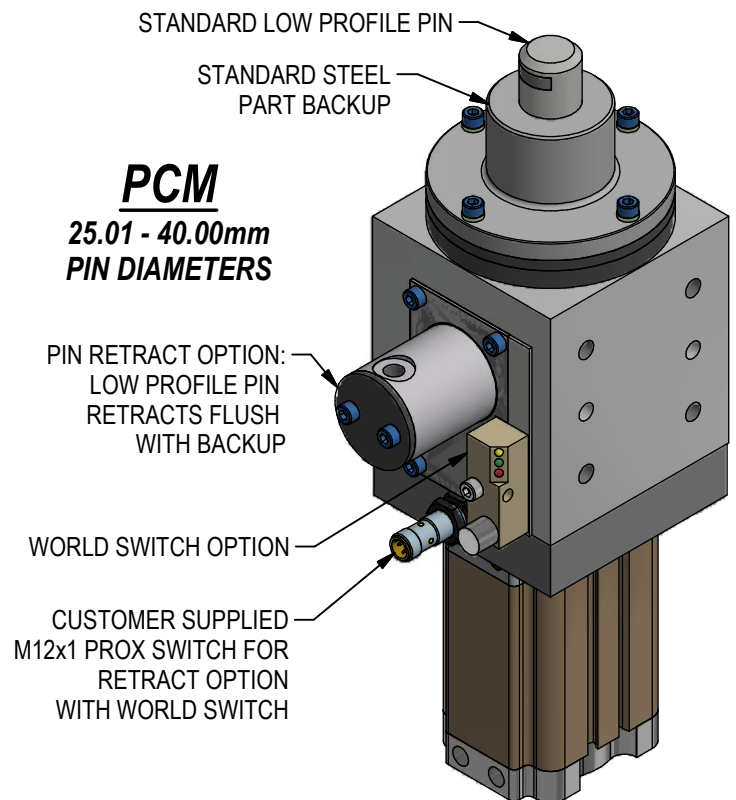
PCT
12.00 - 16.00mm
PIN DIAMETERS

PCS
16.01 - 25.00mm
PIN DIAMETERS



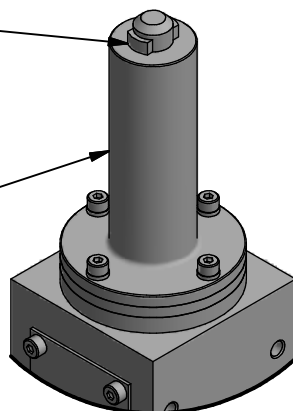
LOCATING PIN IN SELF-CONTAINED
CARTRIDGE. CARTRIDGE IS
REPLACEABLE IN FIELD

PCM
25.01 - 40.00mm
PIN DIAMETERS



GAPLESS CLAMP
FINGER DESIGN
AT FULL EXTENSION
AND RETRACTION

OPTIONAL LONG
PART BACKUP



APPLICATIONS

- ROBOT END EFFECTORS
- END OF ARM TOOLING
- AUTOMOTIVE ASSEMBLY & B/W
- PALLETIZED PART LOCATE & TRANSFER
- WELDING & HIGH CORROSIVE ENVIRONMENTS

RELEASED 10/31/22

PIN CLAMP WORKSHEET

Project	Station #	Date	
Customer	Contact	Email	Phone

NOMINAL HOLE DIAMETER: _____ Tolerance ± _____

Single Metal Thickness: _____

Multiple Metal Quantity: _____ Overall thickness: _____

Will the pin be in geo holes in multiple metal pieces? Yes No

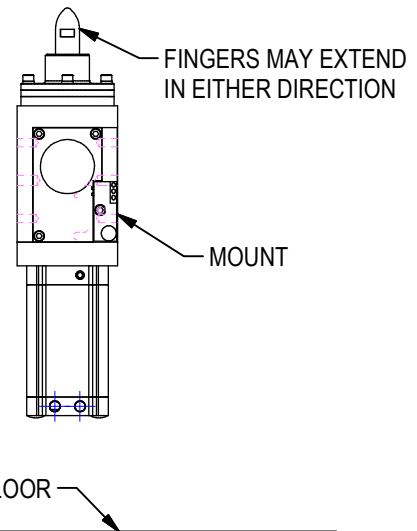
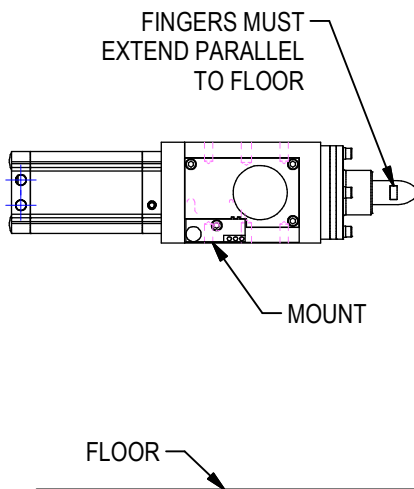
RECOMMENDED PIN DIAMETER:

Series	Application	Pin sizing
PCS, PCT, PCM	geo	0.15mm under minimum
PCS, PCT, PCM	material handling	0.5mm under minimum

FINGER & PIN CLAMP ORIENTATION

PIN CLAMP MOUNTED HORIZONTALLY:

PIN CLAMP MOUNTED INVERTED OR VERTICALLY:



Part # _____	Mounting	<input type="checkbox"/> Horizontal	<input type="checkbox"/> Vertical or inverted
	Fingers	<input type="checkbox"/> @ 0°	<input type="checkbox"/> @ 90°
Part # _____	Mounting	<input type="checkbox"/> Horizontal	<input type="checkbox"/> Vertical or inverted
	Fingers	<input type="checkbox"/> @ 0°	<input type="checkbox"/> @ 90°
Part # _____	Mounting	<input type="checkbox"/> Horizontal	<input type="checkbox"/> Vertical or inverted
	Fingers	<input type="checkbox"/> @ 0°	<input type="checkbox"/> @ 90°

(DO NOT SCALE DRAWING)



ORDERING INFORMATION

NOTE: ALL BOXES MUST BE FILLED IN FOR A COMPLETE PART NUMBER



Series

- T PCT Body
- C PCS Body
- M PCM Body

Pin Diameter*

- 12.00-16.00 T Series
- 16.01-25.00 C Series
- 25.01-40.00 M Series

*Pin diameter to 2 decimal places

Pin Type

- A Bullet Nose Pin w/ fingers at 0°
- B Bullet Nose Pin w/ fingers at 90°
- C Bullet Nose 2-way Pin w/ fingers @ 0° **
- D Bullet Nose 2-way Pin w/ fingers @ 90° **
- E Low Profile Pin w/ fingers at 0°
- F Low Profile Pin w/ fingers at 90°
- G Low Profile 2-Way Pin w/ fingers @ 0° **
- H Low Profile 2-Way Pin w/ fingers @ 90° **

Actuator

See Actuator Charts

Switch Assembly Type

World Switch (See World Switch Chart)

- 0 None
- Z DC Welker 4 Pin (PNP)
- A DC Turck 4 Pin (PNP)
- B AC/DC Turck 5 Pin (N.O.)
- C DC Turck 4 Pin (NPN)
- D DC Pepprl-Fuchs 4 Pin (PNP)
- E DC Balluff 4 Pin (PNP/NO)
- J DC Efector 4 Pin (PNP)

EFFECTIVE 1/2/2023: These switches will be non-stock items, affecting price and delivery

Cylinder Switch (See Cylinder Switch Chart)

- 0 None
- L Solid State Cylinder Switch

NOTE: Cylinder switches not available with actuator A on PCT

Options

- A Std Steel Backup
- B Steel Long Backup
- C Alum Bronze Backup
- D Alum Bronze Long Backup

Backup Distance

- K 14mm (for clamping range 0.1 - 4mm)
- N 17mm (for clamping range 4.1 - 7mm)

Backup Diameter

- 035-050 (Ø35-Ø50mm) C & T Series
- 051-075 (Ø51-Ø75mm) M Series

See Sheet 11 for smaller backup diameters

Port Type & Position

- A 1/8 NPT at Pos 1
- B 1/8 NPT at Pos 2
- C 1/8 NPT at Pos 3
- D 1/8 NPT at Pos 4
- J 1/8 G at Pos 1
- K 1/8 G at Pos 2
- L 1/8 G at Pos 3
- M 1/8 G at Pos 4

Switch Options

World Switch Sensor Position

- 0 None (No Switch)
- E Sensor 01-Unclamped (Pin Extended)
Sensor 02-Clamped
- R Sensor 01-Clamped (Pin Retracted)
Sensor 02-Unclamped

Cylinder Switch Selection

- 0 None (No Switch)
- 3 DC 4 Pin (PNP) Weld Field Immune
- 5 DC 3 Wire (NPN)

Switch ordering examples:

PCS with low profile pin, Turck World Switch in Retract position: C1601EBARA035KA

PCM with bullet nose pin, Welker L3 switch: M2501BBL3A051KA

STANDARD PRICING INCLUDES THESE FEATURES

** Not available on PCT with pin diameters 12.00 - 12.99mm

SEE SHEET 14 FOR REPLACEMENT PIN CARTRIDGE & BACKUP ORDERING INFORMATION

L3 NOTE:

L3 switch is weld field immune, comparable to World Switches. Note that some mid and low frequency DC resistance applications (i.e. aluminum resistance welding applications) may cause a fault. In these applications, it is recommended that the sensor be ignored/bypassed during the welding cycle.

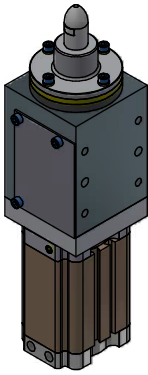
(DO NOT SCALE DRAWING)



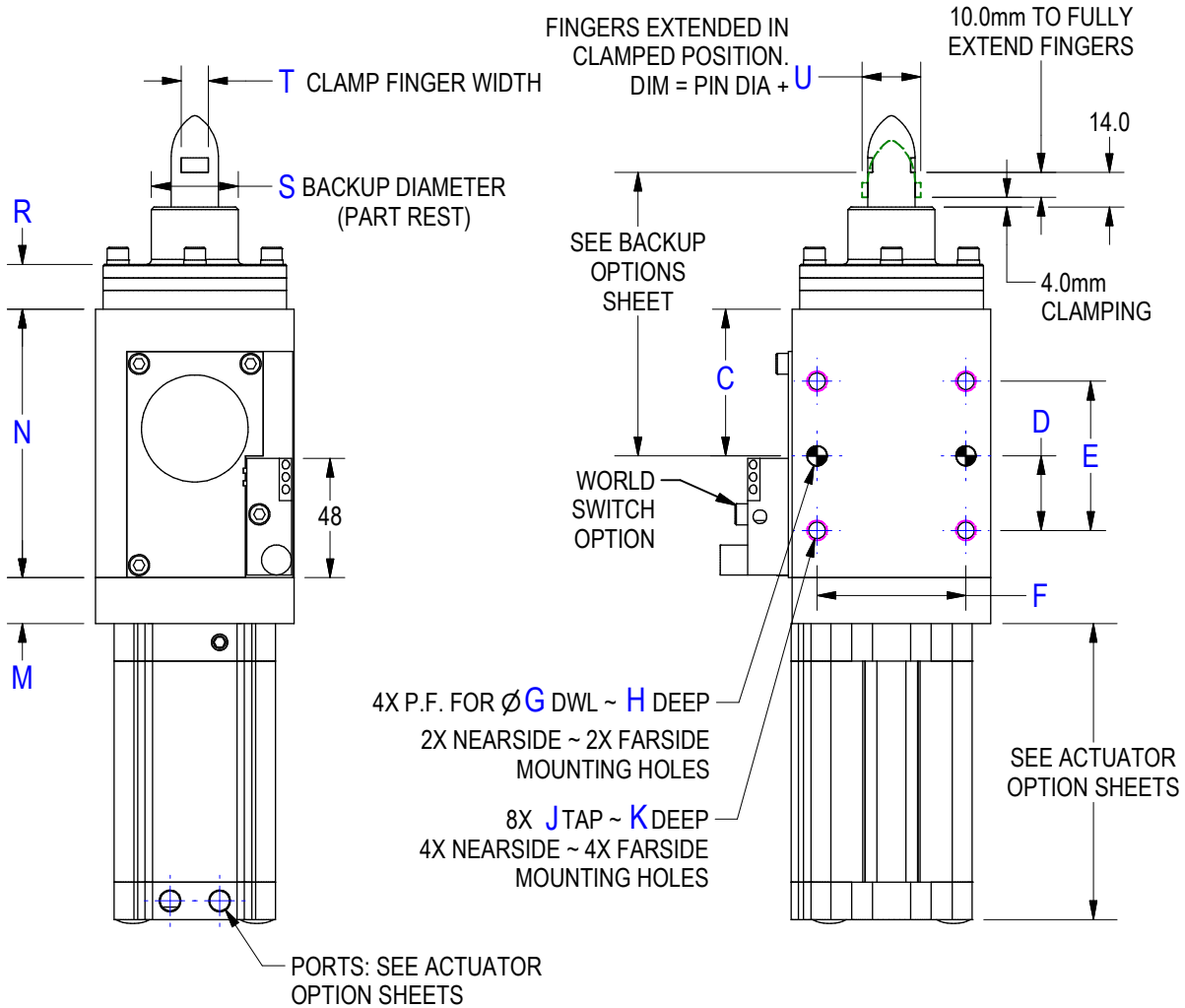
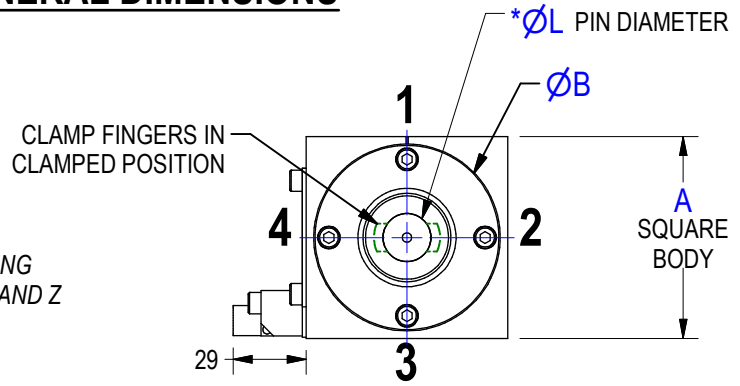
ENGINEERED PRODUCTS

800-229-0890 www.welkerproducts.com

GENERAL DIMENSIONS



DESIGNER'S NOTE: SHIMMING
RECOMMENDED FOR X, Y, AND Z



SERIES	A	\varnothing B	C	D	E	F	G	H	J	K	* \varnothing L	M	N	R	\varnothing S	T	U	WGHT
T	80	74	59	30.00	60.00	60	8	16	M8 X 1.25	16	12.00-16.00	19	108	18	35-50	8	3.4	12 LBS
C	80	74	59	30.00	60.00	60	8	16	M8 X 1.25	16	16.01-25.00	19	108	18	35-50	11	4.6	12 LBS
M	100	99	55	30.00	60.00	60	8	16	M10 X 1.5	20	25.01-40.00	19	110	22	51-75	18	5.6	20 LBS

* DIAMETER RANGE FOR 2-WAY LOCATING PINS ARE DIFFERENT FROM 4-WAY RANGE. SEE SHEET 4

(DO NOT SCALE DRAWING)



LOCATING PIN OPTIONS

C **2500** **A** **B** **A** **R** **D** **035** **K** **A**

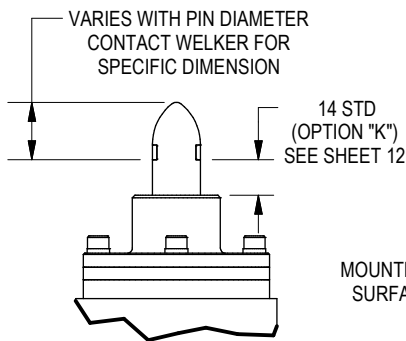
Pin Diameter
(Ø25.00mm SHOWN)
ORDER IN MILLIMETERS ONLY
.01 INCREMENTS

SEE SHEET 14 FOR REPLACEMENT PIN CARTRIDGE & BACKUP ORDERING INFORMATION

Pin Type	T SERIES DIAMETERS	C SERIES DIAMETERS	M SERIES DIAMETERS
A Bullet Nose Pin with fingers at 0°	12.00 - 16.00	16.01 - 25.00	25.01 - 40.00
B Bullet Nose Pin with fingers at 90°	12.00 - 16.00	16.01 - 25.00	25.01 - 40.00
C Bullet Nose 2-way Pin with fingers at 0°	13.00 - 16.00	18.00 - 26.00	26.85 - 42.00
D Bullet Nose 2-way Pin with fingers at 90°	13.00 - 16.00	18.00 - 26.00	26.85 - 42.00
E Low Profile Pin with fingers at 0°	12.00 - 16.00	16.01 - 25.00	25.01 - 40.00
F Low Profile Pin with fingers at 90°	12.00 - 16.00	16.01 - 25.00	25.01 - 40.00
G Low Profile 2-Way Pin with fingers at 0°	13.00 - 16.00	18.00 - 26.00	26.85 - 42.00
H Low Profile 2-Way Pin with fingers at 90°	13.00 - 16.00	18.00 - 26.00	26.85 - 42.00

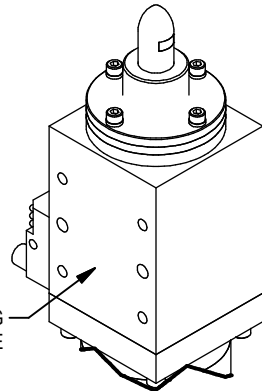
STOCK 4-WAY DIAMETERS: 16.00, 19.85, 20.00, 24.85, 25.00, 34.85, 35.00, 39.85, 40.00

4-WAY PINS

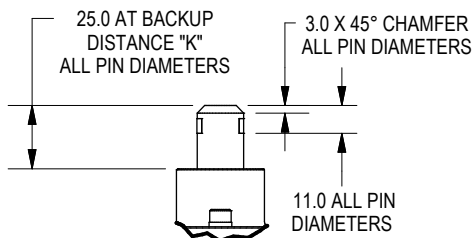


OPTION

- A** BULLET NOSE PIN WITH FINGERS AT 0°
- B** BULLET NOSE PIN WITH FINGERS AT 90°

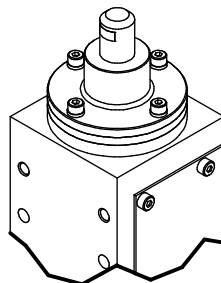


PIN TYPE OPTION "A"
BULLET NOSE PIN WITH FINGERS SHOWN AT 0° (FINGERS EXTEND & RETRACT PARALLEL TO MOUNTING SURFACE)



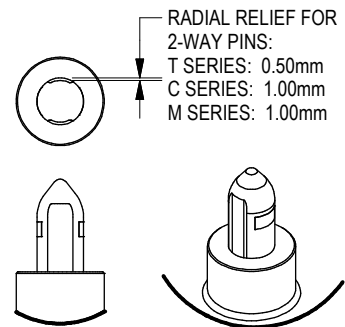
OPTION

- E** LOW PROFILE PIN WITH FINGERS AT 0°
- F** LOW PROFILE PIN WITH FINGERS AT 90°



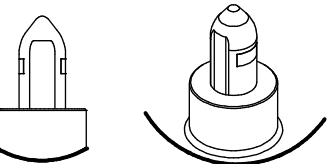
PIN TYPE OPTION "F"
LOW PROFILE PIN WITH FINGERS SHOWN AT 90° (FINGERS EXTEND & RETRACT PERPENDICULAR TO MOUNTING SURFACE)

2-WAY PINS



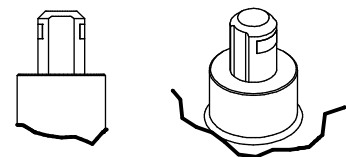
OPTION

- C** BULLET NOSE 2-WAY PIN WITH FINGERS AT 0°
- D** BULLET NOSE 2-WAY PIN WITH FINGERS AT 90°



OPTION

- G** LOW PROFILE 2-WAY PIN WITH FINGERS AT 0°
- H** LOW PROFILE 2-WAY PIN WITH FINGERS AT 90°



NOTE: FOR OPTIMAL HORIZONTAL APPLICATIONS, ORIENTATION OF THE CLAMP FINGER MOVEMENT SHOULD BE PARALLEL TO THE GROUND FOR ROUND HOLES

(DO NOT SCALE DRAWING)

WELKER
ENGINEERED PRODUCTS
800-229-0890 www.welkerproducts.com

ACTUATOR INFORMATION

C **2** **5** **0** **0** **A** **B** **A** **R** **D** **0** **3** **5** **K** **A**

Series

- T PCT Body
- C PCS Body
- M PCM Body

Actuator

Port Type & Position

NOTES: ALL ACTUATORS

AT LOSS OF AIR PRESSURE, SPRING ASSIST WILL MAINTAIN 50 LBS. OF CONSTANT CLAMP PRESSURE.

FOR INVERTED APPLICATIONS, PART WEIGHT MUST NOT EXCEED 50 LBS.

NORMAL OPERATING TEMPERATURE FOR ALL ACTUATORS IS -10° TO 165°F, -23 TO 74°C

PCT ACTUATOR INFORMATION

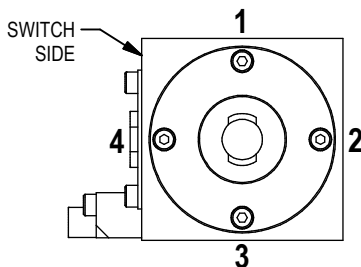
NOTE: Cylinder switches not available with actuator A on PCT

DESCRIPTION	PORTS	CLAMP FORCE (LBS.) (INCLUDES SPRING PRESSURE)	
		60 PSI	
A DOUBLE ACTING 40mm BORE	1/8" NPT or G 1/8	50	
B SINGLE ACTING 50mm BORE, SPRING CLAMP		50	
T SINGLE ACTING 50mm BORE, SPRING CLAMP, RETRACTABLE PIN		50	

PCS & PCM ACTUATOR INFORMATION

DESCRIPTION	PORTS	CLAMP FORCE (LBS.) 50mm BORE ACTUATOR INCLUDES SPRING PRESSURE		
		60 PSI	80 PSI	100 PSI
B DOUBLE ACTING 50mm BORE WITH SPRING ASSIST	1/8" NPT or G 1/8	220	277	333
T DOUBLE ACTING 50mm BORE, SPRING ASSIST, RETRACTABLE PIN		220	277	333

TOP VIEW: PORT LOCATION



PORT TYPE & POSITION

- A** NPT AT POSITION #1
- B** NPT AT POSITION #2
- C** NPT AT POSITION #3
- D** NPT AT POSITION #4

- J** G AT POSITION #1
- K** G AT POSITION #2
- L** G AT POSITION #3
- M** G AT POSITION #4

(DO NOT SCALE DRAWING)

WELKER
ENGINEERED PRODUCTS
800-229-0890 www.welkerproducts.com

ACTUATOR DIMENSIONS: A & B

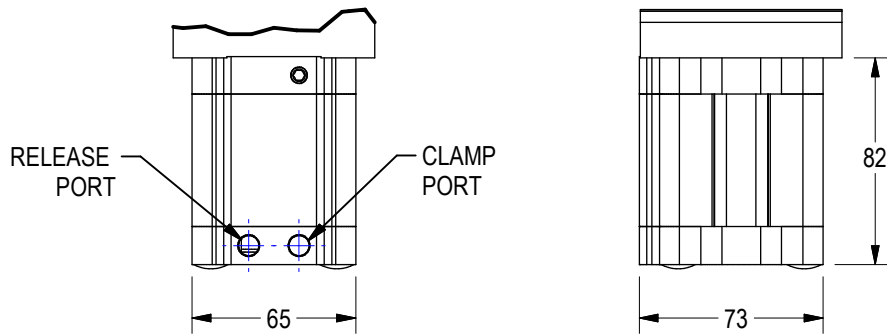
ACTUATOR T ON FOLLOWING SHEET

ACTUATOR A

40mm BORE

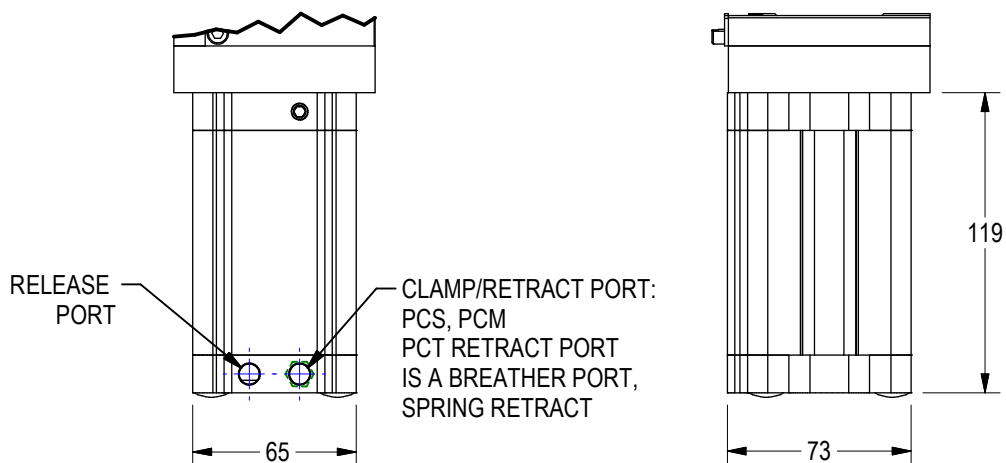
NOTES:

- Cylinder switches not available with actuator A on PCT
- Actuator A is only available with PCT



ACTUATOR B

50mm BORE



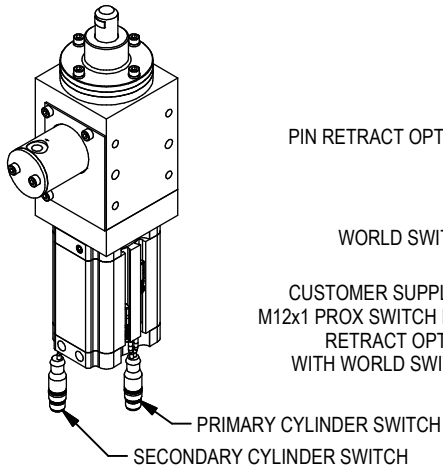
(DO NOT SCALE DRAWING)

WELKER
ENGINEERED PRODUCTS
800-229-0890 www.welkerproducts.com

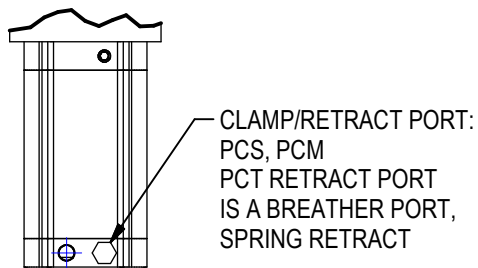
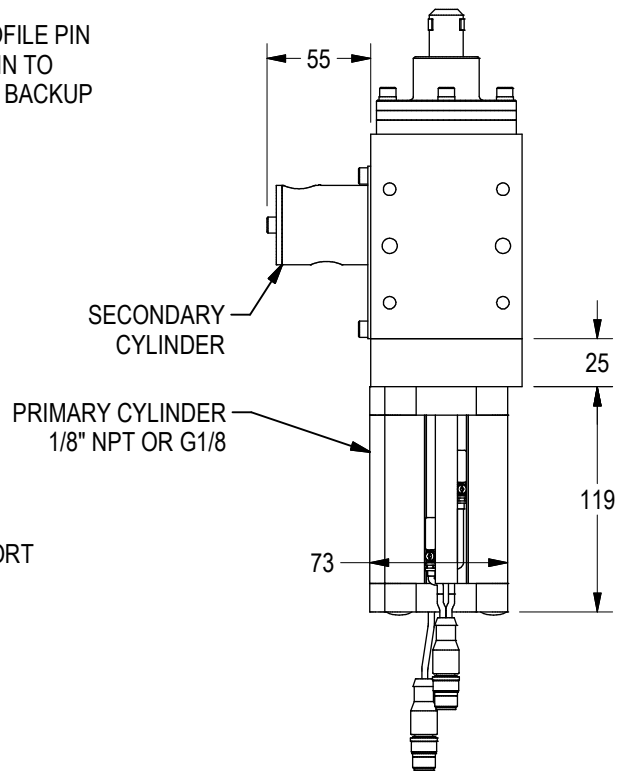
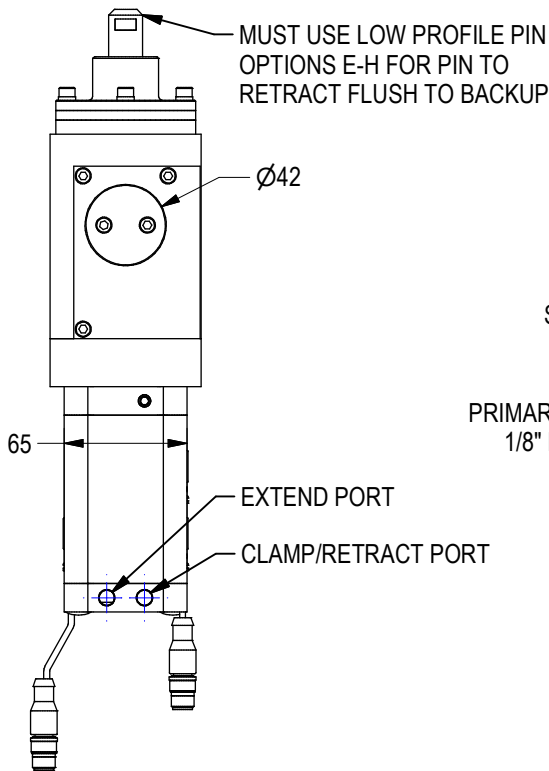
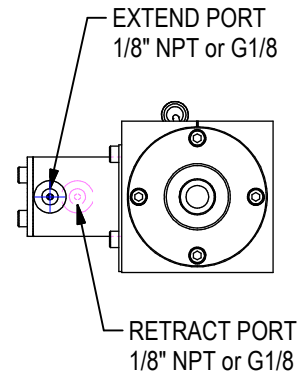
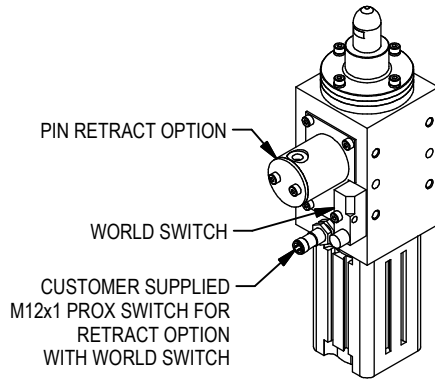
ACTUATOR T: RETRACT OPTION

FOR RETRACT SEQUENCE SEE SHEET 8

RETRACT OPTION WITH
CYLINDER SWITCH



RETRACT OPTION WITH
WORLD SWITCH

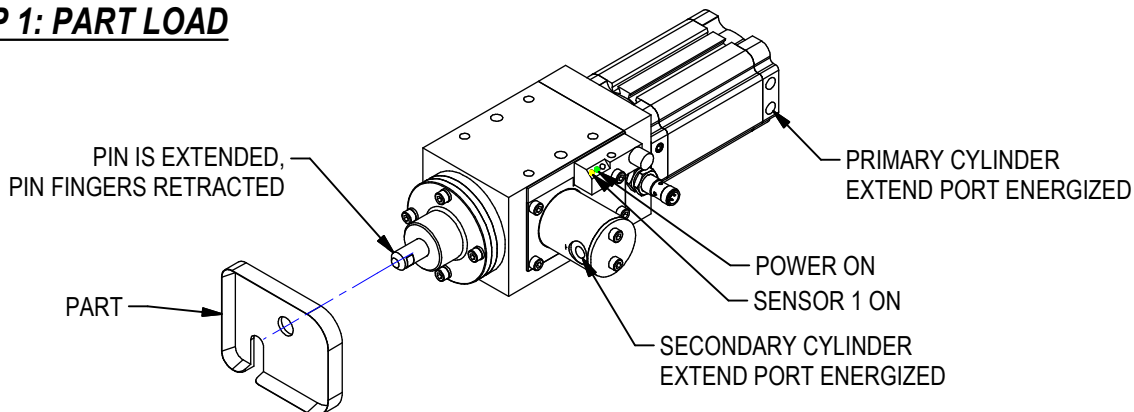


(DO NOT SCALE DRAWING)

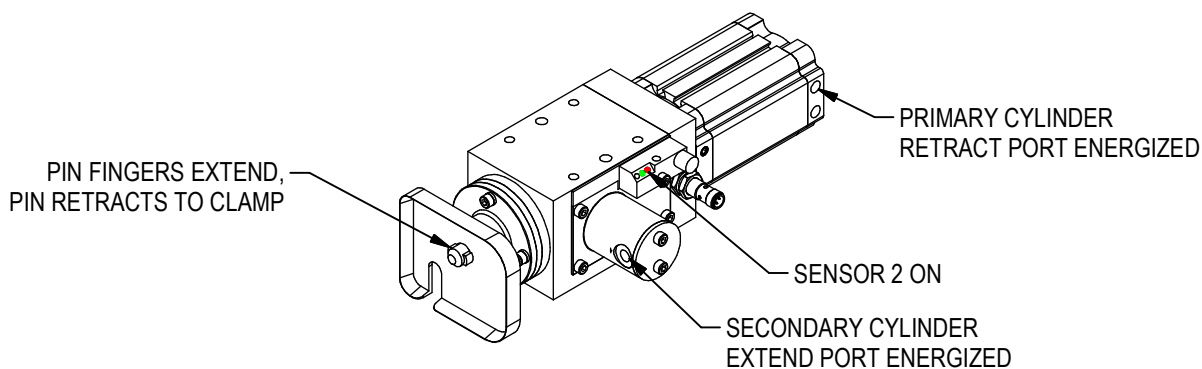
WELKER
ENGINEERED PRODUCTS
800-229-0890 www.welkerproducts.com

PIN CLAMP RETRACT OPTION SEQUENCE

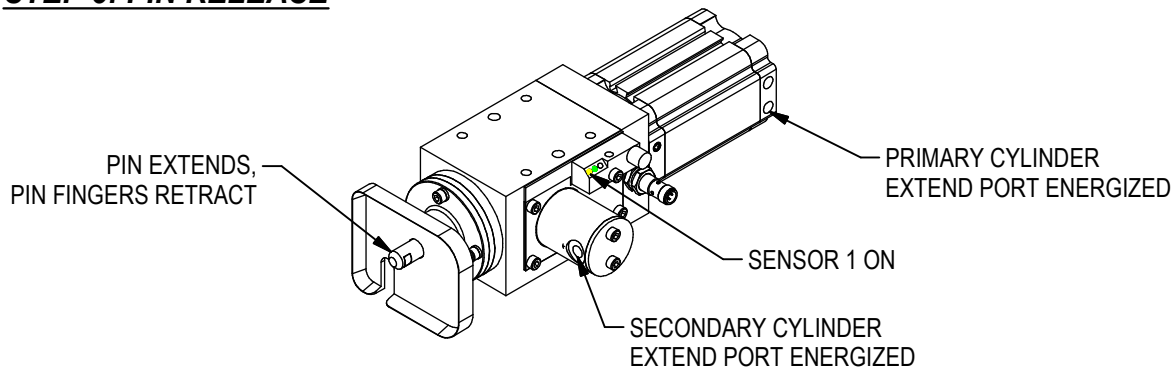
STEP 1: PART LOAD



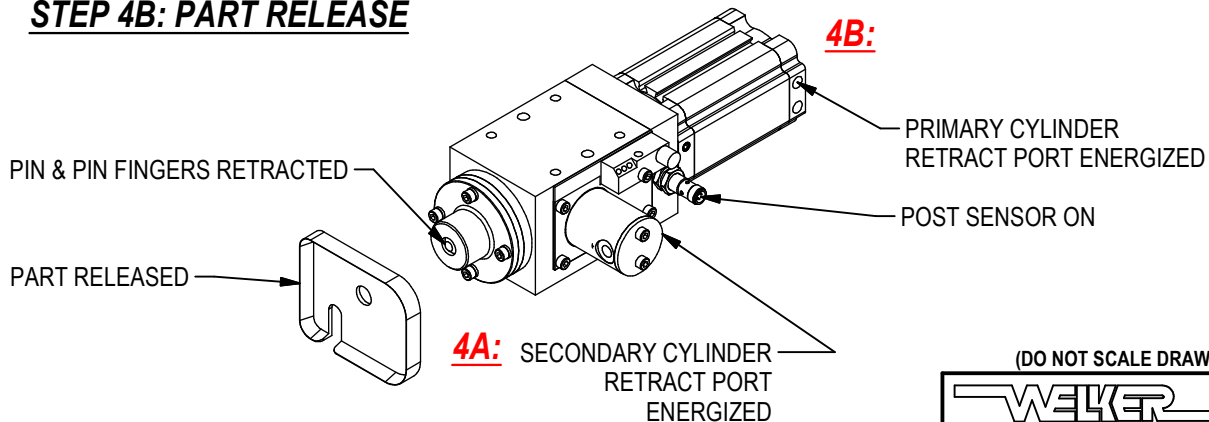
STEP 2: PART CLAMP



STEP 3: PIN RELEASE



STEP 4A: PIN RETRACT STEP 4B: PART RELEASE



WORLD SWITCH INFORMATION

C
2
5
0
0
A
B
Z
E
D
0
3
5
K
A

WORLD SWITCH ASSEMBLY

WORLD SWITCH SENSOR POSITION

WORLD SWITCH ASSEMBLY

0 NONE

NON-STOCKED SWITCHES EFFECTIVE 1-2-23

A DC TURCK 4-PIN (PNP)
#Ni2-Q6.5-AP6-0.1-FS 4.4x3/S304

B AC/DC TURCK 5-PIN (N.O.)
#Ni2-Q6.5-ADZ32-0.1-FSB 5.4x4/S304

C DC TURCK 4-PIN (NPN)
#Ni2-Q6.5-AN6-0.1-FS 4.4x3/S304

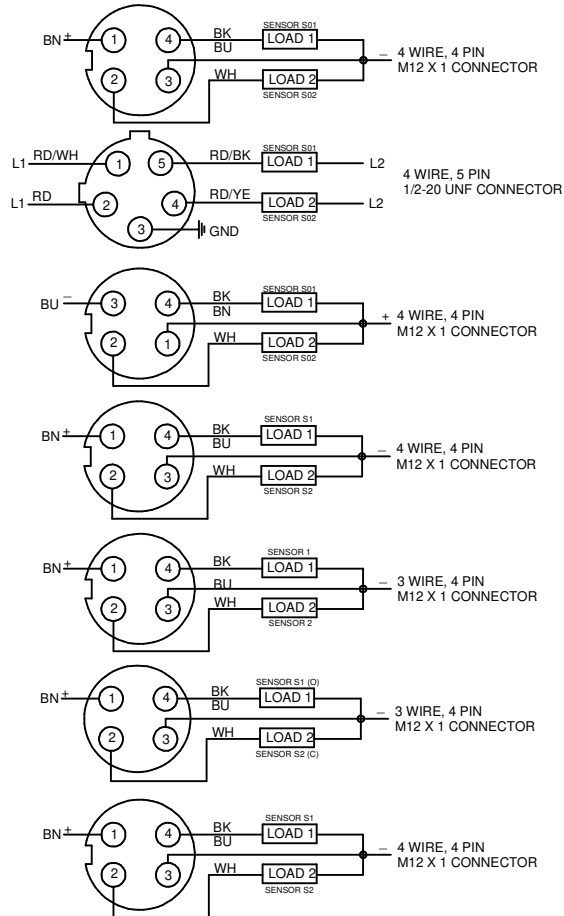
D DC PEPPERL & FUCHS 4-PIN (PNP)
#NBN2-F581-100S6-E8-V1

E DC BALLUFF 4-PIN (PNP)
#BES-Z02KR2-PSC20F-P100-S04

J DC EFECTOR 4-PIN (PNP)
#IN5374

Z *DC WELKER 4-PIN (PNP)
#WWS001A

*STANDARD SWITCH PRICING
OTHER SWITCHES MAY REQUIRE PRICING PREMIUM



SENSOR POSITION

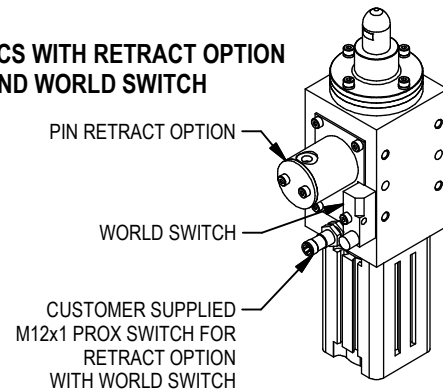
0 NONE

E Sensor 01-Unclamped (Pin Extended, Load/Unload Position)
Sensor 02-Clamped (Pin Retracted)

R Sensor 01-Clamped (Pin Retracted)
Sensor 02-Unclamped (Load/Unload Position)

Note: Sensor 01 displays an amber LED. Sensor 02 displays a red LED

PCS WITH RETRACT OPTION AND WORLD SWITCH



(DO NOT SCALE DRAWING)

ENGINEERED PRODUCTS
 800-229-0890 www.welkerproducts.com

CYLINDER SWITCH INFORMATION

C
2
5
0
0
A
B
L
3
D
0
3
5
K
A

CYLINDER SWITCH

FOR PIN CLAMP ACTUATOR OPTION "B" & "D"
 (NOTE: Cylinder switches not available with actuator A on PCT)

Option	QTY	Switch Part #	Wire	Output	Mfg
L3	1	SWITCH L3** Dual sensor, single connector switch: 1 switch required per cylinder	4	PNP	Welker
L5	2	MK5113 Single sensor, single connector switch: 2 switches required per cylinder	3	NPN	ifm Efeotor

FOR PIN CLAMP ACTUATOR OPTION "T"

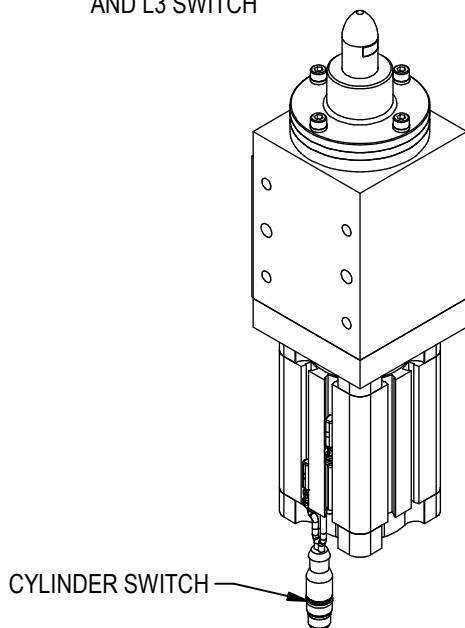
Option	QTY	Switch Part #	Wire	Output	Mfg
L3	1	SWITCH L3**	4	PNP	Welker
	1	SWITCH L3S** Single sensor, single connector switch: 1 switch required for retract cylinder	3	PNP	
L5	3	MK5113	3	NPN	ifm Efeotor

Standard Switch Option - All other options may affect price and delivery

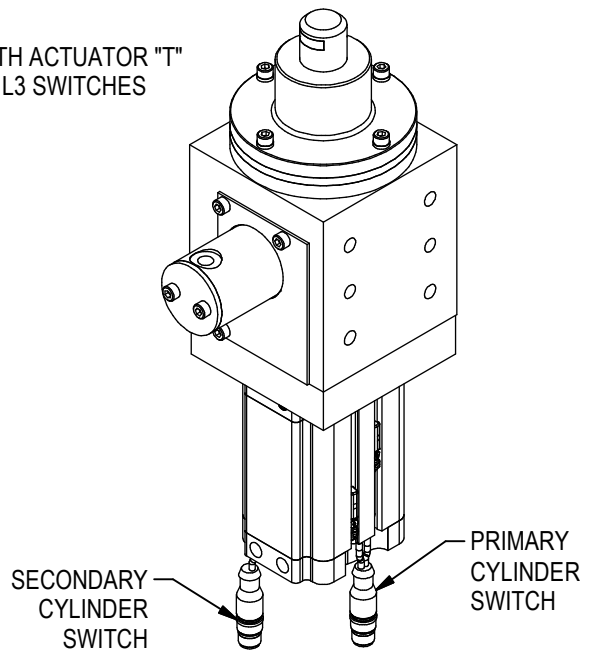
All switches are DC M12 X 1, Quick Disconnect

**L3 switch is weld field immune, comparable to World Switches. Note that some mid and low frequency DC resistance applications (i.e. aluminum resistance welding applications) may cause a fault. In these applications, it is recommended that the sensor be ignored/bypassed during the welding cycle.

PCS WITH ACTUATOR "B"
AND L3 SWITCH



PCM WITH ACTUATOR "T"
AND L3 SWITCHES



(DO NOT SCALE DRAWING)

WELKER
 ENGINEERED PRODUCTS
 800-229-0890 www.welkerproducts.com

BACKUP OPTIONS

C **2500** **A** **B** **A** **R** **D** **035** **K** **A**

SEE SHEET 14 FOR REPLACEMENT
PIN CARTRIDGE & BACKUP
ORDERING INFORMATION

BACKUP DIAMETER RANGE
(1mm INCREMENTS)

MIN **035** TO MAX **050** "C" & "T" SERIES
051 TO **075** "M" SERIES

OPTIONS

- A** STANDARD STEEL BACKUP
- B** STEEL LONG BACKUP
- C** ALUMINUM BRONZE BACKUP
- D** ALUMINUM BRONZE LONG BACKUP

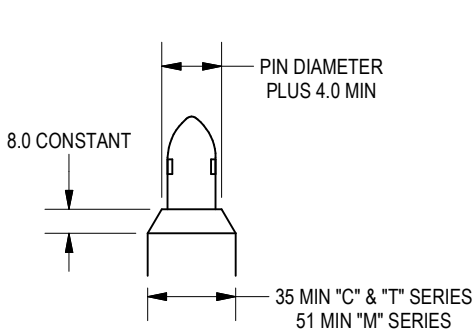
Backup Distance

OPTION "K": 14mm (for Clamping Range: 0.1 - 4mm)

OPTION "N": 17mm (for Clamping Range: 4.1 - 7mm)

NOTE: LOCATING PIN RETRACTS TO ACTUATE CLAMP FINGERS. CLAMP FINGERS ARE EXTENDING DURING THE FIRST 10mm OF PIN TRAVEL AND THEN TRAVELS LINEARLY UNTIL CLAMPED.

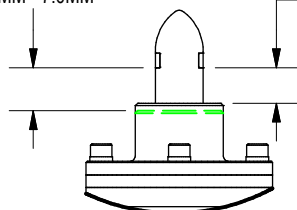
FOR SPECIAL PART CLAMP RANGES, CONTACT WELKER



**BACKUP DIMENSIONS FOR DIAMETERS
LESS THAN THE MINIMUM SHOWN**

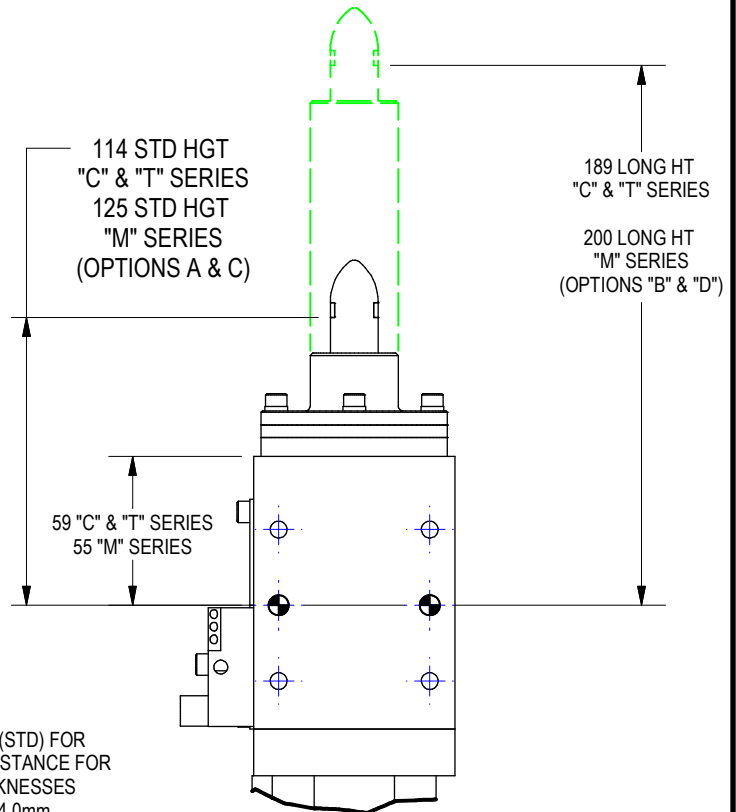
EXAMPLE: TO ORDER A "C" SERIES WITH
ø18.85 PIN AND A ø25.0 BACKUP TOUCHING
THE PART, USING THE ABOVE ORDER
NUMBER, ORDER #C1885AAARD025KA

OPTION "N" (STD) FOR
17.0 BACKUP DISTANCE
FOR PART THICKNESSES
4.0MM - 7.0MM



STANDARD BACKUP DISTANCES

OPTION "K" (STD) FOR
14.0 BACKUP DISTANCE FOR
PART THICKNESSES
0.1mm - 4.0mm



(DO NOT SCALE DRAWING)

WELKER
ENGINEERED PRODUCTS
800-229-0890 www.welkerproducts.com

PIN CLAMP DESIGN GUIDELINES

1. FOR HORIZONTAL APPLICATIONS, ORIENTATION OF THE CLAMP FINGER MOVEMENT SHOULD BE PARALLEL TO THE GROUND FOR ROUND HOLES. SEE GENERAL DIMENSION SHEET FOR MAXIMUM SIDE LOADS.
2. PROXIMITY OF SOME WELD APPLICATIONS TO THE PIN CLAMP COULD AFFECT THE LIFE OF THE PIN AND CLAMP FINGERS.
3. IMPACT LOADING AND EXCESSIVE SIDE LOADING MUST BE AVOIDED. FOR ROBOTICS AND HARD AUTOMATION APPLICATIONS, THE LOCATING PINS NEED TO ENGAGE AND DISENGAGE AT LOAD AND UNLOAD.
4. WELKER ENGINEERED PRODUCTS DOES NOT RECOMMEND MORE THAN ONE 4-WAY AND ONE 2-WAY LOCATING DEVICE IN A COMMON GEO SETTING APPLICATION. PIN BIND AND EXCESSIVE SIDE LOAD MAY RESULT. IF A GEO SETTING APPLICATION REQUIRES MULTIPLE LOCATING DEVICES, CONTACT WELKER.
5. ALL PIN CLAMPS ARE DESIGNED TO BE OPERABLE UP TO 110 psi MAX.
6. PIN CLAMP PNEUMATIC ACTUATORS HAVE INTEGRATED FLOW RESTRICTIVE ORIFICES. FLOW CONTROLS ARE NOT REQUIRED.

WARRANTY

WELKER ENGINEERED PRODUCTS WARRANTS TO ITS CUSTOMERS PURCHASING PIN CLAMPS MANUFACTURED BY WELKER THAT THESE UNITS ARE FREE FROM DEFECTS IN WORKMANSHIP AND MATERIALS. WELKER WARRANTS IT WILL REPAIR DEFECTS IN ITS MANUFACTURE DETERMINED BY WELKER TO HAVE OCCURRED AS A RESULT OF DEFECTIVE WORKMANSHIP AND /OR MATERIALS. THIS WARRANTY AUTOMATICALLY EXPIRES AT THE EARLIER OF THREE YEARS FROM THE DATE OF WELKER BEARING'S SHIPMENT OF THE PRODUCTS TO ITS CUSTOMER, OR THREE MILLION CYCLES. THE AFOREMENTIONED WARRANTY SHALL NOT APPLY IF WELKER DETERMINES THE PIN CLAMP(S) WERE MISAPPLIED, ABUSED, OR MODIFIED BY THE CUSTOMER. WITH THE EXCEPTION OF THE THREE YEAR OR THREE MILLION CYCLE WARRANTY ON DEFECTIVE WORKMANSHIP AND MATERIALS, WELKER BEARING MAKES NO EXPRESS WARRANTY, NO WARRANTY OF MERCHANTABILITY, NO WARRANTY OF FITNESS FOR A PARTICULAR PURPOSE AND NO WARRANTY WHICH EXTENDS BEYOND THIS WRITING ON WELKER MANUFACTURED PIN CLAMPS SOLD BY WELKER BEARING.

LOCATING PINS AND CLAMP FINGERS ARE CONSIDERED WEAR ITEMS AND AS SUCH ARE NOT INCLUDED IN THIS WARRANTY UNLESS THERE IS A MANUFACTURING DEFECT AS STATED ABOVE.

UNDER NO CIRCUMSTANCES SHALL WELKER BEARING BE LIABLE TO ANYONE FOR INCIDENTAL, CONSEQUENTIAL, EXEMPLARY, SPECIAL OR PUNITIVE DAMAGES WHETHER DIRECT OR INDIRECT, INCLUDING, BUT NOT LIMITED TO DOWN TIME, ARISING OUT OF OR RELATED TO ANY PRODUCTS SOLD OR MANUFACTURED BY WELKER ENGINEERED PRODUCTS.

ANY PRODUCT THOUGHT TO BE DEFECTIVE IN WORKMANSHIP OR MATERIALS MUST BE RETURNED TO WELKER FREIGHT PREPAID FOR EVALUATION. WELKER SHALL NOT BE LIABLE FOR LABOR COST INCURRED IN THE REMOVAL OF A PART, DEFECTIVE PART OR THE INSTALLATION OF ANY REPLACEMENT PART.

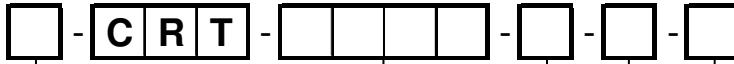
ALL PNEUMATIC PIN CLAMPS ARE SHIPPED WITH INTERNAL OR EXTERNAL FLOW RESTRICTORS. IF THESE RESTRICTORS ARE REMOVED OR BYPASSED, THE WARRANTY IS VOID.

(DO NOT SCALE DRAWING)



REPLACEMENT PIN CLAMP CARTRIDGES

SEE SHEET 5 FOR PIN TYPES AND FINGER ORIENTATION



Series

- T PCT Body
- C PCS Body
- M PCM Body

Pin Diameter*

- 12.00-16.00 T Series
- 16.01-25.00 C Series
- 25.01-40.00 M Series

*Pin diameter to 2 decimal places

Pin Type

- A Bullet Nose Pin w/ fingers at 0°
- B Bullet Nose Pin w/ fingers at 90°
- C Bullet Nose 2-way Pin w/ fingers @ 0° **
- D Bullet Nose 2-way Pin w/ fingers @ 90° **
- E Low Profile Pin w/ fingers at 0°
- F Low Profile Pin w/ fingers at 90°
- G Low Profile 2-Way Pin w/ fingers @ 0° **
- H Low Profile 2-Way Pin w/ fingers @ 90° **

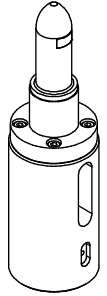
** Not available on PCT with pin diameters 12.00 - 12.99

Options

- G Electric actuator
- T Retractable cartridge

Backup

- Std Standard Backup
 - Long Long Backup
- (Backups must be ordered separately)



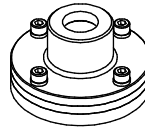
Cartridge ordering examples:

- C-CRT-16.00-A-STD
- M-CRT-40.00-B-LONG
- C-CRT-19.00-A-STD-T

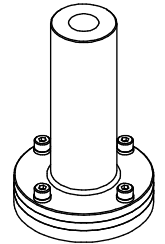
REPLACEMENT BACKUP

ALL BACKUPS INCLUDE A BACKUP, BACKUP RING WITH SEAL, SPACER & HARDWARE
SEE SHEET 12 FOR BACKUP OPTIONS

OPTIONS A & C
STANDARD
BACKUP



OPTIONS B & D
LONG
BACKUP



Series

- T PCT Body
- C PCS Body
- M PCM Body

Pin Diameter*

- 12.00-16.00 T Series
- 16.01-25.00 C Series
- 25.01-40.00 M Series

*Pin diameter to 2 decimal places

Backup Diameter

- 035-050 (Ø35-Ø50mm) C & T Series
- 051-075 (Ø51-Ø75mm) M Series

Options

- A Std Steel Backup
- B Steel Long Backup
- C Alum Bronze Backup
- D Alum Bronze Long Backup

Backup Distance

- K 14mm (for clamping range 0.1 - 4mm)
- N 17mm (for clamping range 4.1 - 7mm)

Backup ordering example:
CE06C-16.00-035-K-A

(DO NOT SCALE DRAWING)



ENGINEERED PRODUCTS

800-229-0890 www.welkerproducts.com