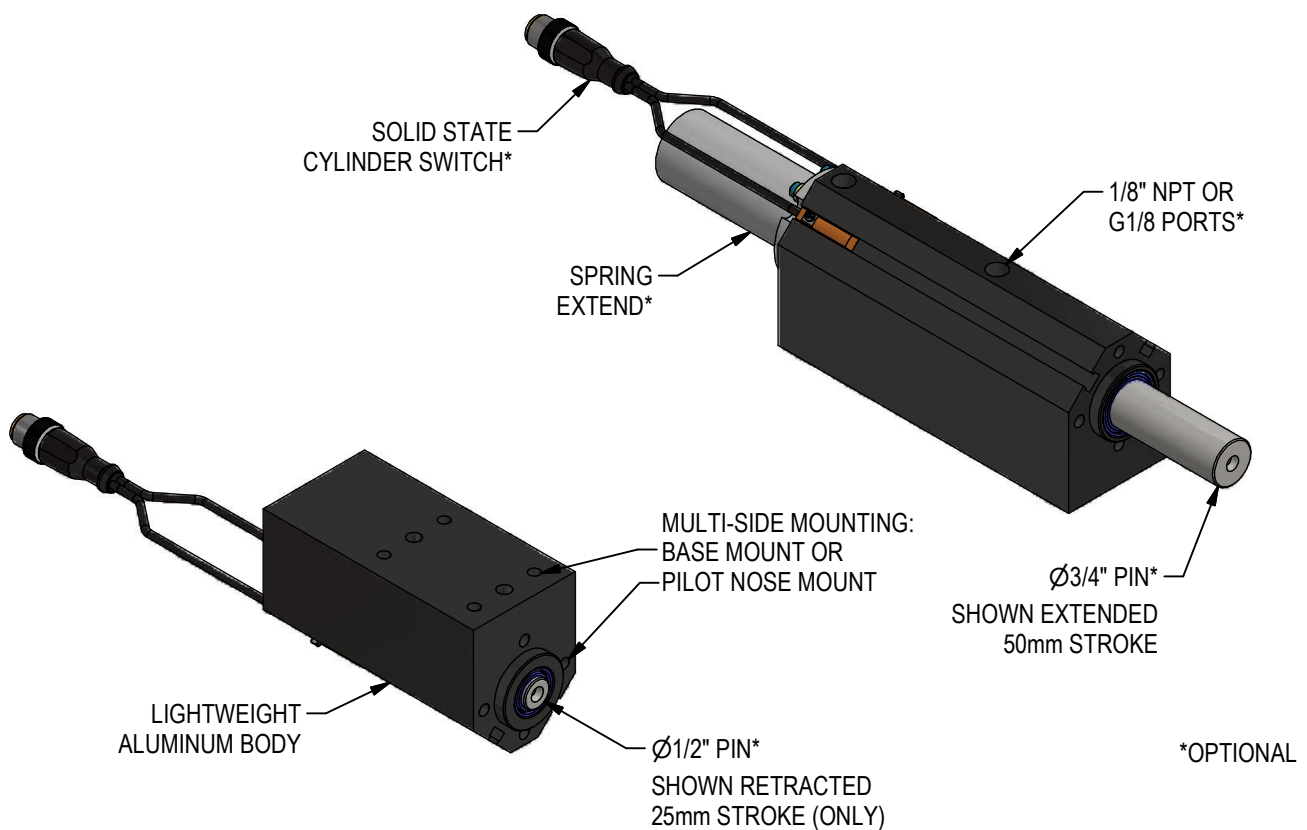


BP1 LOCKOUT PIN

750 LBF LOCKOUT LOAD CAPACITY: $\phi 3/4$ " PIN, 25 & 50mm STROKE

500 LBF LOCKOUT LOAD CAPACITY: $\phi 1/2$ " PIN, 25mm STROKE

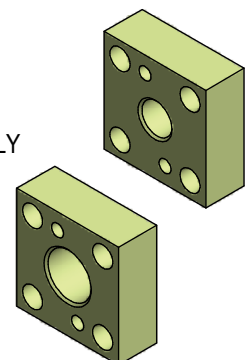


LOCKOUT PIN FEATURES

- PNEUMATIC, DOUBLE ACTING RETRACTABLE PIN
- ALL PINS ARE HARDENED 4140, Rc 45 MIN
- OPTIONAL SPRING EXTEND (AIR LOSS TRIGGERS MECHANICAL SPRING EXTENSION)
- PNEUMATIC 30MM BORE INTEGRATED CYLINDER

LOCKOUT RECEIVERS

ORDERED SEPARATELY
SEE SHEET 4



RELEASED 7/13/22

ORDERING INFORMATION



Stroke _____
025 25mm Stroke ~ Pin Style A & B
050 50mm Stroke ~ Pin Style A only

Pin Style _____
A 3/4" Dia Pin
B 1/2" Dia Pin

Actuator _____
N NPT port Cylinder
G G Port Cylinder

Spring Extend _____
X No Spring
E Spring Ext

Switch _____
00 No Switch
LX See Switch chart below

SPRING EXTEND OPTION "E": SPRING FORCE	
STROKE	SPRING LOAD
25mm STROKE EXTENDED	10.0 LBF
50mm STROKE EXTENDED	2.0 LBF
FULLY RETRACTED	20.2 LBF

Switch	Part Number	Manufacturer	Description
L3	SWITCH L3* L3 sw itch is w eld field immune, comparable to World Sw itches. Dual sensor sw itch, 1 per cylinder	Welker	4-Wire, 4-Pin, DC (PNP) M12 X 1 Quick Disconnect
L5	MK5113 Single sensor sw itch, 2 sw itches per cylinder	ifm Efector	3-Wire, 4-Pin, DC (NPN) M12 X 1 Quick Disconnect

Standard Switch Option - All other options may affect price and delivery

*Note that some mid and low frequency DC resistance applications (i.e. aluminum resistance w elding applications) may cause a fault. In these applications, it is recommended that the sensor be ignore or bypassed during the w elding cycle.

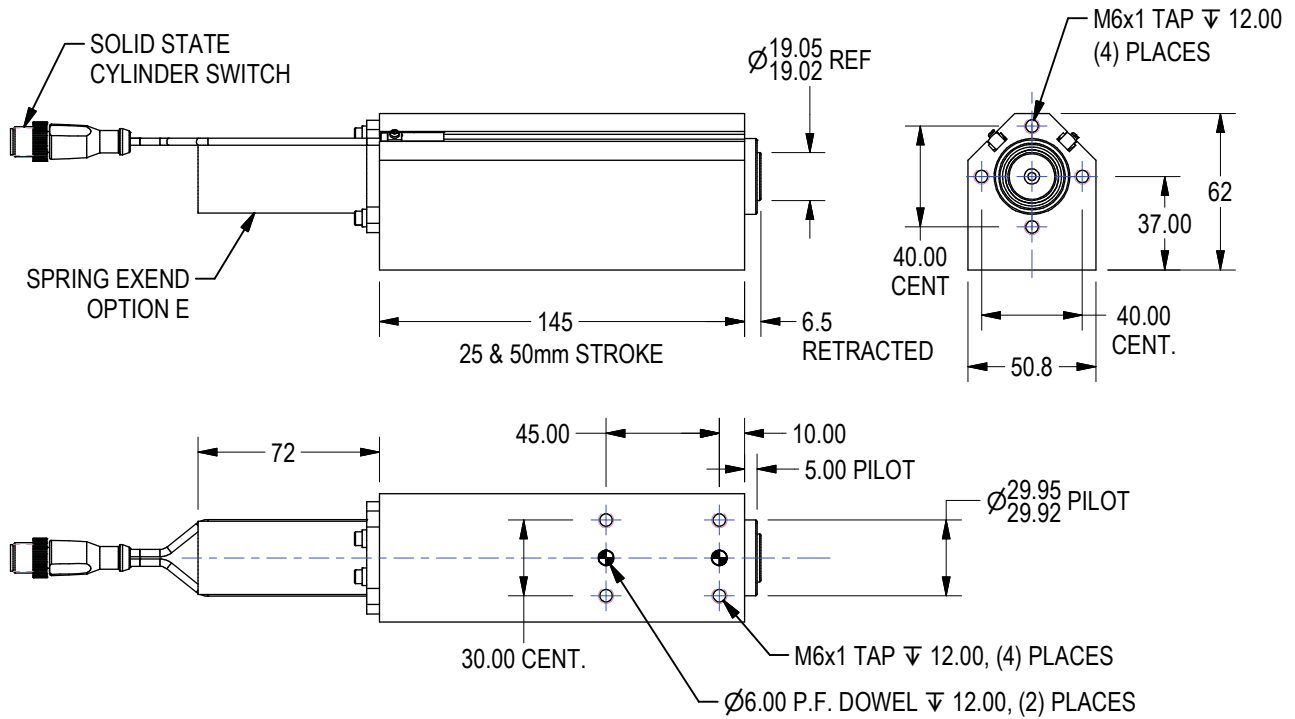
(DO NOT SCALE DRAWING)



GENERAL DIMENSIONS

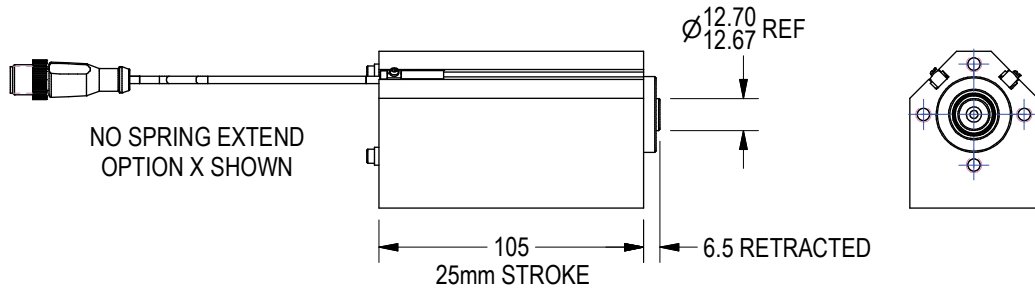
BP1 WITH PIN STYLE A: 3/4" DIAMETER

SHOWN IN RETRACTED POSITION



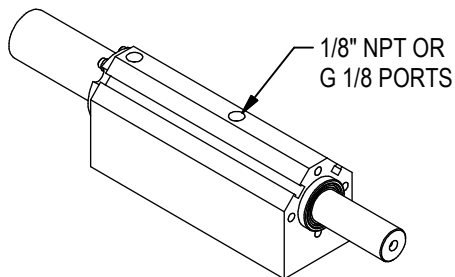
BP1 WITH PIN STYLE B: 1/2" DIAMETER

SHOWN IN RETRACTED POSITION



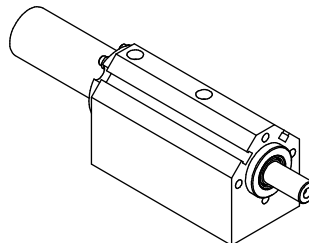
BP1 WITH PIN STYLE A: 3/4" \varnothing

SHOWN IN EXTENDED POSITION



BP1 WITH PIN STYLE B: 1/2" \varnothing

SHOWN IN EXTENDED POSITION ~ 25mm STROKE ONLY



UNIT WEIGHT: 3.1 LBS

UNIT WEIGHT: 2.1 LBS

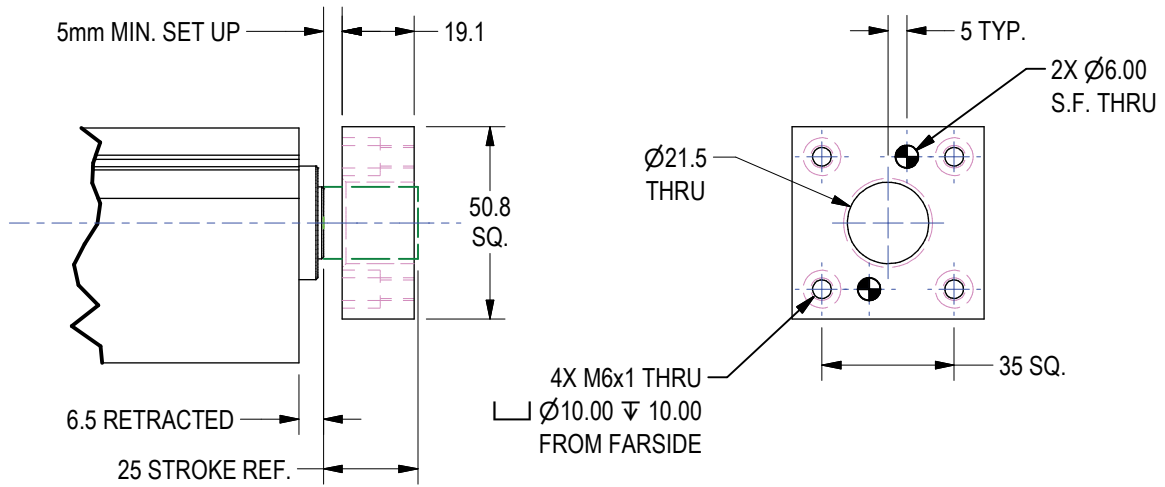
(DO NOT SCALE DRAWING)

BP1 CLEARANCE RECEIVERS

ORDER SEPARATELY

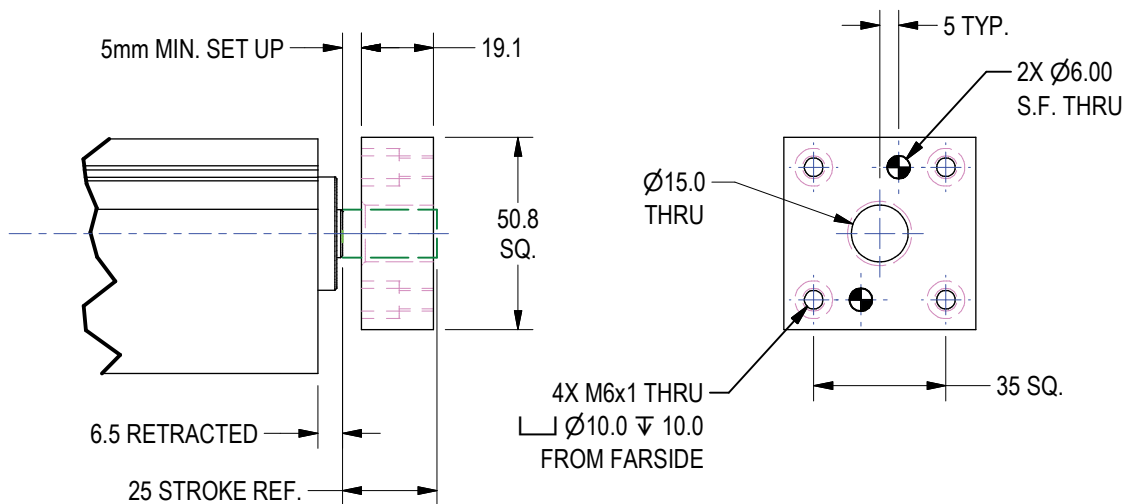
BP1E95A LOCKOUT PIN RECEIVER

PIN STYLE A ~ 3/4" PIN DIAMETER, 25mm & 50mm STROKE



BP1E95B LOCKOUT PIN RECEIVER

PIN STYLE B ~ 1/2" PIN DIAMETER, 25mm STROKE



(DO NOT SCALE DRAWING)

WELKER
ENGINEERED PRODUCTS
800-229-0890 www.welkerproducts.com