



Flexible Automation Components

Locate · Clamp · Position · Eject · Slide · Lift · Lockout · Index



In this Issue:

New Look for Welker Products

Slide Calculator Now Available

Welker Exhibiting at IMTS in Chicago

New look!

Welker products are “putting on the tuxedo” for a new look! Steel details that have been traditionally gold in color will now be black. The new look will be gradually applied, as existing gold inventory is depleted. Gold will still be available, upon request, to maintain existing program appearance.



Slide Calculator now available!

The new Welker online calculator is now available for R2, NL3, WL3, LP and VOSS series power slides. Easy to use – enter stroke, payload, offsets, and unit inclines. The calculator will determine the available capacity or indicate the alternate slide(s) suited to handle your payload. Saved calculations are printed to PDF, and accessible for 90 days via My Account (user account required).

Power Slide Calculator

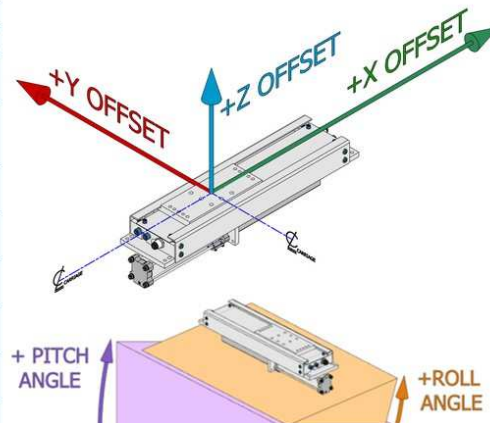
Released 7/5/22

Saved calculations will be accessible for 90 days. To access saved calculations on the Welker website, go to **My Account** > **Calculator** tab.

Debug?

Select
Instructions

Input	Value	Unit
SLIDE MODEL	LPM	Metric
DESIRED PAYLOAD Payload: Up to 113 kg	100	kg
TOTAL STROKE Standard stroke: 75 , 135 , 195 , 255 , 315 , 375 , 435 , 495 mm	255	mm
X-OFFSET (SEE IMAGE) Recommended Range: ± 260 mm	0	mm
Y-OFFSET (SEE IMAGE) Recommended Range: ± 180 mm	0	mm
Z-OFFSET (SEE IMAGE) Recommended Range: ± 180 mm	100	mm
PITCH ANGLE (SEE IMAGE) Range: ± 360 deg	0	deg
ROLL ANGLE (SEE IMAGE) Range: ± 360 deg	0	deg
LINE PRESSURE Pressure: From 60 psi	60	psi



Notes: Angles shown are positive, for an opposite orientation use negative angle inputs. A positive (+) pitch angle indicates cylinder extends upward; a negative (-) pitch angle indicates the cylinder extends downward.

Welker at IMTS

Welker will be in Chicago, September 12-17, for the International Manufacturing Technology Show. Visit the Sales Team and say hello. Booth locations are changing - click on Find Exhibitors when arriving.

<https://www.imts.com/>

See you there!

