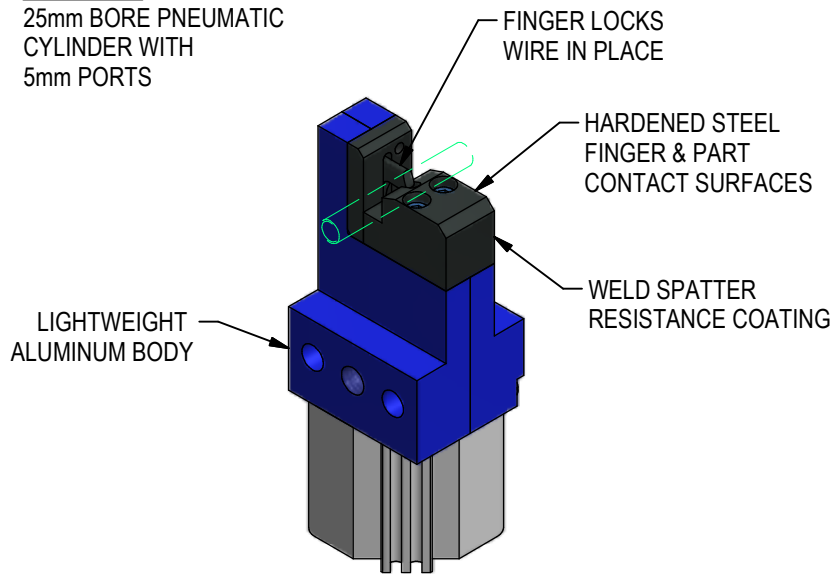


WIRE CLAMP

FOR WIRE DIAMETERS 4mm THRU 10mm

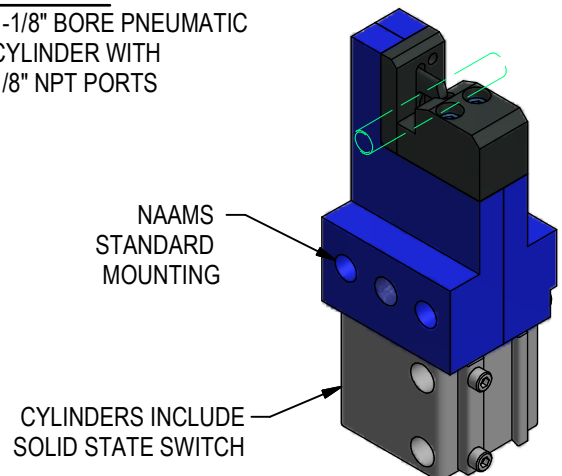
S01728

25mm BORE PNEUMATIC CYLINDER WITH 5mm PORTS



S02128

1-1/8" BORE PNEUMATIC CYLINDER WITH 1/8" NPT PORTS



APPLICATIONS:

SEATING

INSTRUMENT PANELS

APPLIANCE MANUFACTURING

EXHAUST

RELEASED 9/29/15

ORDERING INFORMATION

S 0 1 7 2 8 - [] [] [] 0 0 []

Series

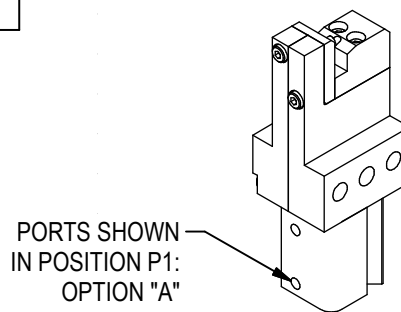
S01728 Welker Wire Clamp
25mm Pneumatic Cylinder
5mm ports

Wire

070 4.0mm thru 10.0mm Wire Diameters
Example : 070 = 7.0mm Wire Diameter

Port Position

- A** P1 Port Position
- B** P2 Port Position
- C** P3 Port Position
- D** P4 Port Position



S 0 2 1 2 8 - [] [] [] 0 0 []

Series

S02128 Welker Wire Clamp
1-1/8" Pneumatic Cylinder
1/8" NPT ports

Wire

070 4.0mm thru 10.0mm Wire Diameters
Example : 070 = 7.0mm Wire Diameter

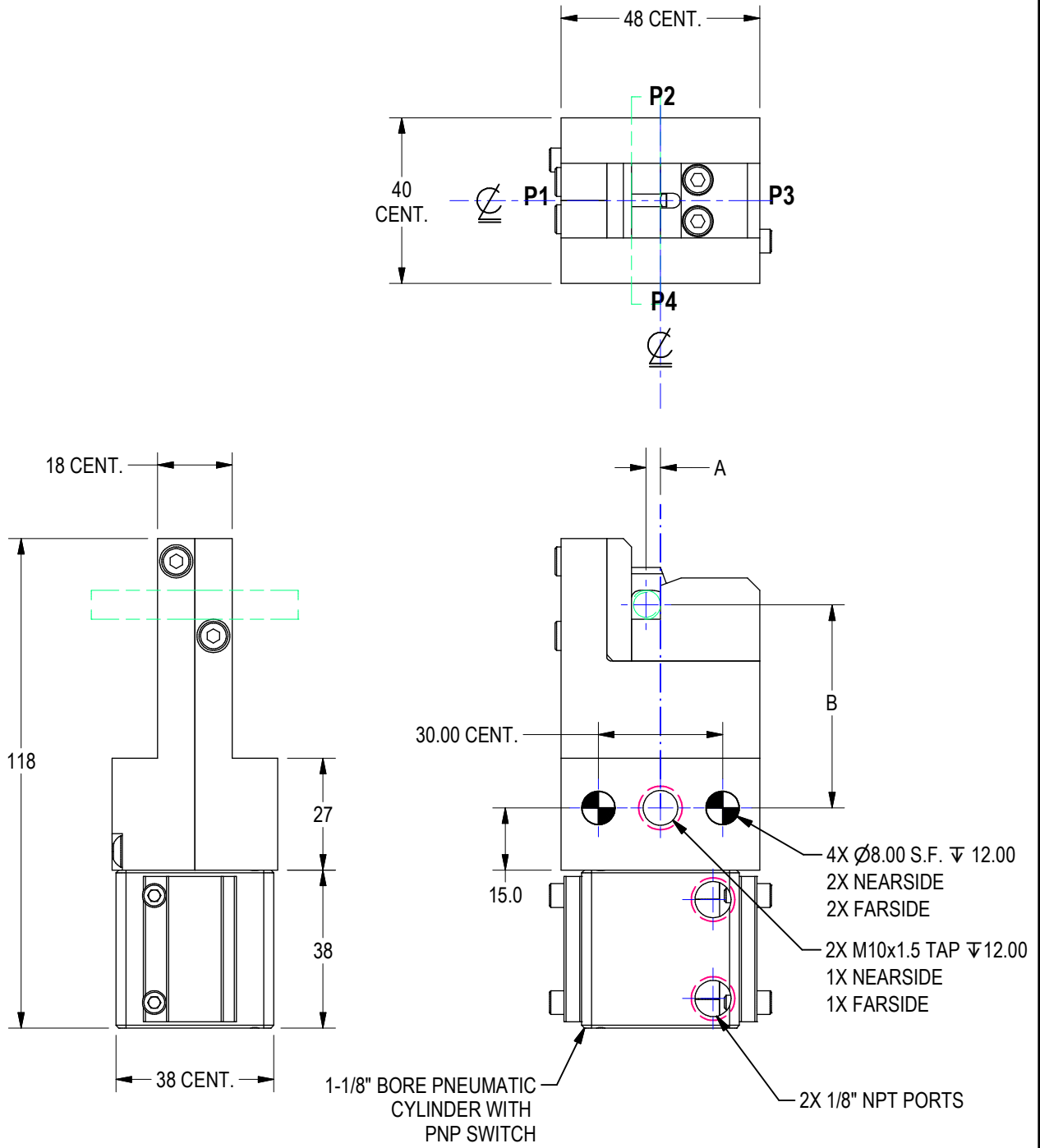
Port Position

- A** P1 Port Position
- B** P2 Port Position
- C** P3 Port Position
- D** P4 Port Position

(DO NOT SCALE DRAWING)



S02128 GENERAL DIMENSIONS



WIRE DIA.	DIM. A	DIM. B
4mm	5.0	50.5
7mm	3.5	49.0
10mm	2.0	47.5

(DO NOT SCALE DRAWING)

WELKER
ENGINEERED PRODUCTS
800-229-0890 www.welkerproducts.com