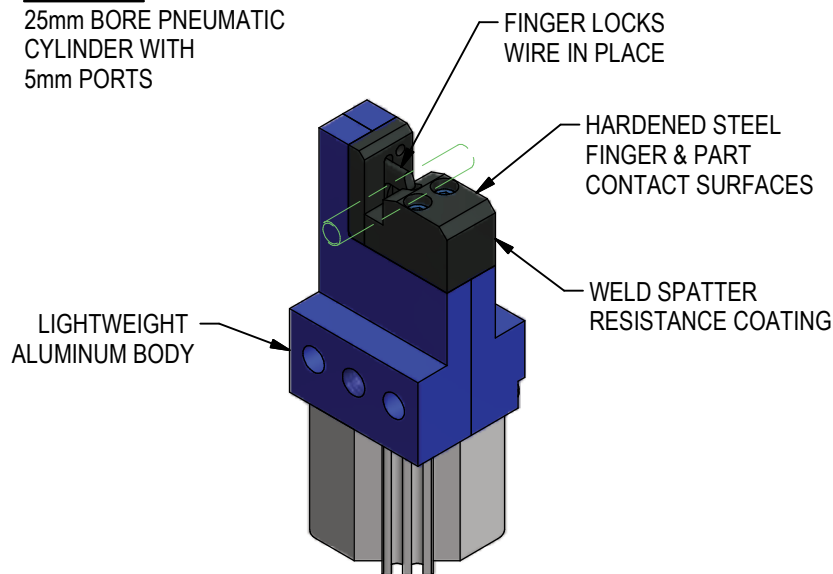


WIRE CLAMP

FOR WIRE DIAMETERS 3mm THRU 10mm

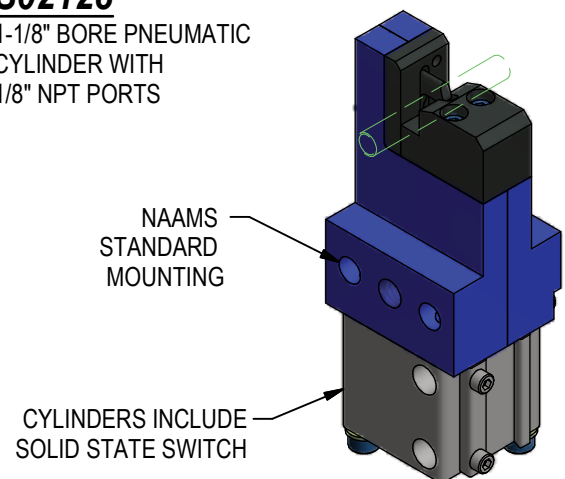
S01728

25mm BORE PNEUMATIC CYLINDER WITH 5mm PORTS



S02128

1-1/8" BORE PNEUMATIC CYLINDER WITH 1/8" NPT PORTS



APPLICATIONS:

SEATING
INSTRUMENT PANELS
APPLIANCE MANUFACTURING
EXHAUST

RELEASED 7/30/18

ORDERING INFORMATION

NOTE: ALL BOXES MUST BE FILLED IN FOR A COMPLETE PART NUMBER

S	0																		
---	---	--	--	--	--	--	--	--	--	--	--	--	--	--	--	--	--	--	--

Series _____

S01728 Welker Wire Clamp with
25mm Pneumatic Cylinder
5mm ports

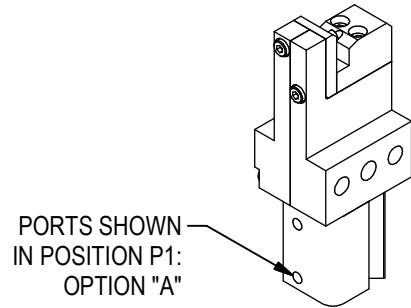
S02128 Welker Wire Clamp with
1-1/8" Pneumatic Cylinder
1/8" NPT ports

Wire _____

070 3.0mm thru 10.0mm Wire Diameters
Example : 070 = 7.0mm Wire Diameter

Port Position _____

- A** P1 Port Position
- B** P2 Port Position
- C** P3 Port Position
- D** P4 Port Position



WIRE CLAMP WORKSHEET

Project	Station #	Date	
Customer	Contact	Email	Phone

NOMINAL WIRE DIAMETER: _____ + Tolerance ± _____ = _____ Max Dia.

Part print attached

RECOMMENDED OPENING SIZE:

Series	Application	Opening size
S01728	ALL	Maximum diameter + 0.2mm
S02128	ALL	Maximum diameter + 0.2mm

Part # _____

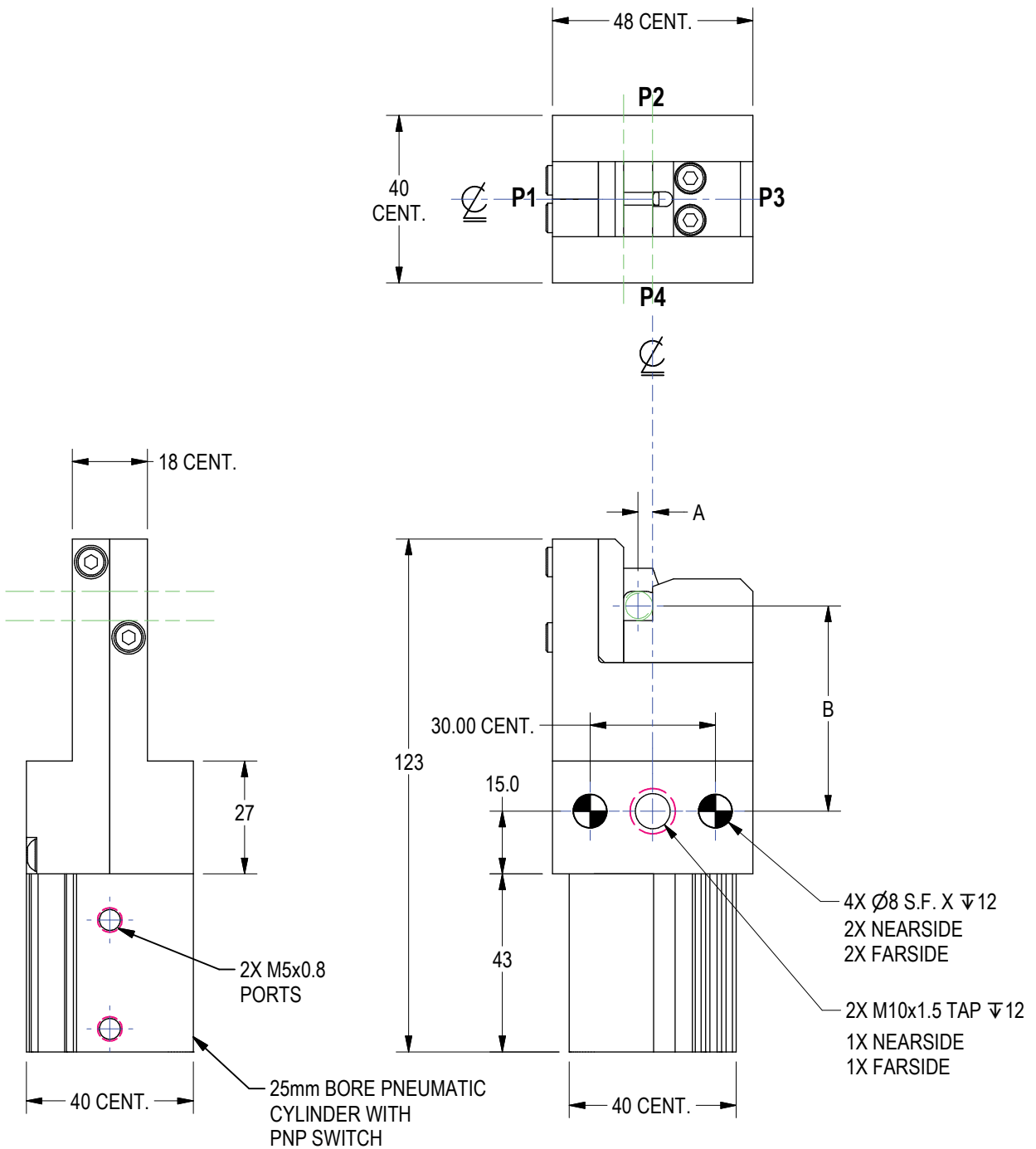
Approval _____

(DO NOT SCALE DRAWING)

ENGINEERED PRODUCTS

800-229-0890 www.welkerproducts.com

S01728 GENERAL DIMENSIONS

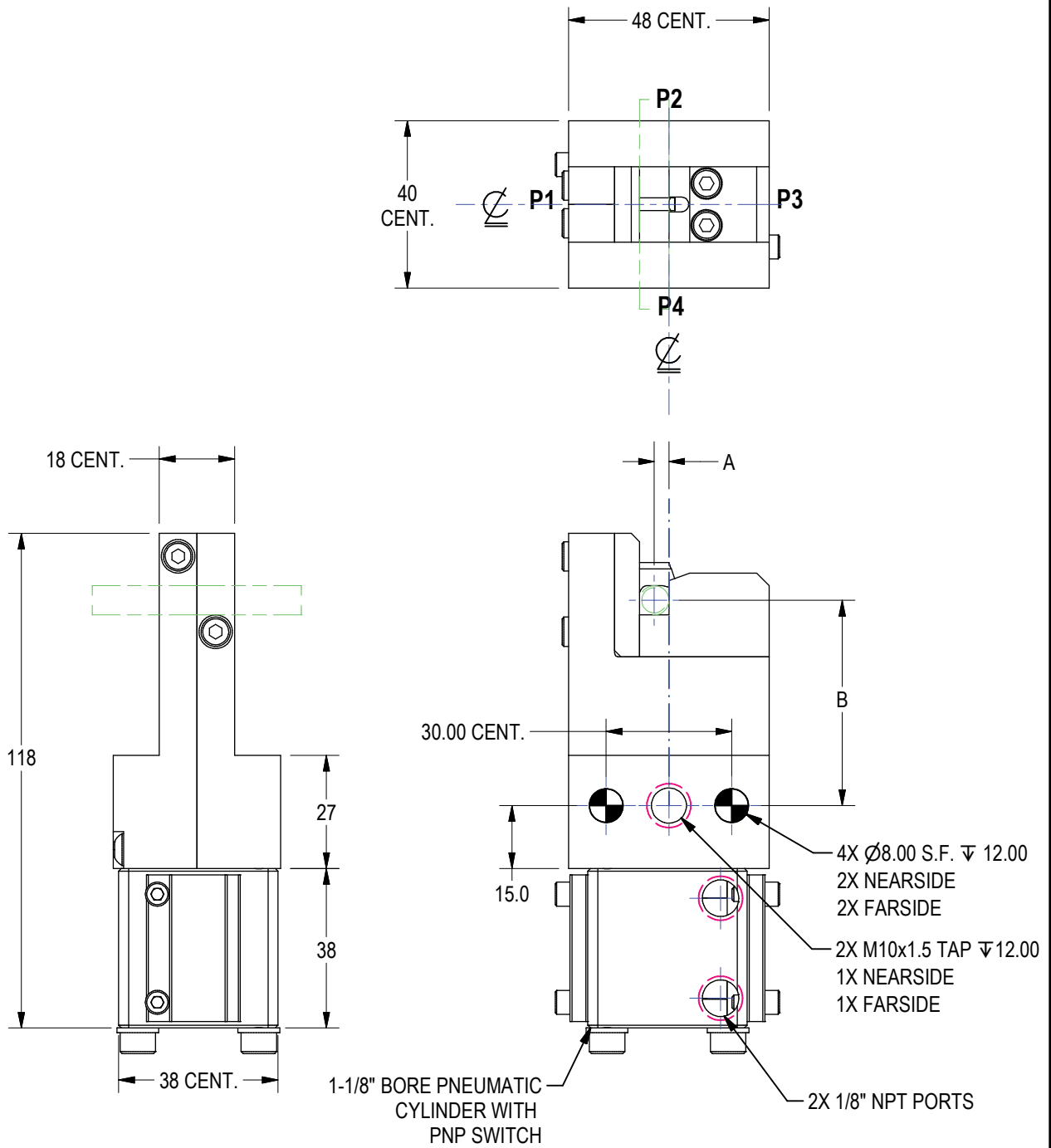


WIRE DIA.	DIM. A	DIM. B
3mm	5.5	51.0
4mm	5.0	50.5
7mm	3.5	49.0
10mm	2.0	47.5

(DO NOT SCALE DRAWING)

WELKER
ENGINEERED PRODUCTS
800-229-0890 www.welkerproducts.com

S02128 GENERAL DIMENSIONS



WIRE DIA.	DIM. A	DIM. B
3mm	5.5	51.0
4mm	5.0	50.5
7mm	3.5	49.0
10mm	2.0	47.5

(DO NOT SCALE DRAWING)

WELKER
ENGINEERED PRODUCTS
800-229-0890 www.welkerproducts.com