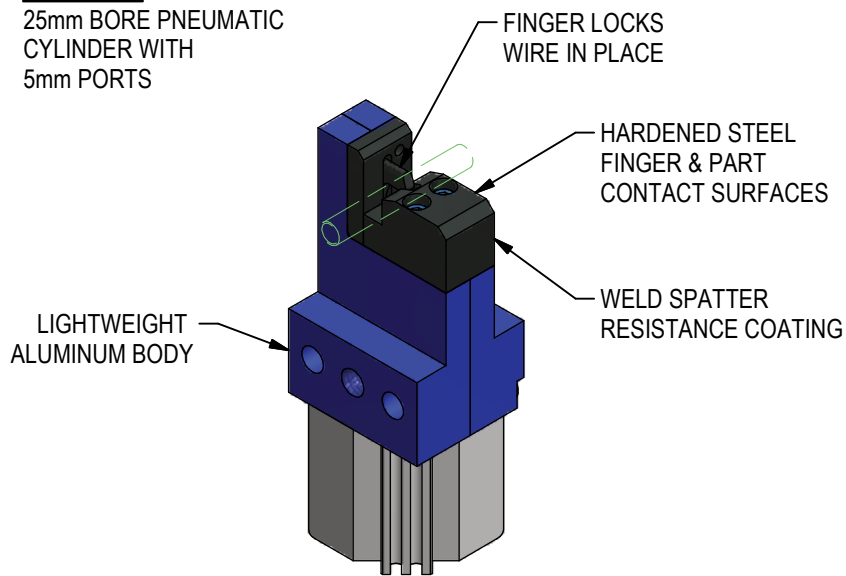


## WIRE CLAMP

FOR WIRE DIAMETERS 3mm THRU 10mm

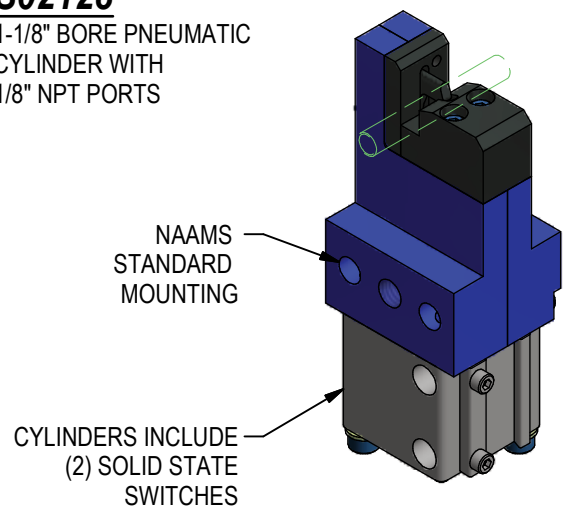
### **S01728**

25mm BORE PNEUMATIC CYLINDER WITH 5mm PORTS



### **S02128**

1-1/8" BORE PNEUMATIC CYLINDER WITH 1/8" NPT PORTS



### APPLICATIONS:

SEATING

INSTRUMENT PANELS

APPLIANCE MANUFACTURING

EXHAUST

RELEASED 7/1/20

# ORDERING INFORMATION

NOTE: ALL BOXES MUST BE FILLED IN FOR A COMPLETE PART NUMBER

S	0					-					0	0	
---	---	--	--	--	--	---	--	--	--	--	---	---	--

**Series** \_\_\_\_\_

**S01728** Welker Wire Clamp with  
25mm Pneumatic Cylinder  
5mm ports

**S02128** Welker Wire Clamp with  
1-1/8" Pneumatic Cylinder  
1/8" NPT ports

**Wire** \_\_\_\_\_

**070** 3.0mm thru 10.0mm Wire Dia.  
Example : 070 = 7.0mm Wire Dia.

**Actuator** \_\_\_\_\_

**00** With Cylinder

**LC** Without Cylinder

**Port Position** \_\_\_\_\_

**A** P1 Port Position

**B** P2 Port Position

**C** P3 Port Position

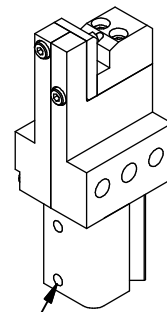
**D** P4 Port Position

**0** Without Cylinder

**REPLACEMENT CYLINDERS**

ORDER #S01728-CYL

ORDER #S02128-CYL



PORTS SHOWN  
IN POSITION P1:  
OPTION "A"

## WIRE CLAMP WORKSHEET

Project	Station #	Date	
Customer	Contact	Email	Phone

**NOMINAL WIRE DIAMETER:** \_\_\_\_\_ + Tolerance ± \_\_\_\_\_ = \_\_\_\_\_ Max Dia.

Part print attached

**RECOMMENDED OPENING SIZE:**

Series	Application	Opening size
S01728	ALL	Maximum diameter + 0.2mm
S02128	ALL	Maximum diameter + 0.2mm

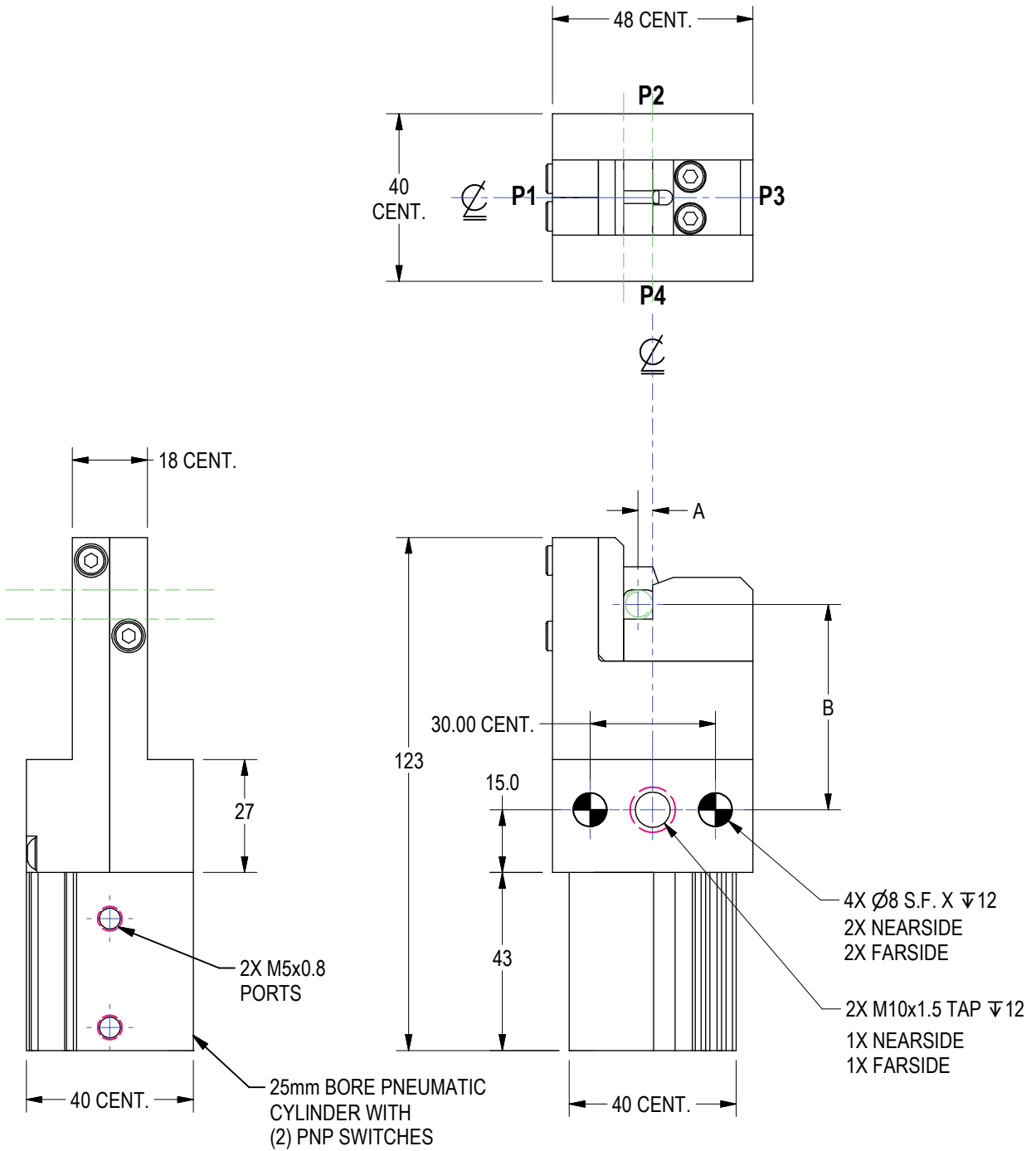
Part # \_\_\_\_\_

Approval \_\_\_\_\_

(DO NOT SCALE DRAWING)

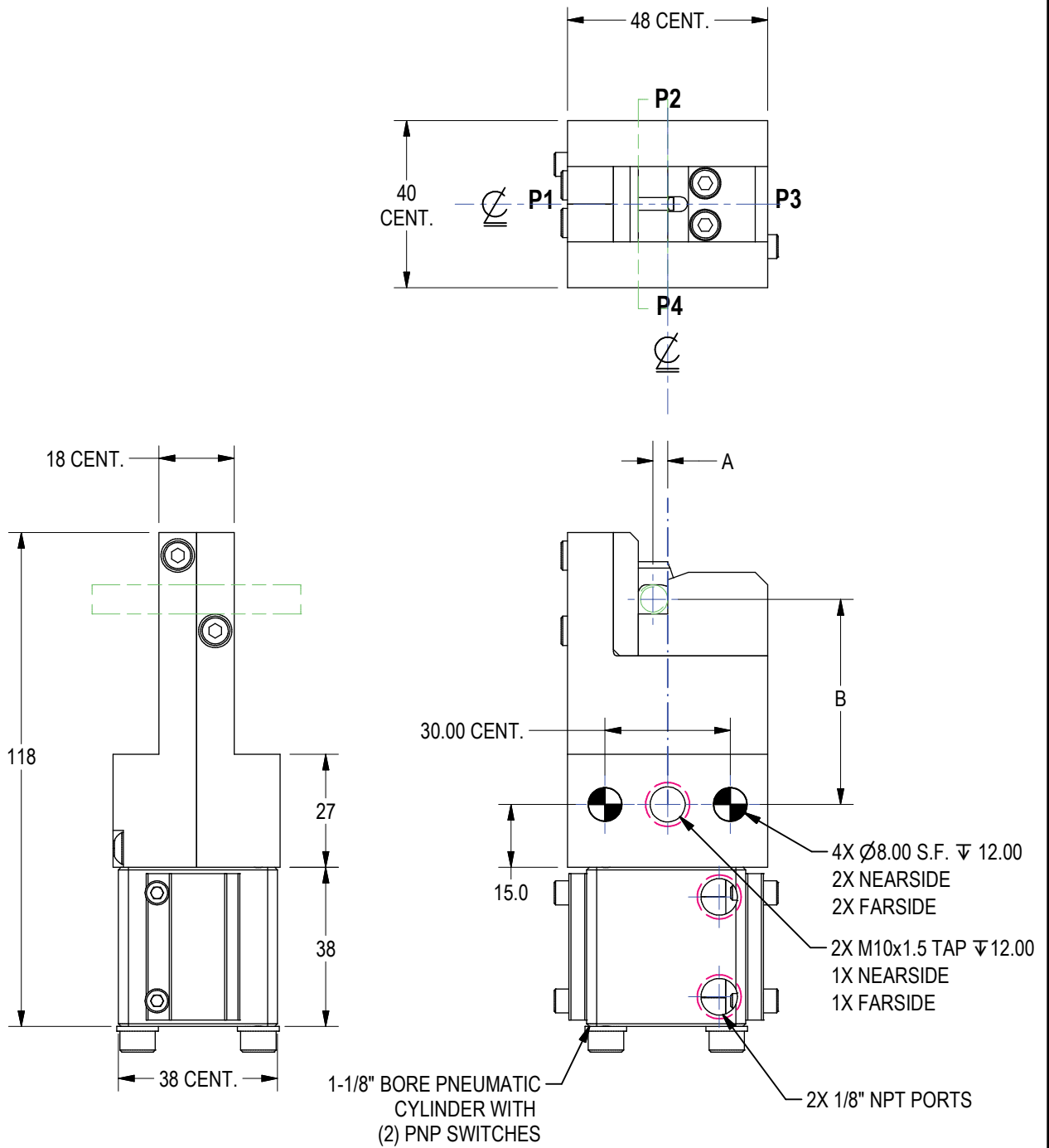


# S01728 GENERAL DIMENSIONS



WIRE DIA.	DIM. A	DIM. B
3mm	5.5	51.0
4mm	5.0	50.5
7mm	3.5	49.0
10mm	2.0	47.5

# S02128 GENERAL DIMENSIONS



WIRE DIA.	DIM. A	DIM. B
3mm	5.5	51.0
4mm	5.0	50.5
7mm	3.5	49.0
10mm	2.0	47.5

(DO NOT SCALE DRAWING)

**WELKER**  
ENGINEERED PRODUCTS  
800-229-0890 [www.welkerproducts.com](http://www.welkerproducts.com)