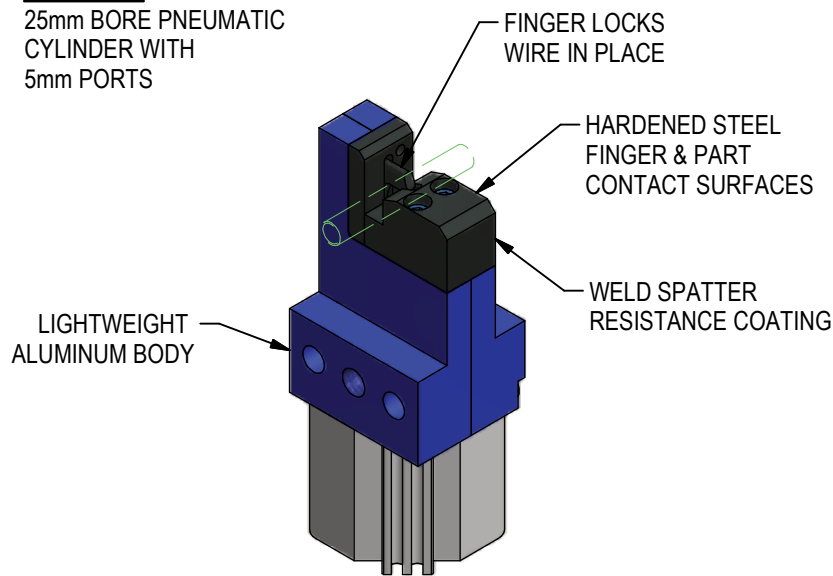


## WIRE CLAMP

FOR WIRE DIAMETERS 4mm THRU 10mm

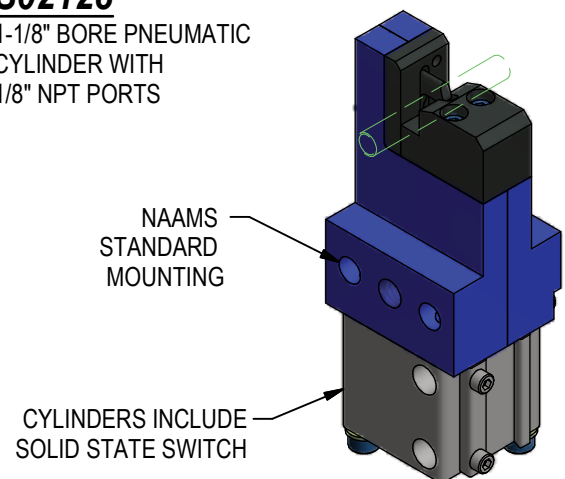
### **S01728**

25mm BORE PNEUMATIC CYLINDER WITH 5mm PORTS



### **S02128**

1-1/8" BORE PNEUMATIC CYLINDER WITH 1/8" NPT PORTS



### **APPLICATIONS:**

SEATING

INSTRUMENT PANELS

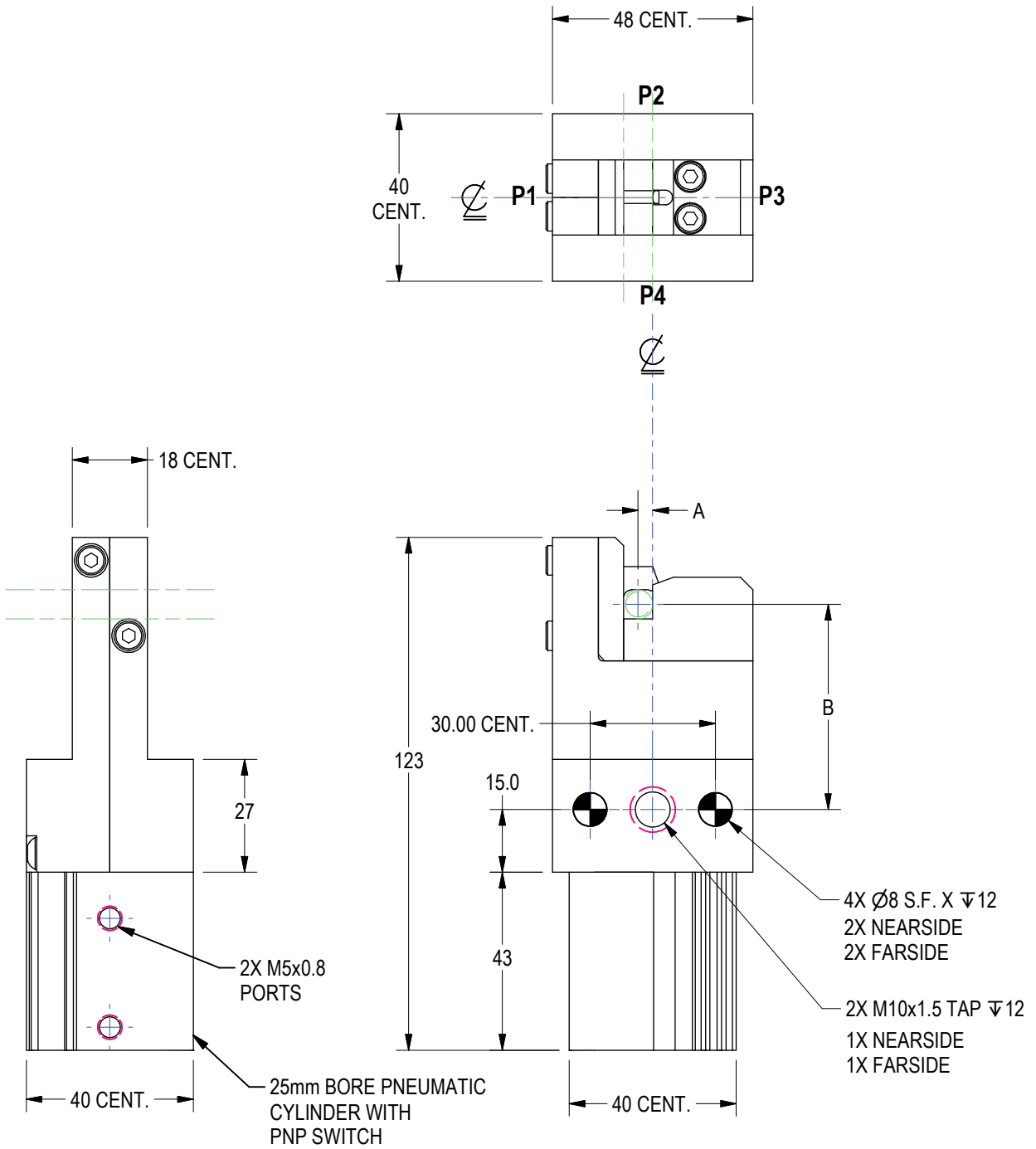
APPLIANCE MANUFACTURING

EXHAUST

RELEASED 10/18/17



# S01728 GENERAL DIMENSIONS

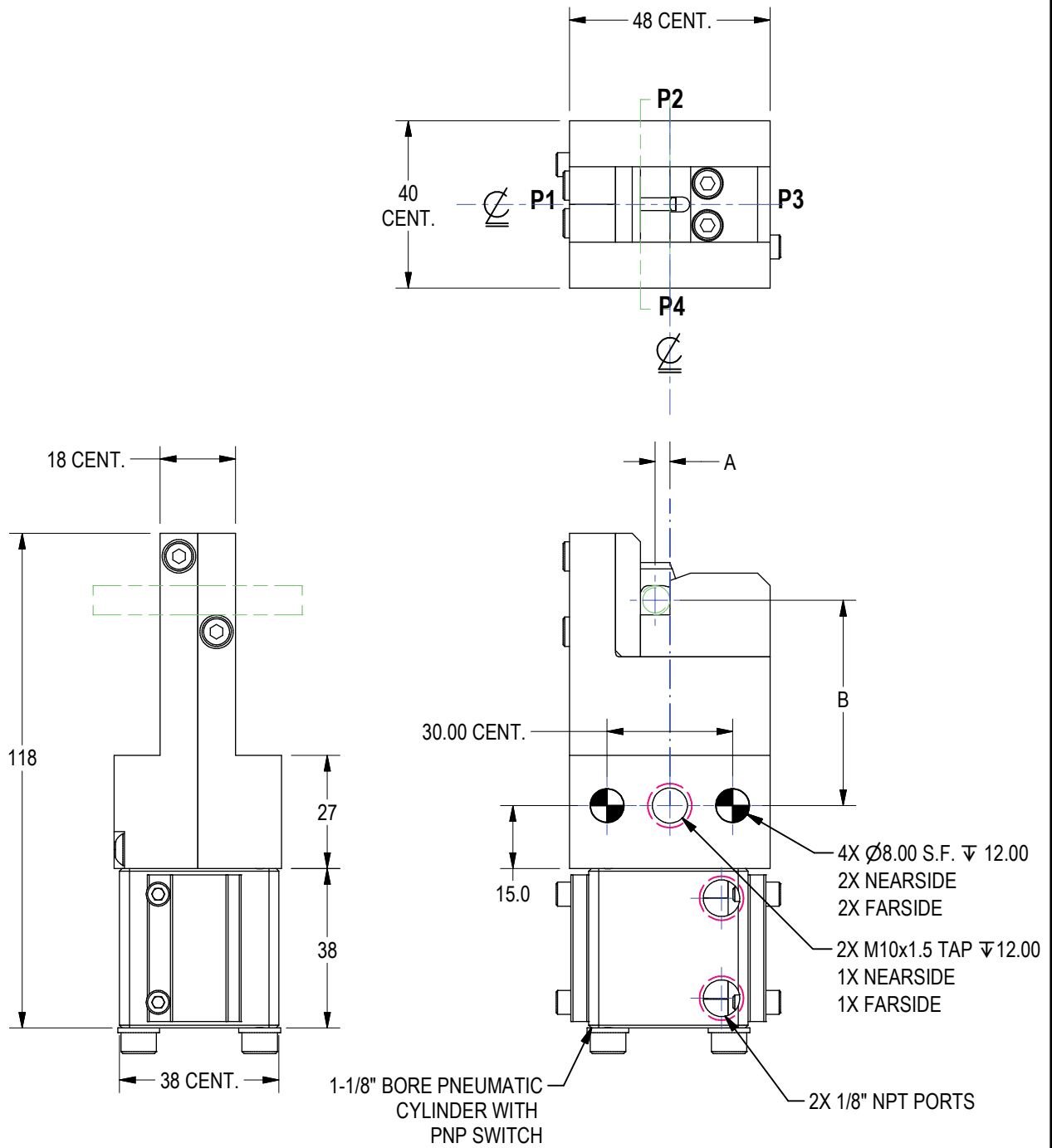


WIRE DIA.	DIM. A	DIM. B
4mm	5.0	50.5
7mm	3.5	49.0
10mm	2.0	47.5

(DO NOT SCALE DRAWING)

**WELKER**  
ENGINEERED PRODUCTS  
800-229-0890 [www.welkerproducts.com](http://www.welkerproducts.com)

# S02128 GENERAL DIMENSIONS



WIRE DIA.	DIM. A	DIM. B
4mm	5.0	50.5
7mm	3.5	49.0
10mm	2.0	47.5

(DO NOT SCALE DRAWING)

**WELKER**  
ENGINEERED PRODUCTS  
800-229-0890 [www.welkerproducts.com](http://www.welkerproducts.com)