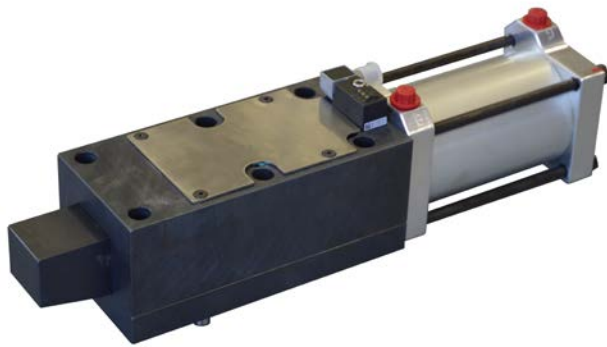


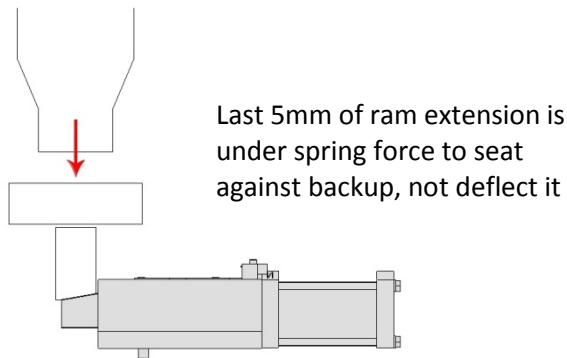
Wedge Lock

Ideal for press station application: reduces deflection in lift & locate station



- *10° wedge provides secure location and easy retracting. Ram retracts inside body allowing tight positioning of backup.*
- *Steel body maximizes side load capacity. Square ram, machined of pre-hardened 4142 steel, provides anti-rotation and enables wedge to be rotated.*
- *Pneumatic actuator, variable position NPT or G ports*
- *Integrated World Switch option for position sensing*

Wedge Lock Installation Example



Note: All applications require Welker engineering approval.

Call Welker with your application!