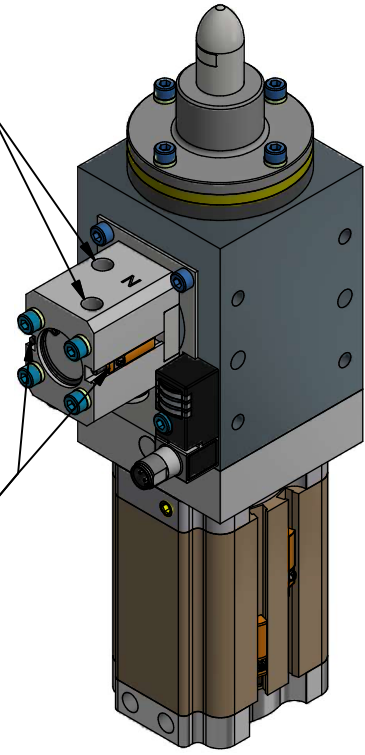


NEW PIN CLAMP RETRACT (SECONDARY) CYLINDER

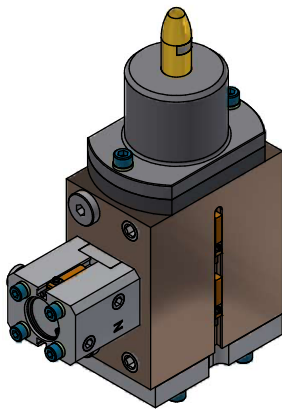
- EXTEND AND RETRACT PORTS ON SAME SIDE OF CYLINDER
- SWITCH SENSORS MOUNTED IN RETRACT CYLINDER SLOTS
- ABILITY TO BE DIRECT REPLACEMENT FOR PREVIOUS VERSION

NPT OR G PORTS

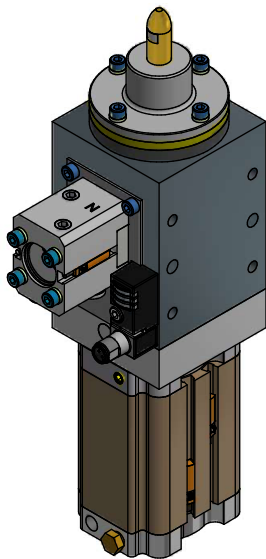
SWITCH SENSORS
MOUNTED IN SLOT



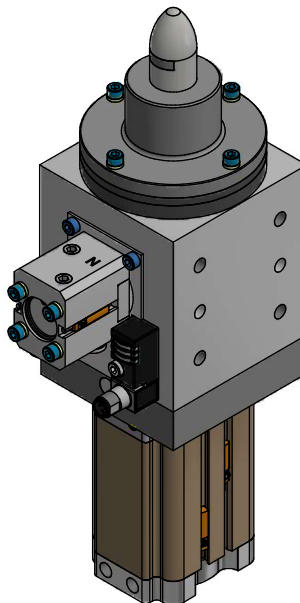
PCS



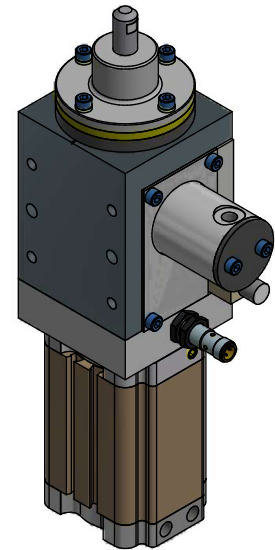
PCY



PCT

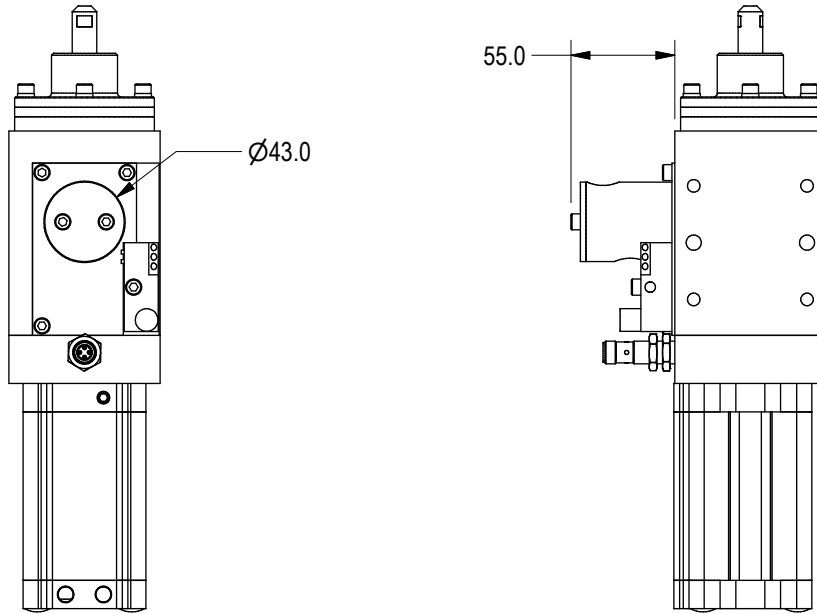


PCM

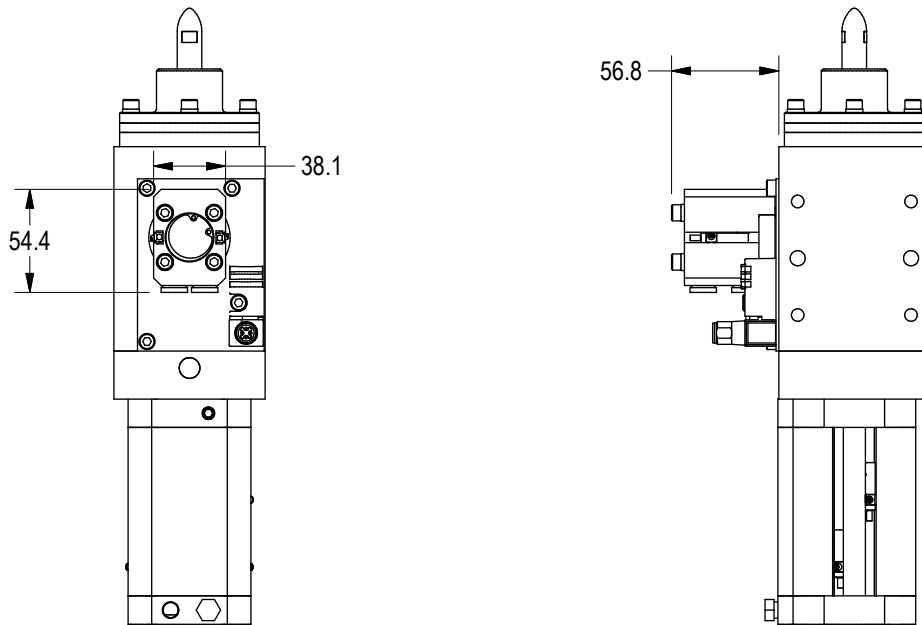


PCT
PREVIOUS VERSION OF RETRACT CYLINDER

LEGACY RETRACT (SECONDARY) CYLINDER



NEW RETRACT (SECONDARY) CYLINDER



Updated Welker Cylinder Switch Chart

FOR PCY PIN CLAMP ACTUATOR OPTION V & W AND PCT/PCS/PCM ACTUATOR OPTION V

Option	QTY	Switch Part #	Wire	Output	Mfg
L3	2	SWITCH L3**	4	PNP	Welker
	1	SWITCH L3S** Single sensor, single connector switch: 1 switch required for retract cylinder	3	PNP	
L5	5	MK5113	3	NPN	ifm Efector

Standard Switch Option - All other options may affect price and delivery

All switches are DC M12 X 1, Quick Disconnect

World Switch Chart for PCT/PCS/PCM

UNITS WITH A RETRACT OPTION "V" WILL INCLUDE (1) L3 SWITCH FOR SECONDARY CYLINDER SENSING AND (1) L3S SWITCH FOR PIN RETRACT SENSING.

Option SO1 (E)XTEND or SO1 (R)ETRACT	QTY	Part Number	Manufacturer	Description
00	0	Switch Ready		Customer Supplied Switch. Prepared for switches below:
ZE or ZR	1	WWS001A	Welker	4-Wire, 4-Pin, DC M12 X 1 (PNP)
Non-stocked switches (effective 1-2-2023):				
AE or AR	1	Ni2-Q6.5-AP6-0.1-FS 4.4X3/S304	Turck	4-Wire, 4-Pin, DC M12 X 1 (PNP)
BE or BR	1	Ni2-Q6.5-ADZ32-0.1-FSB 5.4X4/S304	Turck	4-Wire, 5-Pin, AC/DC 1/2-20 (N.O.)
CE or CR	1	Ni2-Q6.5-AN6-0.1-FS 4.4X3/S304	Turck	4-Wire, 4-Pin, DC M12 X 1 (NPN)
DE or DR	1	NBN2-F581-100S6-E8-V1	Pepperl & Fuchs	4-Wire, 4-Pin, DC M12 X 1 (PNP)
EE or ER	1	BES-Z02KR2-PSC20F-P100-S04-V	Balluff	3-Wire, 4-Pin, DC M12 X 1 (PNP)
JE or JR	1	IN5374	Efector	3-Wire, 4-Pin, DC M12 X 1 (PNP)

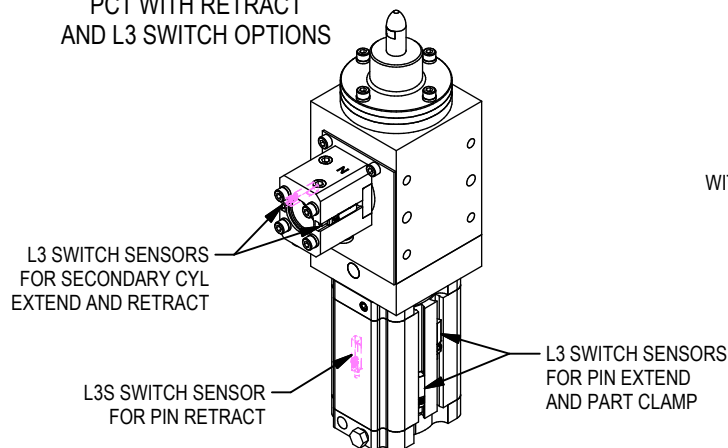
ALL SWITCHES QUICK DISCONNECT

Standard Switch Option - All other options may affect price and delivery

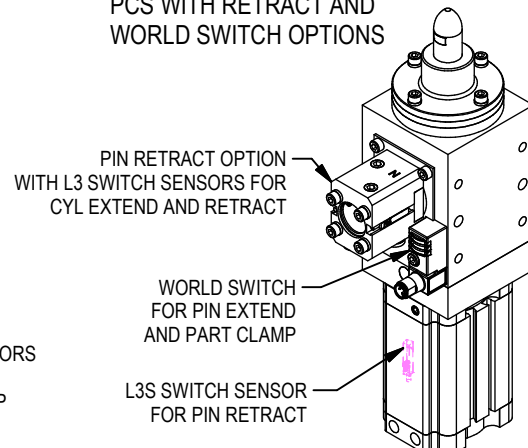
Note that some mid and low frequency DC resistance applications (i.e. aluminum resistance welding applications) may cause a fault. In these applications, it is recommended that the sensor be ignored/bypassed during the welding cycle.

Note: Sensor 01 displays an amber LED, Sensor 02 displays a red LED

PCT WITH RETRACT
AND L3 SWITCH OPTIONS



PCS WITH RETRACT AND
WORLD SWITCH OPTIONS



LEGACY (FORMER) & NEW OPTIONS

PCY			
Actuator	Legacy (Former) Option	Actuator	New Option
R	Dbl Acting w Retractable pin (Ports @ 90deg)	V	Dbl Acting w Retractable pin & Secondary Cyl Sensing (Ports @ 90deg)
S	Dbl Acting w Retractable pin (Ports @ 0deg)		
T	Dbl Acting w Retractable pin & Spring (Ports @ 90deg)	W	Dbl Acting w Retractable pin, Spring & Secondary Cyl Sensing (Ports @ 90deg)
U	Dbl Acting w Retractable pin & Spring (Ports @ 0deg)		
PCT, PCS, & PCM			
Actuator	Legacy (Former) Option	Actuator	New Option
T	Dbl Acting w Spring Assist & Retractable Pin	V	Dbl Acting w Spring Assist, Retractable Pin & Secondary Cyl Sensing