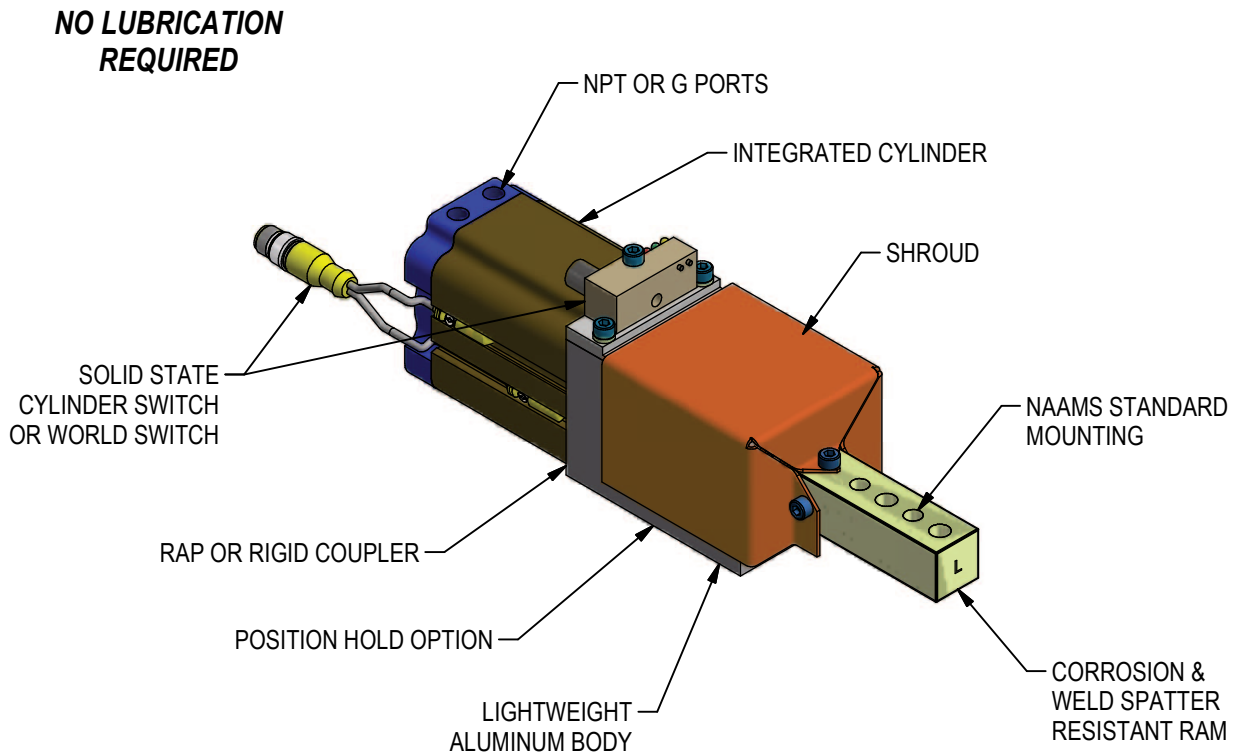


UB2 SERIES GOLD LINE SHOT PIN



ALUMINUM RAM UNIT AVAILABLE

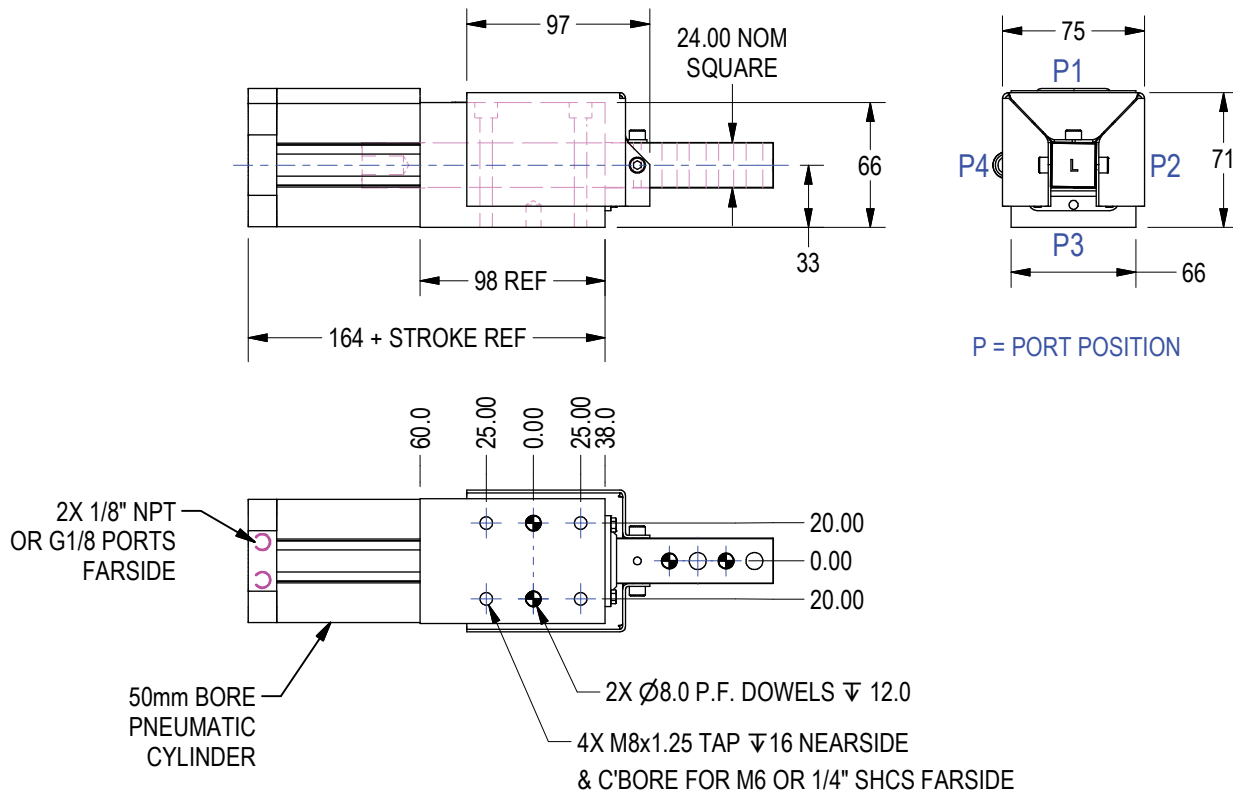
SHOT PIN APPLICATIONS

RETRACTABLE LOCATING PINS
STRAIGHT CLAMPS
SMALL PART METERS

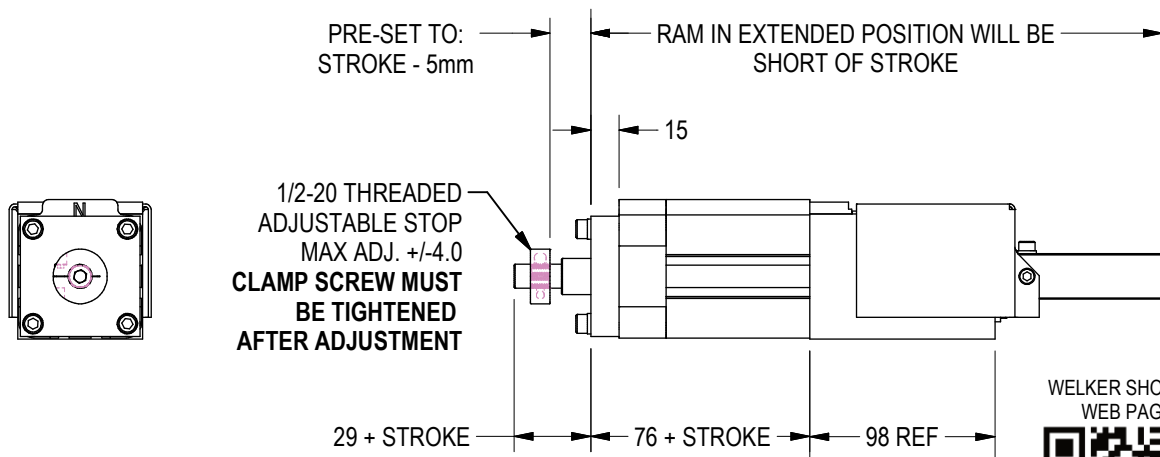
RELEASED 8/9/18

GENERAL DIMENSIONS

SINGLE ROD CYLINDER



DOUBLE ROD CYLINDER WITH EXTEND STOP "E"



UNIT WEIGHTS (WEIGHTS SHOWN WILL VARY WITH OPTIONS)				
ACTUATOR	RAM	25mm STROKE	50mm STROKE	75mm STROKE
01/02	STEEL	6.5 LBS	7.5 LBS	8.2 LBS
01/02	ALUMINUM	4.5 LBS	5.9 LBS	6.7 LBS
03/04	STEEL	10.8 LBS	11.3 LBS	11.8 LBS
03/04	ALUMINUM	8.8 LBS	9.7 LBS	10.3 LBS

WELKER SHOT PIN
WEB PAGE

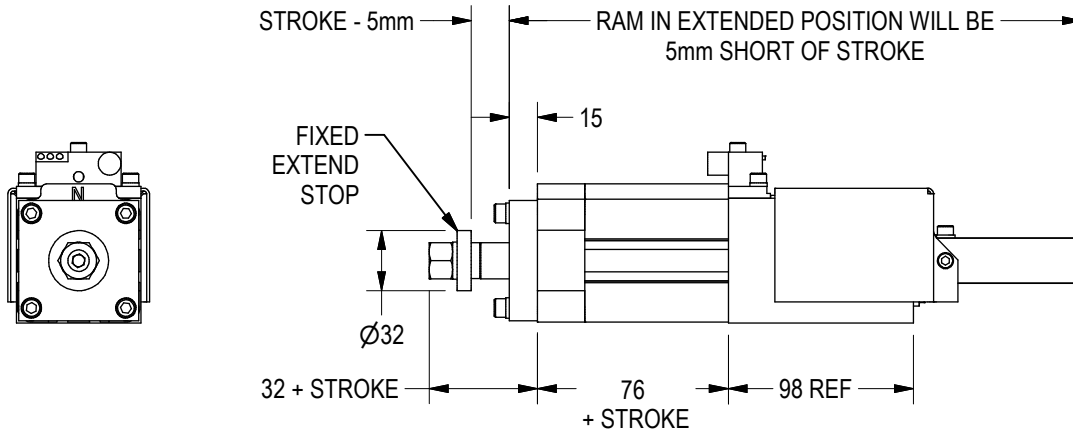


(DO NOT SCALE DRAWING)

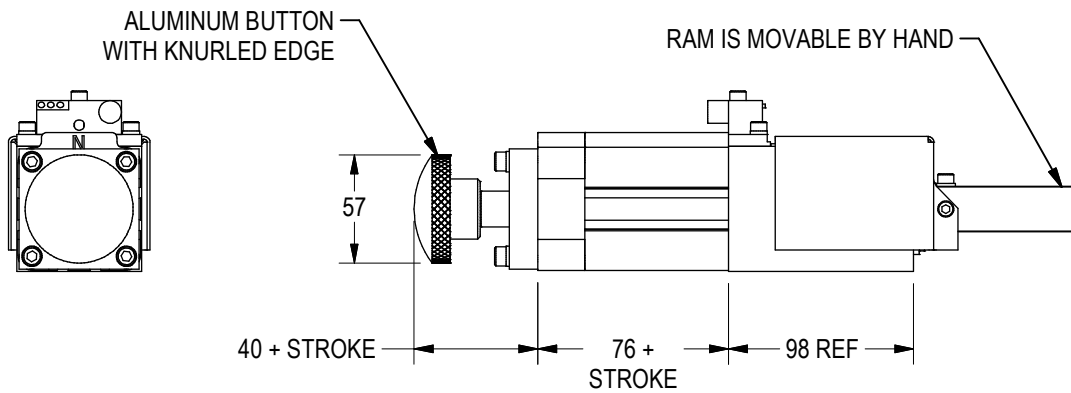
WELKER
ENGINEERED PRODUCTS
248-528-2020 www.welkerproducts.com

OPTIONS

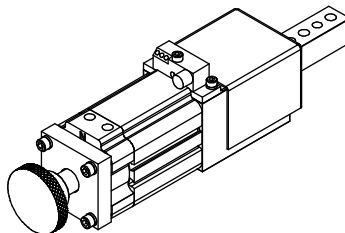
DOUBLE ROD CYLINDER WITH EXTEND STOP "G"



DOUBLE ROD CYLINDER WITH PALM BUTTON OPTION "P" LOOSE BODY FOR MANUAL OPERATION



*Manual Operation Note:
Loose body units are
not held to industry
standard tolerances*

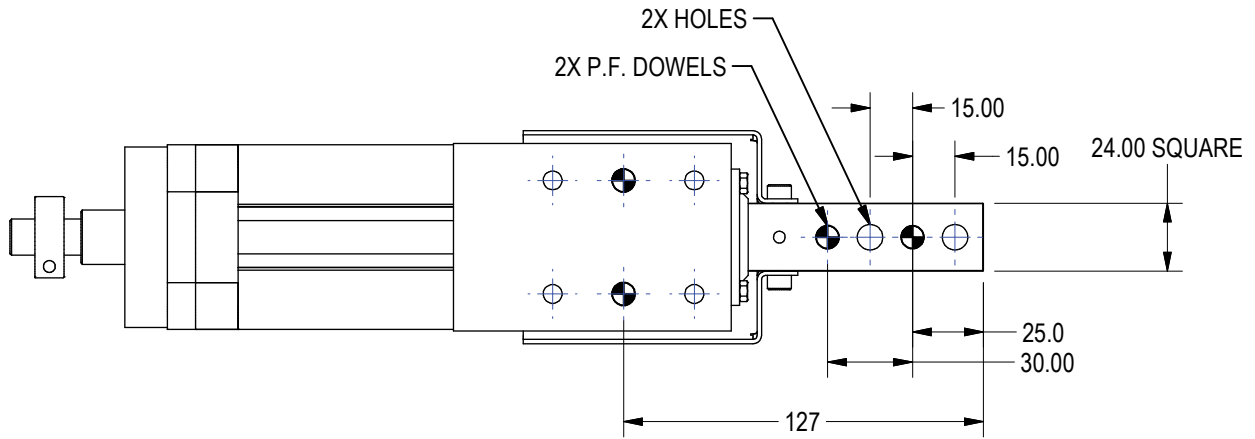


STANDARD RAM OPTIONS

U B 2 N 0 2 5 A 0 1 0 **D** 0 0 1 A **0** 0 0

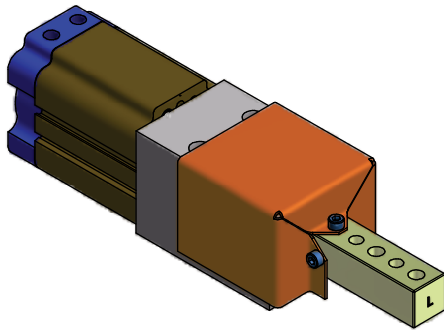
Ram Style
See Chart Below

Ram Rotation
0 0° Rotation (shown)
9 90° Rotation

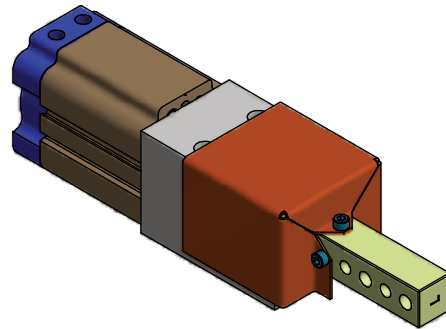


RAM STYLE	DOWELS	HOLES
D	8.0mm THRU	11.0mm THRU
L	8.0mm THRU	9.0mm THRU

SEE SUPPLEMENTAL RAM SHEET FOR NON-STANDARD OPTIONS



0° RAM ROTATION
OPTION: 0



90° RAM ROTATION
OPTION: 9

(DO NOT SCALE DRAWING)

WELKER
ENGINEERED PRODUCTS
248-528-2020 www.welkerproducts.com

SWITCH OPTIONS

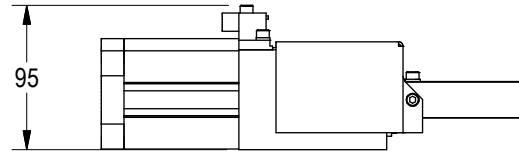
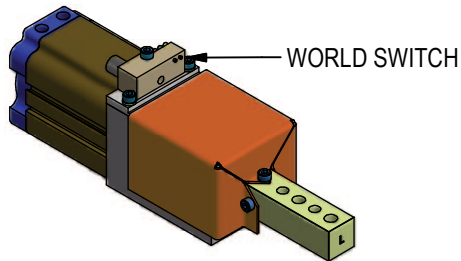
U
B
2
N
0
2
5
A
0
1
0
D
0
0
1
A
0
0
0

Switch: See charts below

00 No Switch

WORLD SWITCH

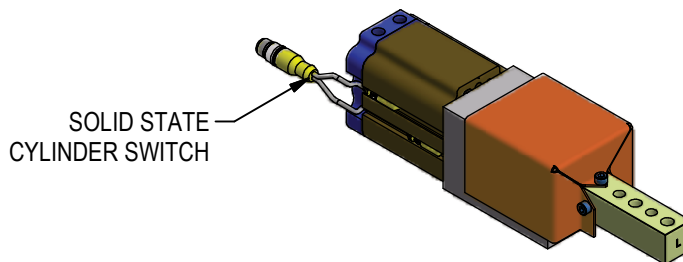
NOTE: AVAILABLE WITH 25mm AND 50mm STROKE UNITS ONLY



	Order Number SO1 (E)XTEND or SO1 (R)ETRACT	Part Number	Manufacturer	Description
World Switches <i>Note: Available with 25mm and 50mm stroke units only</i>	99	Switch Ready		Customer Supplied Sw itch. Prepared for sw itches below :
	AE or AR	Ni2-Q6.5-AP6-0.1-FS 4.4X3/S304	Turck	3-Wire, 4-Pin, DC M12 X 1 (PNP) Quick Disconnect
	BE or BR	Ni2-Q6.5-ADZ32-0.1-FSB 5.4X4/S304	Turck	4-Wire, 5-Pin, AC/DC 1/2-20 (N.O.) Quick Disconnect
	CE or CR	Ni2-Q6.5-AN6-0.1-FS 4.4X3/S304	Turck	3-Wire, 4-Pin, DC M12 X 1 (NPN) Quick Disconnect
	DE or DR	NBN2-F581-100S6-E8-V1	Pepperl & Fuchs	3-Wire, 4-Pin, DC M12 X 1 (PNP) Quick Disconnect
	JE or JR	IN5374	Efector	4-Wire, 4-Pin, DC M12 X 1 (PNP) Quick Disconnect
	Order Number	Part Number	Manufacturer	Description
Cylinder Switches	L3	SWITCH L3 L3 sw itch is weld field immune, comparable to World Sw itches	Welker	4-Wire, 4-Pin, DC M12 X 1 (PNP) Quick Disconnect
	L5	MK5113 (This is a single sensor sw itch: 2 sw itches are installed per cylinder)	if m Efector	3-Wire, 4-Pin, DC M12 X 1 (NPN) Quick Disconnect

Standard Switch Option - All other options may affect price and delivery

SOLID STATE CYLINDER SWITCH



(DO NOT SCALE DRAWING)



DETENT OPTION

U
B
2
N
0
2
5
A
0
1
0
D
L
3
1
A
0

0

Detent
(Steel ram only)

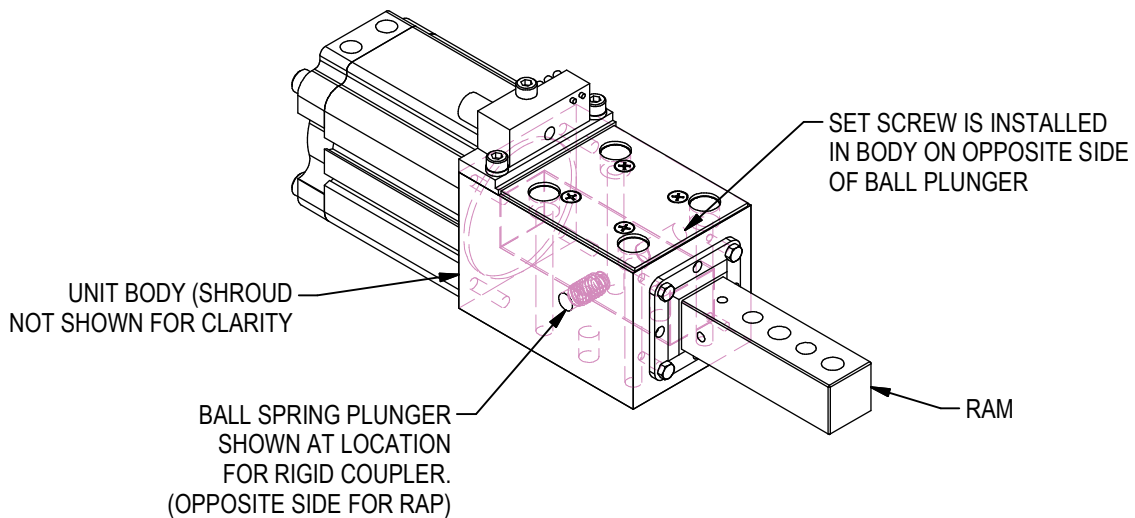
0 None
D Detent

DETENT OPTION IS A BALL SPRING PLUNGER INSTALLED IN UNIT BODY TO ASSIST WITH HOLDING THE RAM IN EXTENDED POSITION (ONLY) WITH LOSS OF AIR PRESSURE.

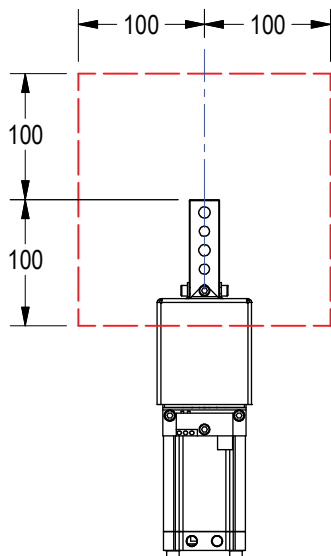
DETENT IS NOT DESIGNED TO HOLD GEO LOCATION WITH LOSS OF AIR PRESSURE.

DETENT OPTION WILL CAUSE VISIBLE LINES IN THE RAM'S EXTERIOR COATING.

BALL SPRING PLUNGER IS A WEAR ITEM AND WILL NEED TO BE REPLACED AT RECOMMENDED INTERVALS.



NOTE: IF RAP/RIGID COUPLER IS SWITCHED IN THE FIELD, THE BALL PLUNGER AND SET SCREW MUST BE SWITCHED TO OPPOSITE SIDES.



DETENT OPTION EFFECTIVE WEIGHT LIMIT IS 11 LBF FOR VERTICAL APPLICATIONS.

MOUNTED TOOLING MUST BE WITHIN APPROVED APPLICATION RADIUS FROM END OF RAM.

(DO NOT SCALE DRAWING)

ENGINEERED PRODUCTS
 248-528-2020 www.welkerproducts.com

Welker UB2 Shot Pin Technical Information

Body Mounting: UB2 shot pin units have bidirectional mounting capability. At all mounting locations, you have the option of mounting from the top using the counter-bored clearance holes with 6mm socket head cap screws or the same holes tapped M8 from the bottom.

Square ram packages are high precision full contact plane bearing units and therefore must be mounted to a flat surface. **Mounting surfaces must be flat within .002" (0.05mm).**

Ram Mounting: Square ram shot pin units use a standard NAAMS L-Block pattern with 15mm spacing. Spacing allows mounting of 3 and 4 hole pin retainers and L-blocks to the ram. Through holes can be tapped and fitted with standard thread inserts.

Shrouds: Safety orange steel shrouds are available for additional protection. Shrouds prevent undesirable buildup of contamination from welding and machining applications. Welker specifically recommends shroud usage in MIG, TIG and arc welding applications. Shrouds should only be removed if clearance problems exist and conditions permit. Consult Welker.

Wipers: The wiper is the only maintenance item on Welker pin units. It is a custom molded moly impregnated urethane wiper. Welker recommends changing the wiper yearly. Specific applications may require more or less frequent wiper service.

Stroke: The stroke accuracy of shot pins is limited to that of the cylinder. Normal cylinder stroke accuracy is $\pm .015"$ (0.38mm). For adjustable and repeatable "end of stroke" conditions, see extend stop options. Rap couplings cause the unit to be less than the nominal stroke of the cylinder. The 24mm ram units have a 2mm rap. The rap allows the cylinder to accelerate without load, acting like a slide hammer. The impact of the coupler helps free tooling from a bound condition, similar to a dowel puller. Most applications using a pneumatic shot pin should have rap couplings while most hydraulic shot pin applications should use a rigid coupler. Rigid couplers must be used on all extend and retract stop units.

Welker cylinders do not require lubrication.

Switch: UB2 is available with solid state cylinder switch or world switch.

Repeatability: Shot pin units utilize a full contact bearing surface for high repeatability. Repeatability within $\pm .002"$ (0.05mm) part to part is achievable.

Wear: Defined as variance in position under load over time. Shot pin tests indicate maximum wear of .002" wear at 3 million cycles.

Loading and Deflection: Maximum deflection is $\pm .005"$ and is measured at the **end of the ram** up to the specified strokes and up to the loads and distances as shown below. Longer extensions can be used at lower tolerances and loads. Pins mounted closer to the body exhibit less deflection. For applications with longer strokes and higher loads, consult Welker.

