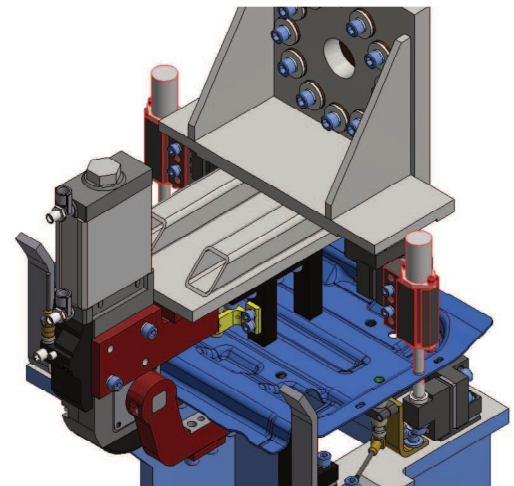
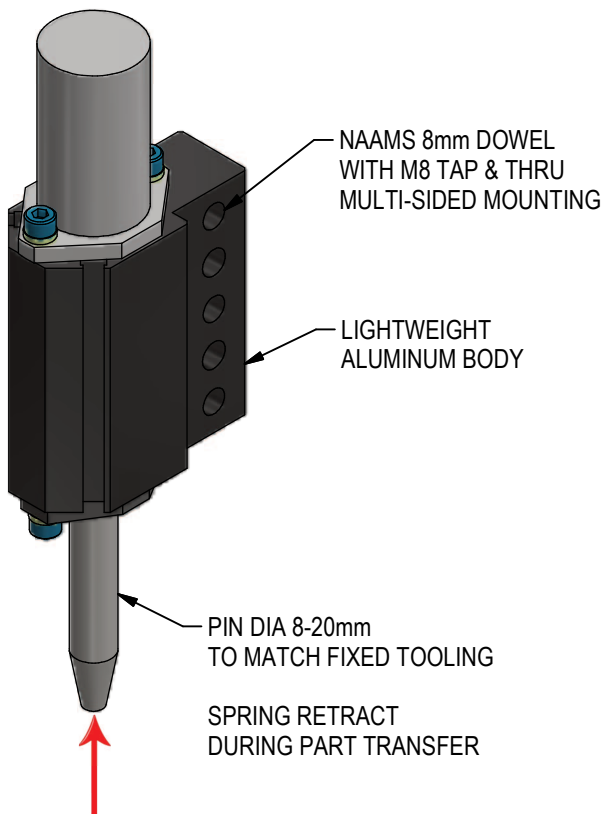
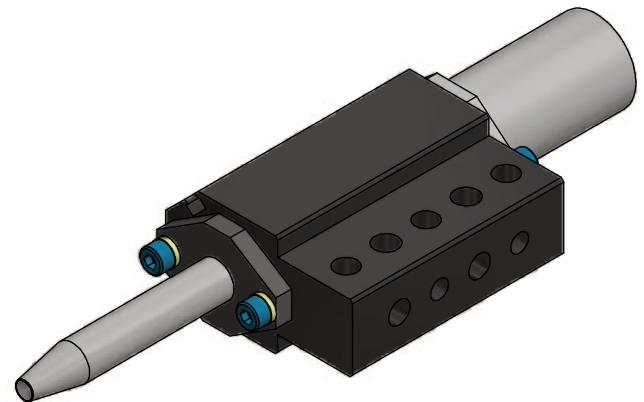


## TMP TRANSFER PIN

- 8 - 20mm PIN DIAMETERS
- ROUND PIN ONLY, NO ANTI-ROTATE
- 50mm STROKE, SPRING LOADED

CONCAVE PIN TIP MEETS THE FIXTURE'S LOCATING PIN AND MAINTAINS SPRING FORCE CONTACT, WHILE PART IS TRANSFERRED.

PIN-TO-PIN TRANSFER ALLOWS USE OF THE SAME HOLES IN PARTS WITHOUT USING NONTOLERANCE HOLES.



### APPLICATIONS:

END OF ARM TOOLING  
PASS TABLE  
LOAD TABLE  
MATERIAL HANDLING  
PASS-OFF APPLICATION

RELEASED 8/28/18

# ORDERING INFORMATION



**Pin Diameter**  
 XXXX Pin Diameter (i.e. 8.00mm Pin = 0800)  
 (8.00mm-20.00mm Diameter Range)

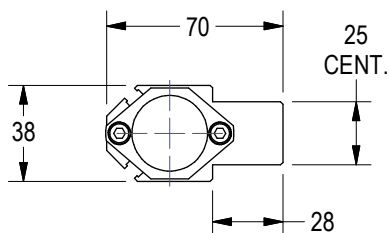
**GOOD APPLICATIONS:**

- END OF ARM TOOLING
- PASS TABLE
- LOAD TABLE
- MATERIAL HANDLING
- PASS-OFF APPLICATION

**BAD APPLICATIONS:**

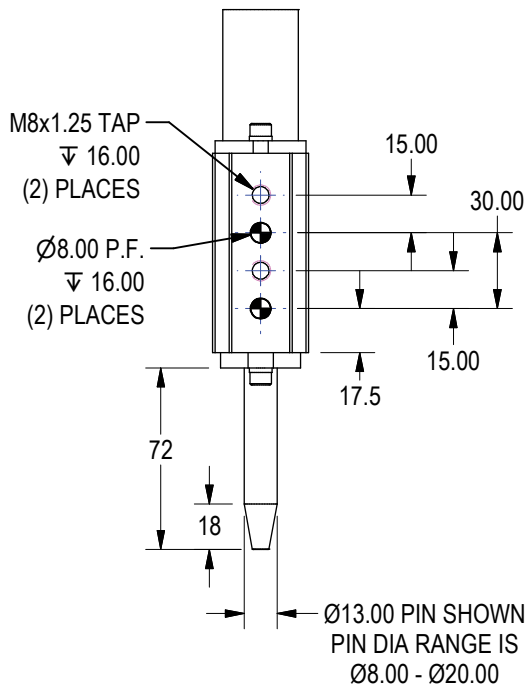
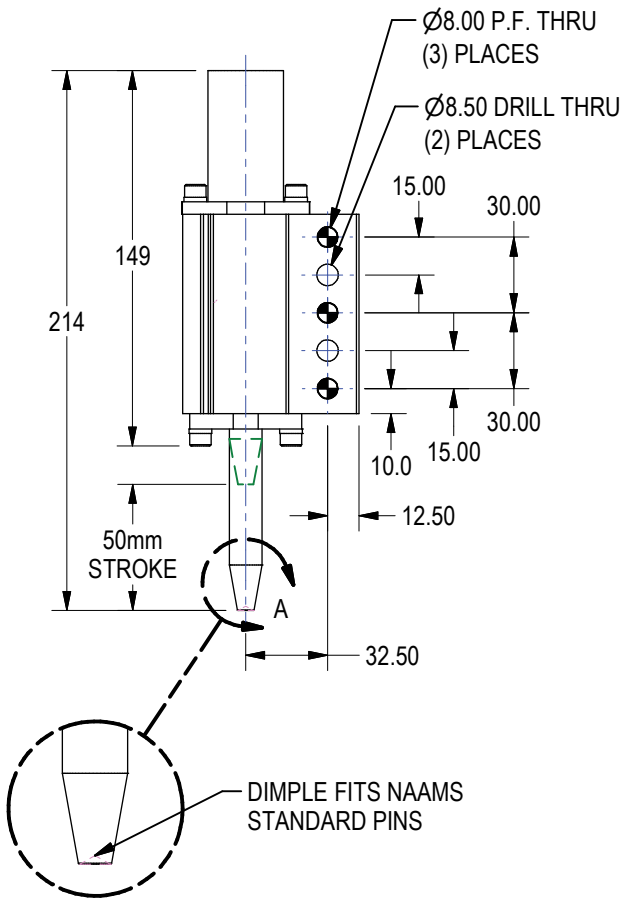
- NO-HOLE
- PARTS NOT CLAMPED
- PICK MISALIGNED
- PIN LINE-UP NOT THE SAME ANGLE

# GENERAL DIMENSIONS



**SPRING PRESSURE:**

PIN EXTEND = 5.0 lbs  
 PIN RETURNED = 25.0 lbs  
 50.0mm MAX COMPRESSION



(DO NOT SCALE DRAWING)

**WELKER**  
 ENGINEERED PRODUCTS  
 800-229-0890 www.welkerproducts.com