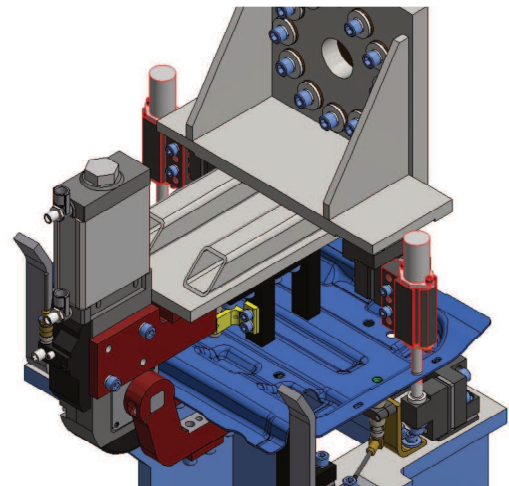
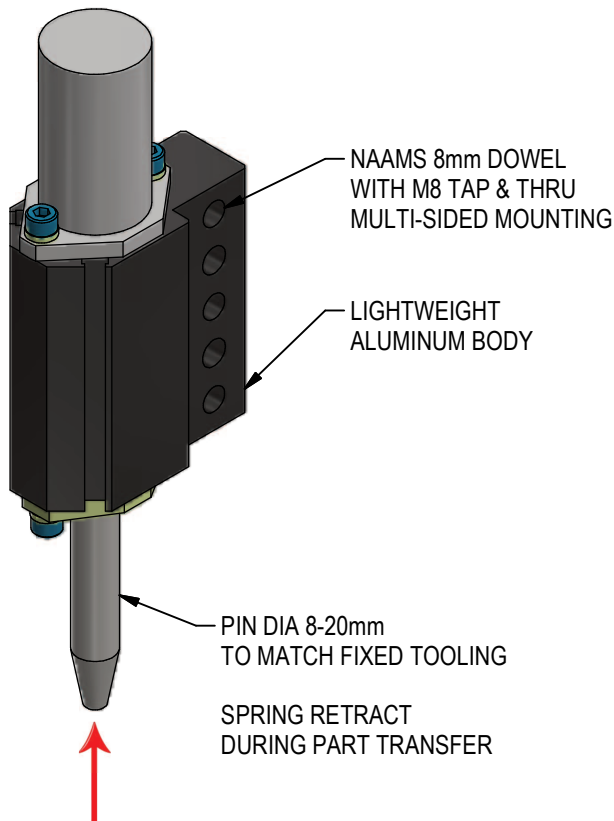
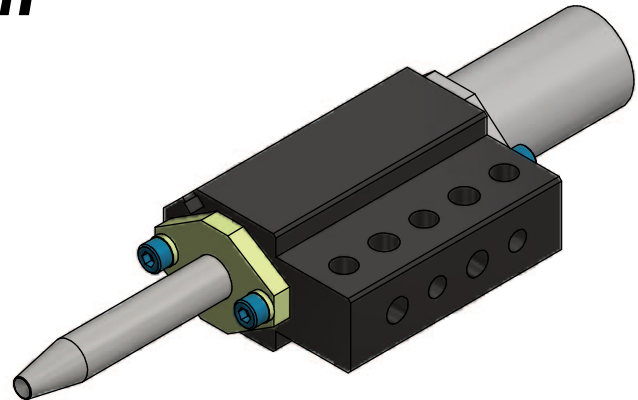


TRANSFER PIN TMP

- 8 - 20mm PIN DIAMETERS
- ROUND PIN ONLY, NO ANTI-ROTATE
- 50mm STROKE, SPRING LOADED

CONCAVE PIN TIP MEETS THE FIXTURE'S LOCATING PIN AND MAINTAINS SPRING FORCE CONTACT, WHILE PART IS TRANSFERRED.
PIN-TO-PIN TRANSFER ALLOWS USE OF THE SAME HOLES IN PARTS WITHOUT USING NONTOLERANCE HOLES.

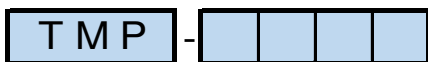


APPLICATIONS:

END OF ARM TOOLING
PASS TABLE
LOAD TABLE
MATERIAL HANDLING
PASS-OFF APPLICATION

RELEASED 3/23/18

ORDERING INFORMATION



Pin Diameter
XXXX Pin Diameter (i.e. 8.00mm Pin = 0800)
 (8.00mm-20.00mm Diameter Range)

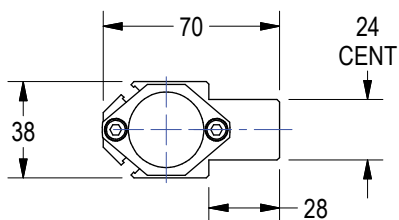
GOOD APPLICATIONS:

- END OF ARM TOOLING
- PASS TABLE
- LOAD TABLE
- MATERIAL HANDLING
- PASS-OFF APPLICATION

BAD APPLICATIONS:

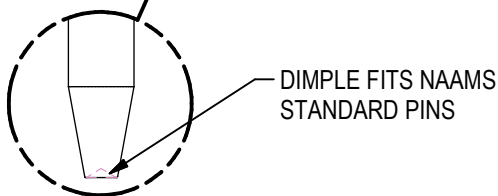
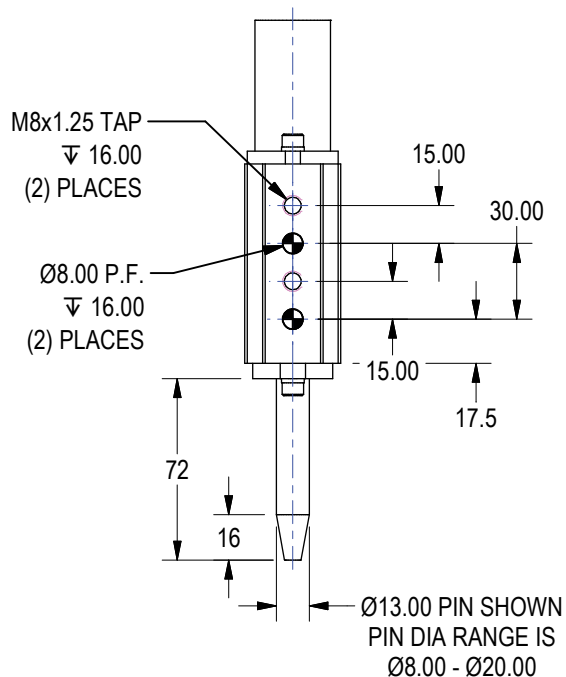
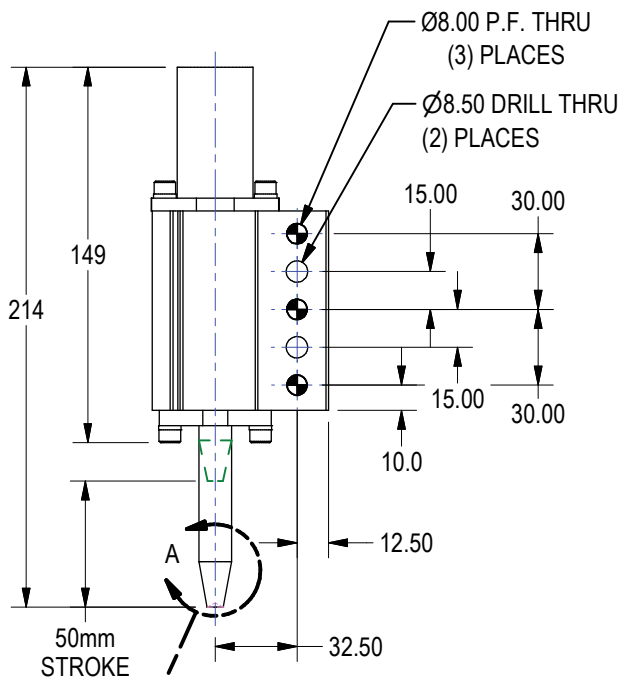
- NO-HOLE
- PARTS NOT CLAMPED
- PICK MISALIGNED
- PIN LINE-UP NOT THE SAME ANGLE

GENERAL DIMENSIONS



SPRING PRESSURE:

PIN EXTEND = 5.0 lbs
 PIN RETURNED = 25.0 lbs
 50.0mm MAX COMPRESSION



(DO NOT SCALE DRAWING)

WELKER
 ENGINEERED PRODUCTS
 800-229-0890 www.welkerproducts.com