

ORDERING INFORMATION

S 0 1 5 9 2 - N 1 A 1 L 0 X 0

Port Type

- N NPT Ports
- G G Ports

Port Location

- 1 "1" Shown (2, 3 or 4)

Arm Style

- A Arm Style "A" Shown

Arm Location

- 3 Arm Location "3" Shown

Cylinder Switch

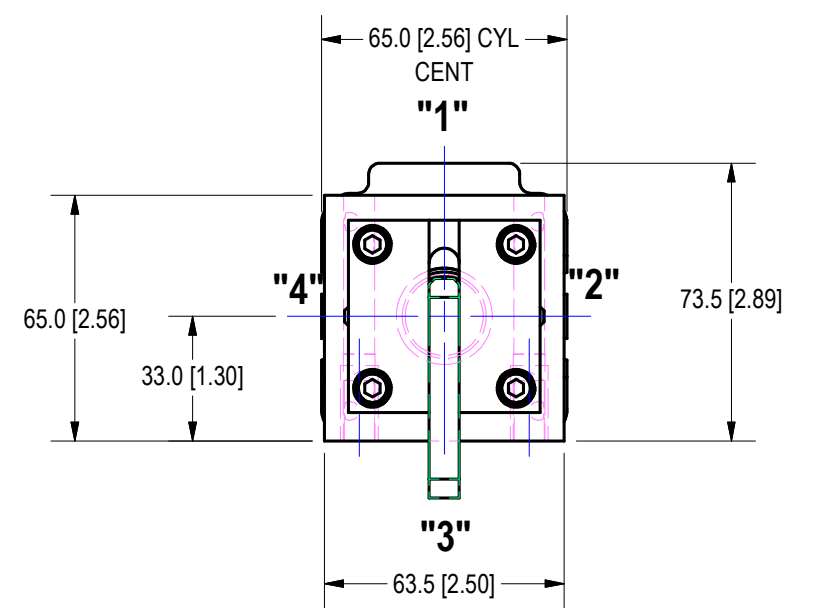
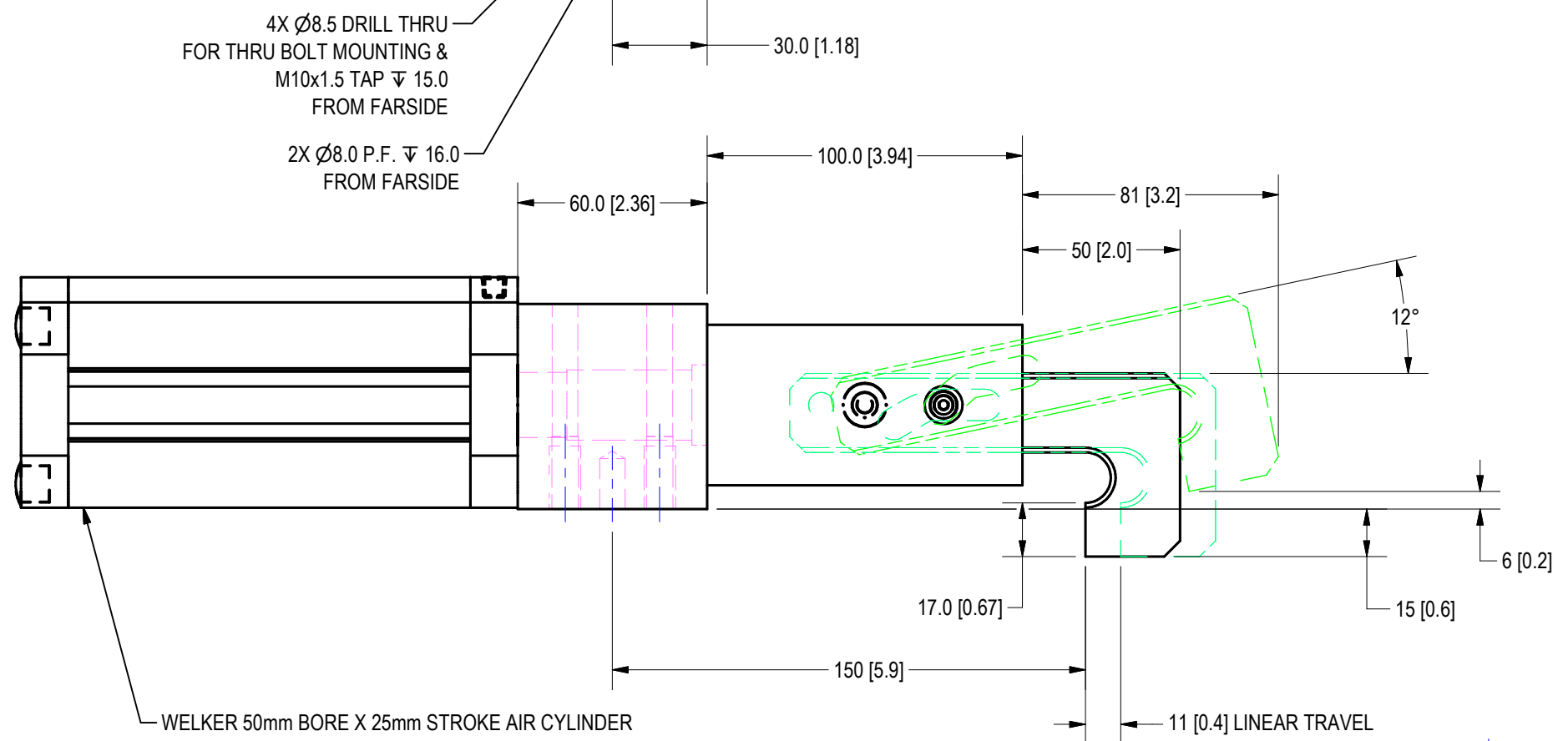
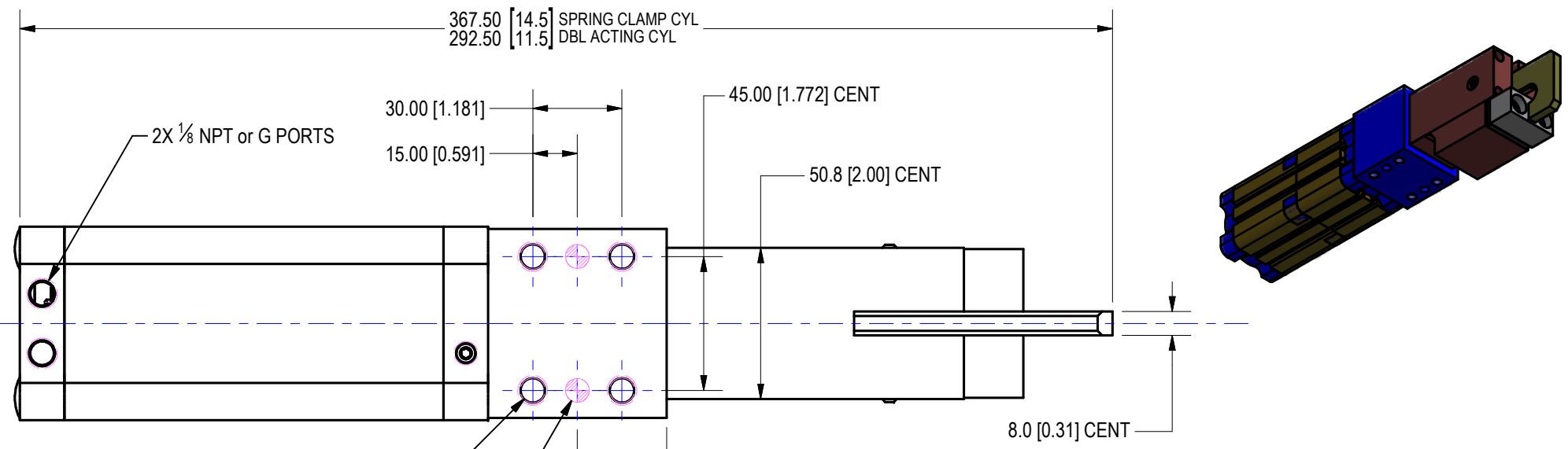
- 00 No switch
- LX See Cylinder Switch Chart

Spring Clamp

- X No Spring
- E Spring Clamp

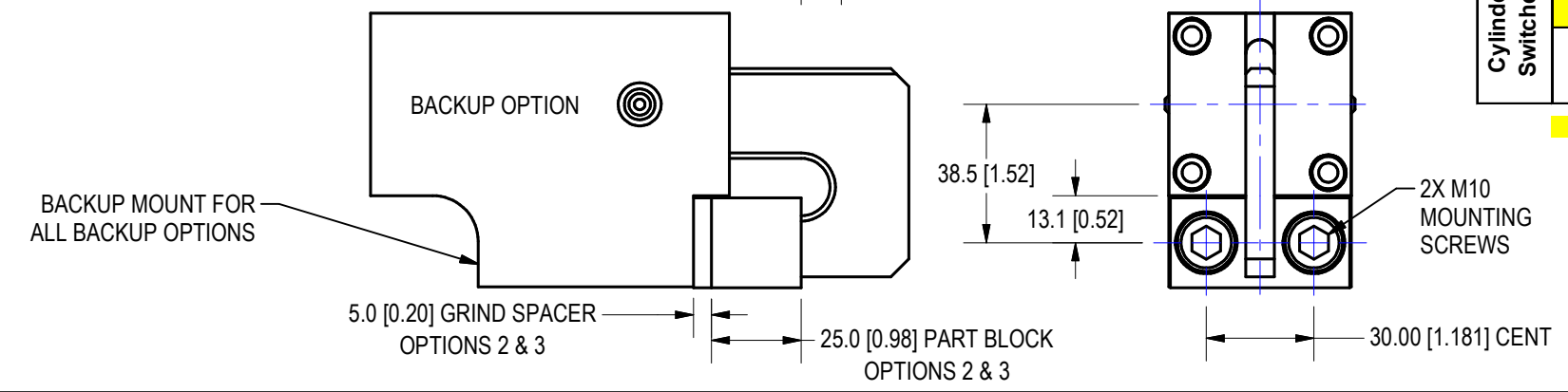
Backup Option

- 0 No Backup
- 1 Backup Mount
- 2 Backup w Smart Stop
- 3 Backup w NAAMS



Cylinder Switches	Switch Option	Part Number	Manufacturer	Description
	L3	SWITCH L3 L3 sw itch is w eld field immune, comparable to World Sw itches	Welker	4-Wire, 4-Pin, DC (PNP) M12 X 1 Quick Disconnect
	L5	MK5113 (This is a single sensor sw itch: 2 sw itches are installed per cylinder)	ifm Efector	3-Wire, 4-Pin, DC (NPN) M12 X 1 Quick Disconnect

Standard Switch Option - All other options may affect price and delivery



UNITS ARE MILLIMETERS
(i.e.X.XXmm [x.xxx"])
DO NOT SCALE DRAWING

WELKER BEARING COMPANY					
TOOL NAME: HC2 HOOK CLAMP					
TEMPLATE					
DATE	STATUS	DRAWN BY	DATE	CHKD BY	ENG APPROVAL
5/23/2014	Released	DJH	5/23/2014	GSK	
SCALE: 1:2		FILE NAME: S01592L01			