

**S01323 ORDERING INFORMATION**

Series **S01323**

Total Stroke **060** 060, 120, 180, 240, 300, or 360 Total Stroke

Cylinder Options (Pneumatic)  
**01** Double Acting (NPT Ports)  
**02** Double Acting (G Ports)  
**03** Double Acting w/ Rod Lock (NPT Ports) [Shown]  
**04** Double Acting w/ Rod Lock (G Ports)

Switch Dog Location  
**X** No Lockout Block  
**L** Lockout Block & Pin (Shipped Loose)

Shroud  
**0** No Shroud  
**1** Shroud

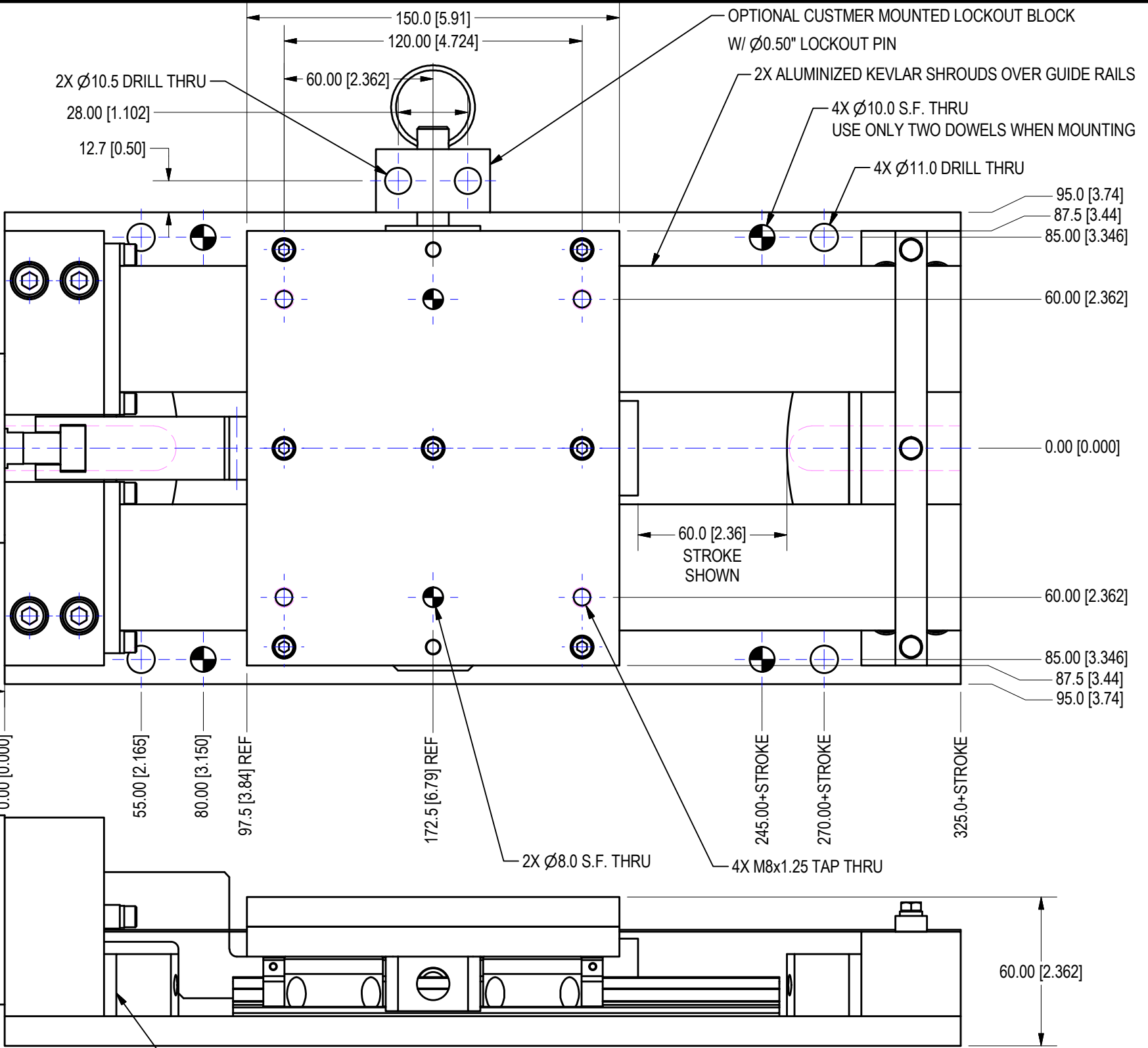
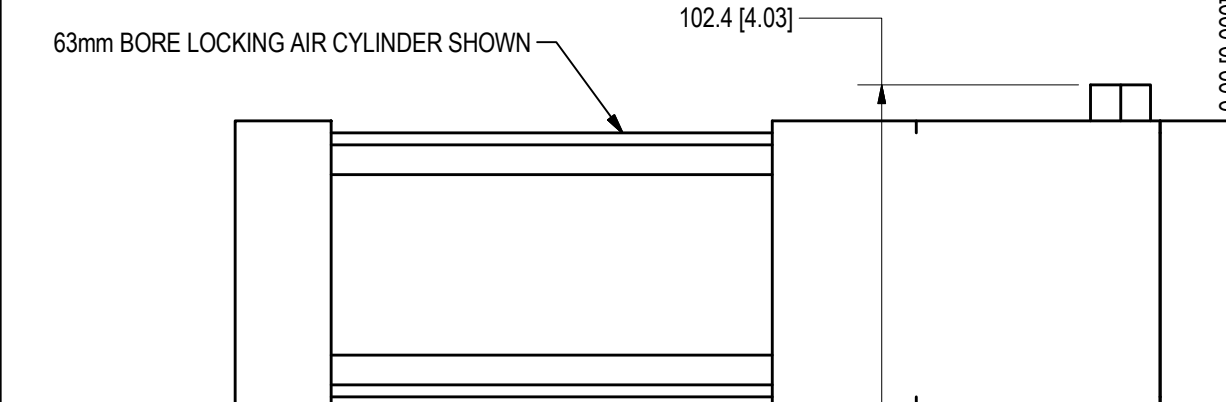
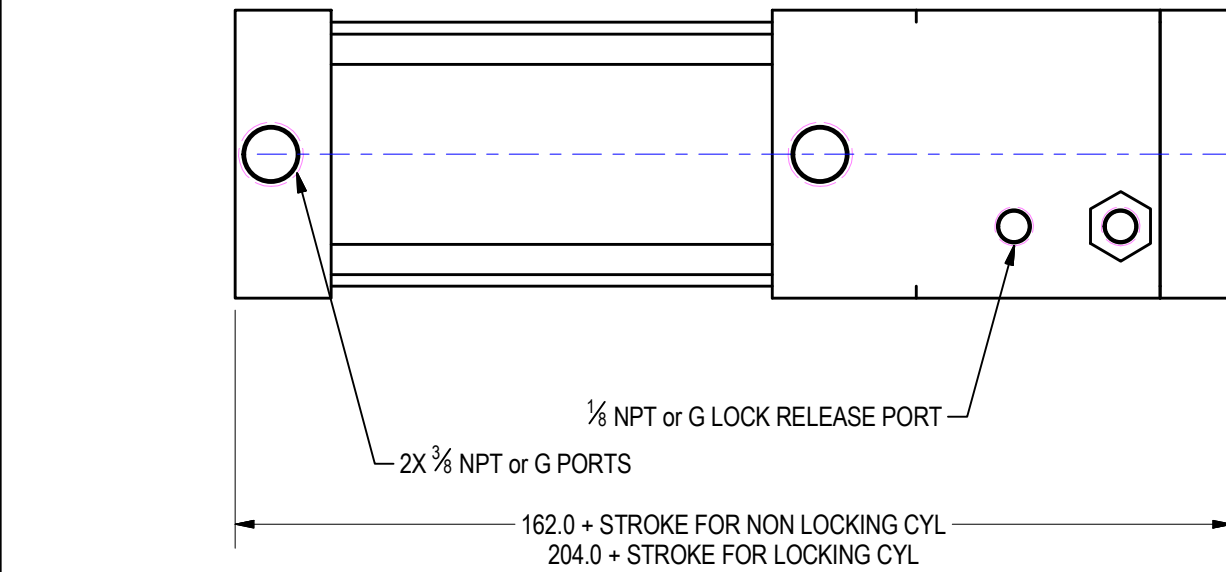
Options  
**X** None  
**P** Welker Smart Stops

Add'l Extend Shims Quarter (mm)  
**0** See Shim Chart

Add'l Extend Shims Whole (mm)  
**0** See Shim Chart

Add'l Retract Shims Quarter (mm)  
**0** See Shim Chart

Add'l Retract Shims Whole (mm)  
**0** See Shim Chart



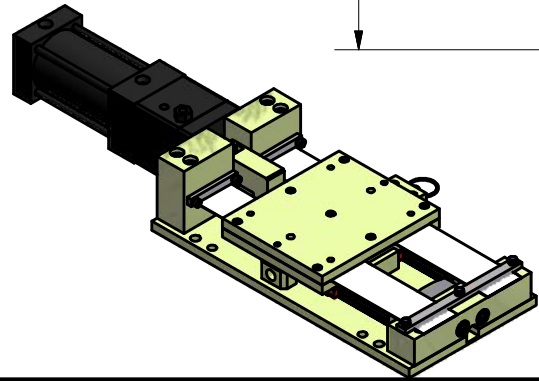
**SHIM NOTE:**

WHOLE MILLIMETER CODES				QUARTER MM CODES	
THK (mm)	CODE	THK (mm)	CODE	.25 THK (mm)	CODE
0	0	16	G	0.00	0
1	1	17	H	0.25	A
2	2	18	J	0.50	B
3	3	19	K	0.75	C
4	4	20	L		
5	5	21	M		
6	6	22	N		
7	7	23	P		
8	8	24	R		
9	9	25	S		
10	A	26	T		
11	B	27	U		
12	C	28	V		
13	D	29	W		
14	E	30	X		
15	F				

IF CUSTOMER SHIM THICKNESS IS 15mm LESS, USE DOUGLAS STAMPING SHIMS LISTED BELOW. IF THE THICKNESS IS GREATER THAN 15mm USE (1) PRS25E16 WITH THE DOUGLAS STAMPING SHIMS.

ASP350 = 5mm SPACER  
 ASH320 = 2mm SHIM  
 ASH310 = 1mm SHIM  
 ASH3205 = .5mm SHIM  
 ASH302 = .25mm SHIM

DISCH038-M506 = 5mm SHIM SET



REMOVAL OR CHANGING OF RETRACT SHIMS IN THE FIELD REQUIRES CYLINDER REMOVAL

UNITS ARE MILLIMETERS  
 (i.e. X.XXmm [x.xxx"])  
 DO NOT SCALE DRAWING

**WEKER BEARING COMPANY**

TOOL NAME: MINIATURE PNEUMATIC SLIDE

TEMPLATE

DATE	STATUS	DRAWN BY	DATE	CHK'D BY	ENG APPROVAL
2/15/2012	Released	DJH	2/15/2012	JPX	
SCALE AS NOTED		FILE NAME		S01323L01	