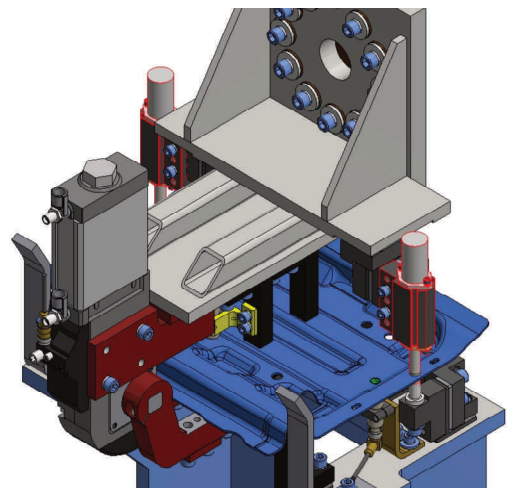
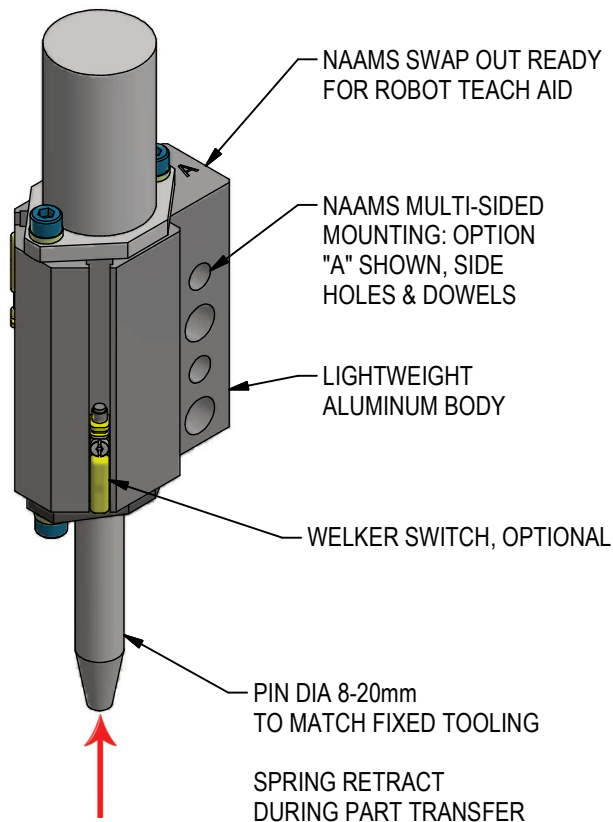
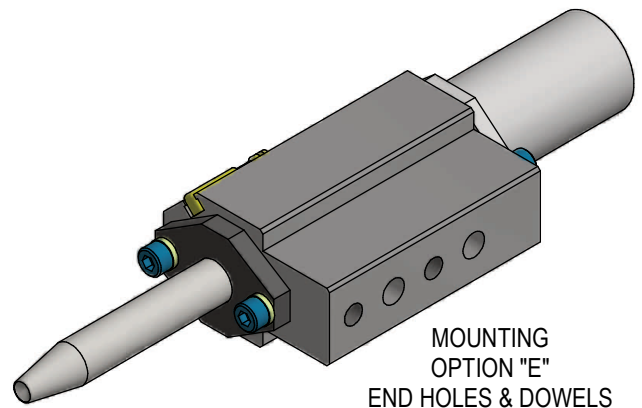


## RTP ROBOT TEACH PIN

- 8 - 20mm PIN DIAMETERS
- ROUND PIN ONLY, NO ANTI-ROTATE
- 50mm STROKE, SPRING LOADED

CONCAVE PIN TIP MEETS THE FIXTURE'S LOCATING PIN AND MAINTAINS SPRING FORCE CONTACT, WHILE PART IS TRANSFERED.  
PIN-TO-PIN TRANSFER ALLOWS USE OF THE SAME HOLES IN PARTS WITHOUT USING NONTOLERANCE HOLES.



### APPLICATIONS:

ROBOT TEACH AID  
END OF ARM TOOLING  
PASS TABLE  
LOAD TABLE  
MATERIAL HANDLING  
PASS-OFF APPLICATION

RELEASED 2/4/19

# ORDERING INFORMATION



**Pin Diameter**

**XXXX** (i.e. 8.00mm Pin = 0800)  
8.00mm-20.00mm Dia Range

**Body Style**

- A** 11.0 Dia thru & 8.00 Dia Dowels (Side)
- B** M10 Tap thru & 8.00 Dia Dowels (Side)
- C** 9.0 Dia thru & 8.00 Dia Dowels (Side)
- D** M8 Tap thru & 8.00 Dia Dowels (Side)
- E** M8 Tap & 8.00 Dia Dowels (End)

**Switch**

- 00** No Switch
- L3** Welker Solid State Cylinder Switch

**Spring**

- 0** Standard Spring
- 1** Light Load Spring

GOOD APPLICATIONS:

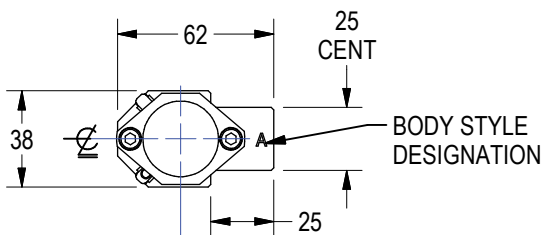
- ROBOT TEACH AID
- END OF ARM TOOLING
- PASS TABLE
- LOAD TABLE
- MATERIAL HANDLING
- PASS-OFF APPLICATION

BAD APPLICATIONS:

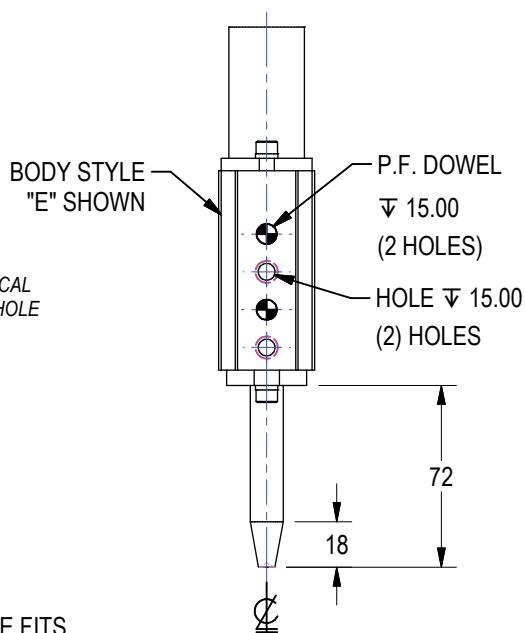
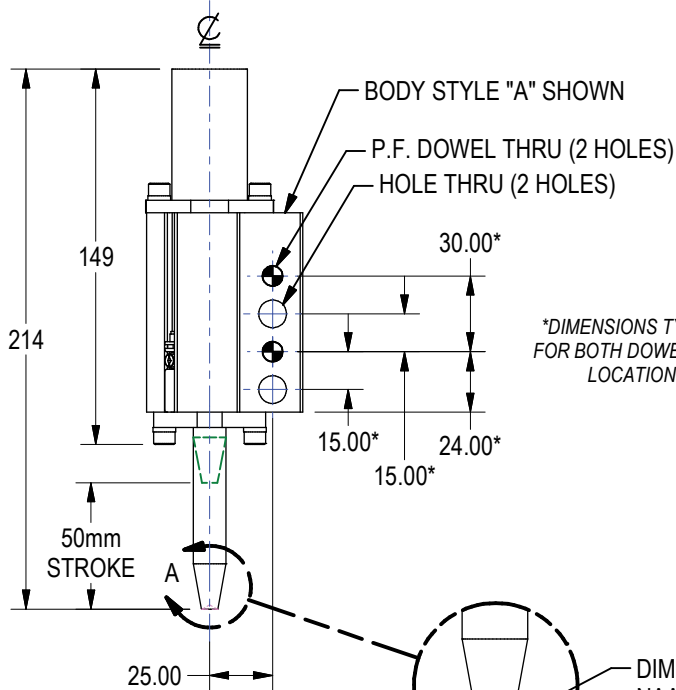
- NO-HOLE
- PARTS NOT CLAMPED
- PICK MISALIGNED
- PIN LINE-UP NOT THE SAME ANGLE

SPRING PRESSURE		
SPRING:	STANDARD	LIGHT LOAD
PIN EXTEND	5.0 LBS	3.0 LBS
PIN RETURNED	25.0 LBS	16.0 LBS
MAX COMPRESSION	50.0mm	50.0mm

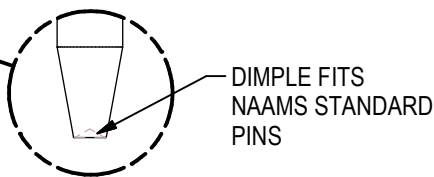
## GENERAL DIMENSIONS



BODY STYLE	DOWELS	HOLES	LOCATION
A	8.00	11.00	SIDE
B	8.00	M10x1.5 TAP	SIDE
C	8.00	9.00	SIDE
D	8.00	M8x1.25 TAP	SIDE
E	8.00	M8x1.25 TAP	END



\*DIMENSIONS TYPICAL FOR BOTH DOWEL/HOLE LOCATIONS



(DO NOT SCALE DRAWING)

**WELKER**  
ENGINEERED PRODUCTS  
800-229-0890 [www.welkerproducts.com](http://www.welkerproducts.com)