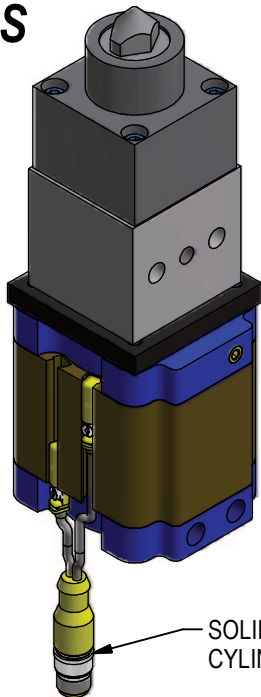


## INLINE MINI PIN & OFFSET MINI PIN COMPACT RETRACTABLE LOCATING PINS

**MPS**



SOLID STATE  
CYLINDER SWITCH

INLINE & OFFSET RETRACT PINS FOR REPEATABLE, PRECISION PART LOCATION. THE SMALLEST, LIGHTEST, FULL-FEATURE LOCATING PINS AVAILABLE.

FIXED NET SURFACE & PRIMARY PIN LOCATOR ARE COMBINED INTO ONE COMPONENT. VERSATILE NAAMS MOUNTING ON TWO SIDES.

EASY PIN CHANGE-OUT. PINS ARE INTERCHANGEABLE BETWEEN INLINE AND OFFSET - LOWER SPARE PARTS STOCKING COSTS.

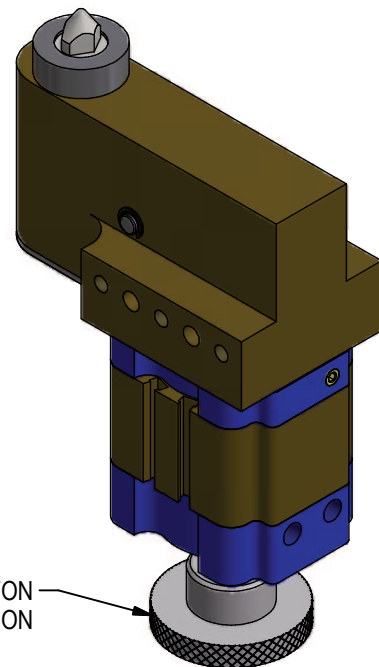
HARD ANODIZED ALUMINUM CONSTRUCTION, WELD SPATTER RESISTANT COATING.

WELKER ANTI-ROTATE TECHNOLOGY. RAP OR RIGID COUPLING. NO LUBRICATION NEEDED.

### APPLICATIONS:

SEATING  
END EFFECTORS  
INSTRUMENT PANELS  
EXHAUST  
TRUNNIONS

**MPC**



OPTIONAL PALM BUTTON  
FOR MANUAL OPERATION

RELEASED 11/9/17

# INLINE MINI PIN MPS ORDERING INFORMATION

NOTE: ALL BOXES MUST BE FILLED IN FOR A COMPLETE PART NUMBER



**Pin Diameter**

- 1589 Pin Diameter  
4.85 - 25.00mm  
(15.89mm dia. shown)
- XXXX No Pin
- 000S Pin Blank Max 19mm Dia.
- 000L Pin Blank Max 25mm Dia.

**Pin Style & Orientation**

- 0 Pin Blank (Machined by Customer)
- X No Pin
- A 4-Way Round
- B 2-Way Diamond
- C 2-Way Diamond (Rotated 90°)

**Backup Size**

- S Small 30mm Diameter Backup
- L Large 35mm Diameter Backup

**Coupler**

- A Rap
- B Rigid

**Port Position**

- A P1 Position
- B P2 Position
- C P3 Position
- D P4 Position

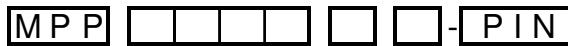
**Switch**

- 00 No Switch
- LX See Cylinder Switch Chart

**Actuator Options**

- 32 50mm Bore with NPT Port
- 33 50mm Bore with G Port
- 36 50mm Bore Double Rod with  
NPT Port & Palm Button
- 37 50mm Bore Double Rod with  
G Port & Palm Button

**To order replacement pins:**



**Pin Diameter**

- 1589 Pin Diameter
- 000S For Pin Blank Max 19mm Dia.
- 000L For Pin Blank Max 25mm Dia.

**Pin Style & Orientation**

- 0 Pin Blank (Machined by Customer)
- A 4-Way Round
- B 2-Way Diamond
- C 2-Way Diamond (Rotated 90°)

**Backup Size**

- S Small 30mm Diameter Backup
- L Large 35mm Diameter Backup

	Switch Option	Part Number	Manufacturer	Description
<b>Cylinder Switches</b>	<b>L3</b>	SWITCH L3 L3 switch is weld field immune, comparable to World Switches	Welker	4-Wire, 4-Pin, DC (PNP) M12 X 1 Quick Disconnect
	<b>L5</b>	MK5113 (This is a single sensor switch: 2 switches are installed per cylinder)	ifm Efector	3-Wire, 4-Pin, DC (NPN) M12 X 1 Quick Disconnect

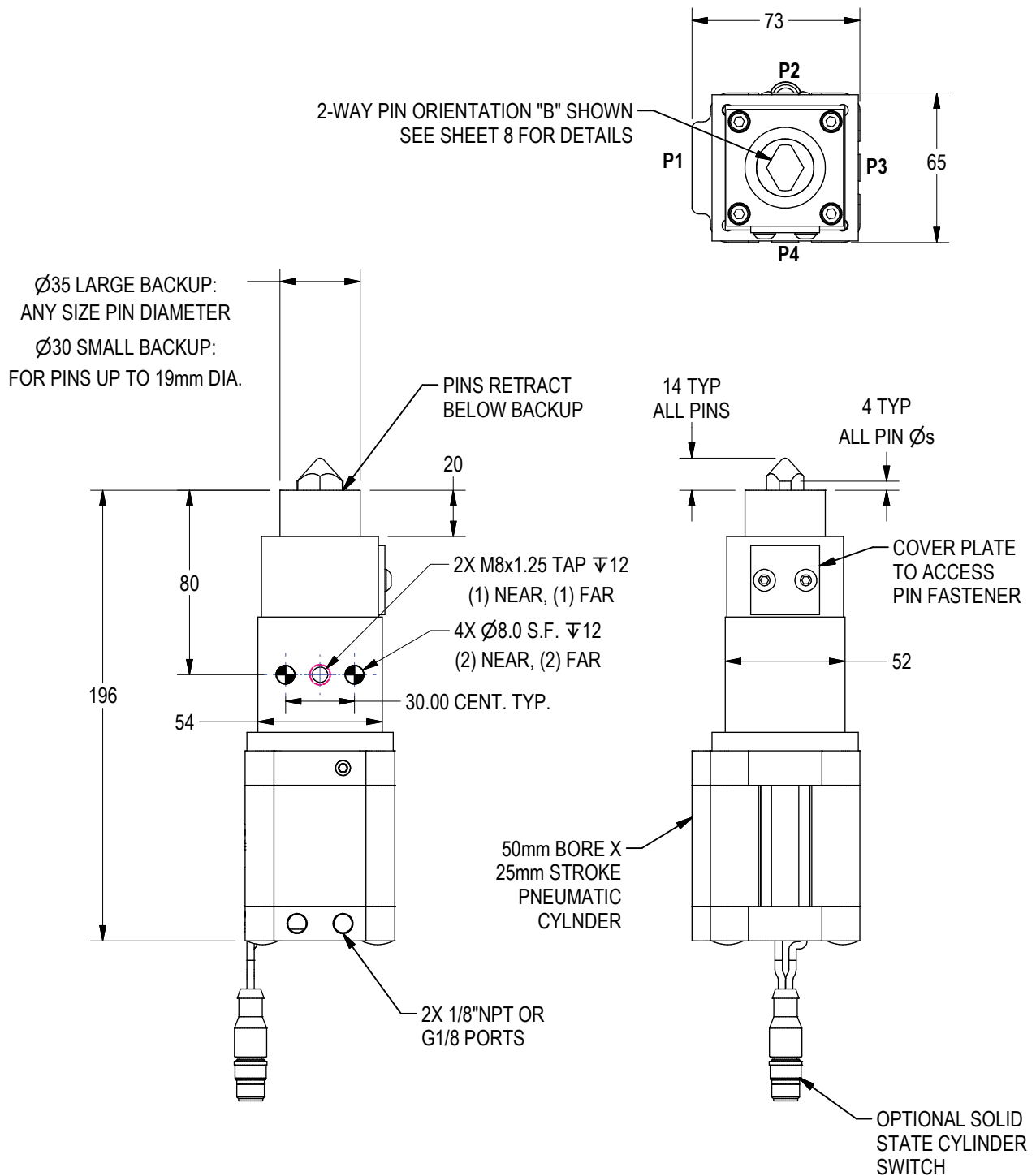
**Standard Switch Option - All other options may affect price and delivery**

(DO NOT SCALE DRAWING)

**ENGINEERED PRODUCTS**

800-229-0890 [www.welkerproducts.com](http://www.welkerproducts.com)

# GENERAL DIMENSIONS INLINE MINI PIN MPS



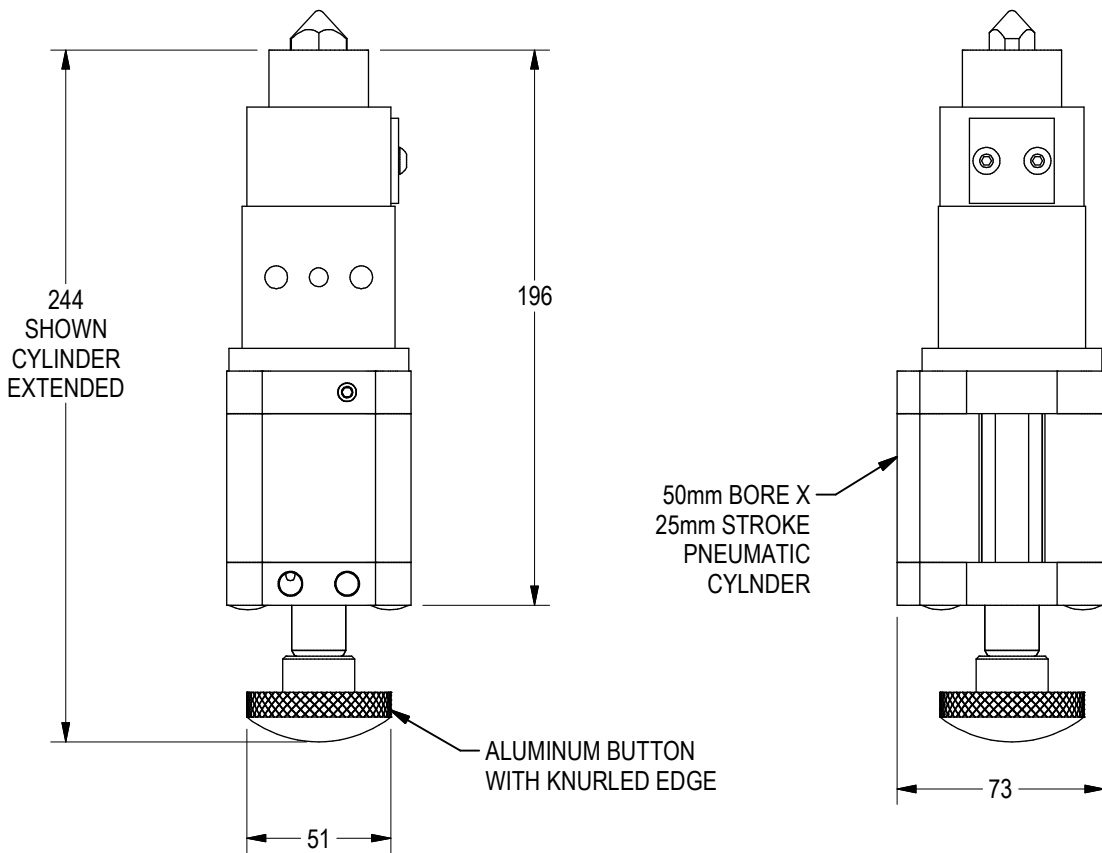
UNIT WEIGHTS*	
MODEL	WEIGHT
MPS	3.6 LBS
MPC	5.4 LBS

\*WEIGHTS VARY WITH OPTIONS

(DO NOT SCALE DRAWING)

# INLINE MINI PIN ~ PALM BUTTON OPTION

(FOR MANUAL OPERATION)



(DO NOT SCALE DRAWING)

**WELKER**  
ENGINEERED PRODUCTS  
800-229-0890 [www.welkerproducts.com](http://www.welkerproducts.com)

# OFFSET MINI PIN MPC ORDERING INFORMATION

NOTE: ALL BOXES MUST BE FILLED IN FOR A COMPLETE PART NUMBER

MPC
 
 
 
 
 
0
X
 
 
 
 

**Pin Diameter**

1589 Pin Diameter  
4.85 - 19.00mm  
(15.89mm dia. shown)

XXXX Pin Styles 0 & X

000S Pin Blank  
Max 19.00 Dia.

**Pin Style & Orientation**

- 0 Pin Blank (Machined by Customer)
- X No Pin
- A 4-Way Round
- B 2-Way Diamond
- C 2-Way Diamond (Rotated 90°)

**Actuator Options**

- 32 50mm Bore with NPT Port
- 33 50mm Bore with G Port
- 36 50mm Bore Double Rod with NPT Port & Palm Button
- 37 50mm Bore Double Rod with G Port & Palm Button

**Port Position**

- A P1 Position
- B P2 Position
- C P3 Position
- D P4 Position

**Switch**

- 00 No Switch
- LX See Cylinder Switch Chart

**To order replacement pins:**

MPP
 
 
 
 
 
0
-
P
I
N

**Pin Diameter**

1589 Pin Diameter  
XXXX For Pin Style 0  
000S For Pin Blank  
Max 19.00 Dia.

**Pin Style & Orientation**

- 0 Pin Blank (Machined by Customer)
- A 4-Way Round
- B 2-Way Diamond
- C 2-Way Diamond (Rotated 90°)

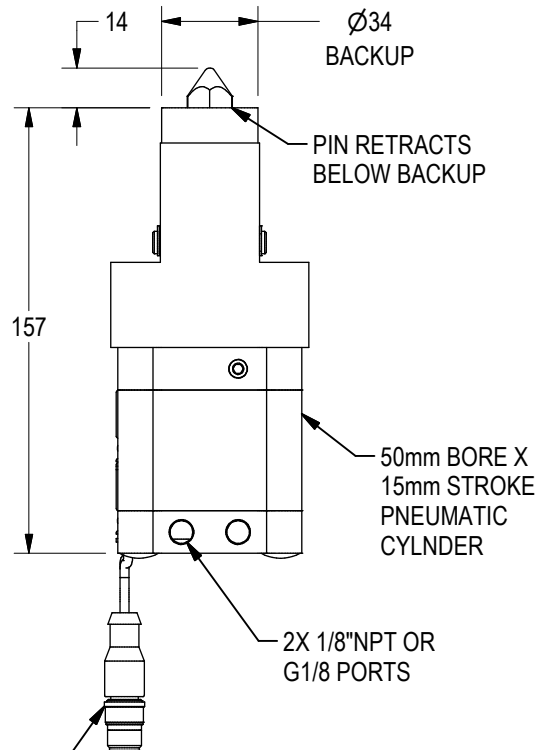
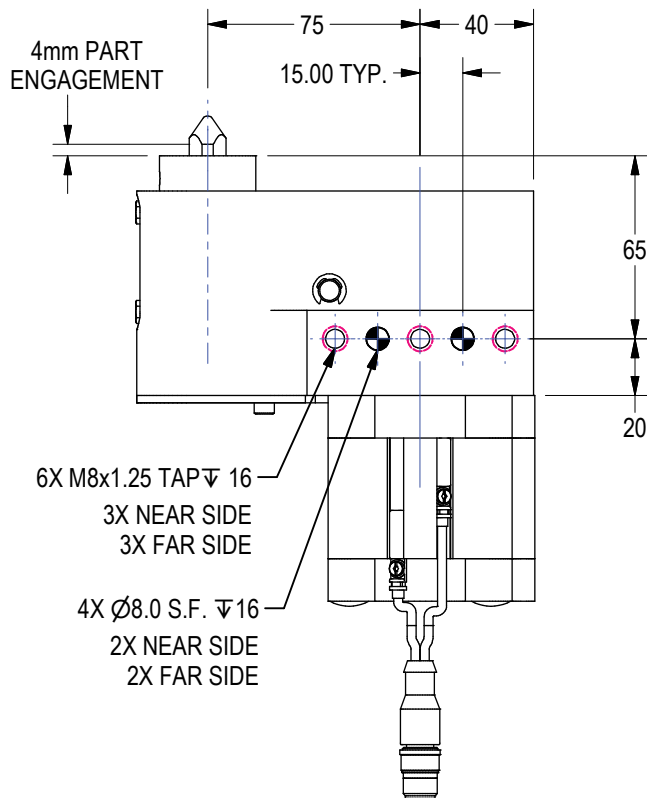
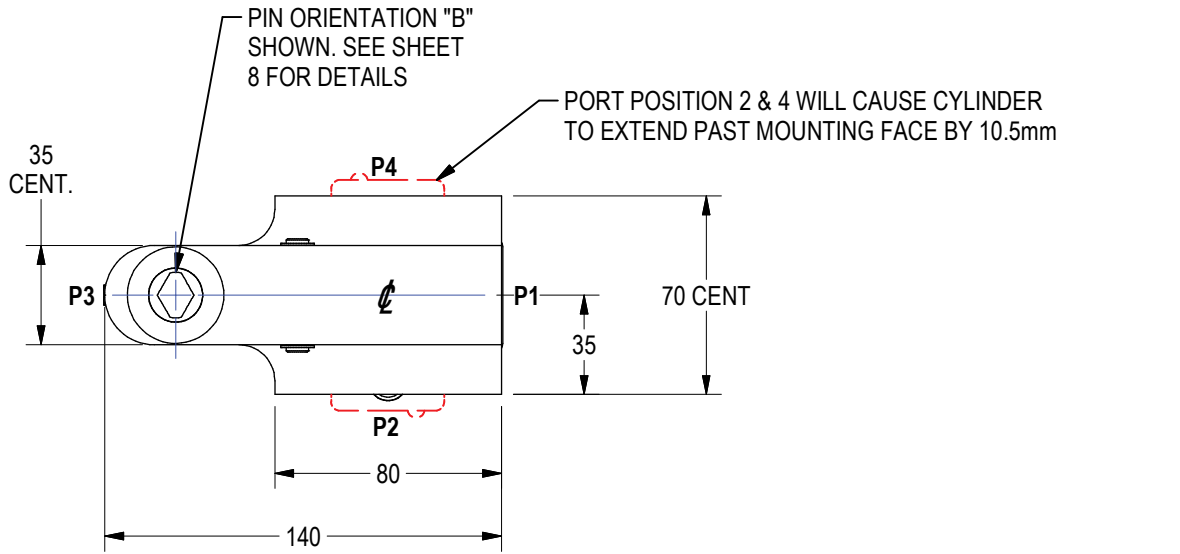
	Switch Option	Part Number	Manufacturer	Description
<b>Cylinder Switches</b>	L3	SWITCH L3 L3 switch is weld field immune, comparable to World Switches	Welker	4-Wire, 4-Pin, DC (PNP) M12 X 1 Quick Disconnect
	L5	MK5113 (This is a single sensor switch: 2 switches are installed per cylinder)	ifm Efector	3-Wire, 4-Pin, DC (NPN) M12 X 1 Quick Disconnect

**Standard Switch Option - All other options may affect price and delivery**

(DO NOT SCALE DRAWING)



# GENERAL DIMENSIONS ~ OFFSET MINI PIN MPC



OPTIONAL SOLID STATE CYLINDER SWITCH

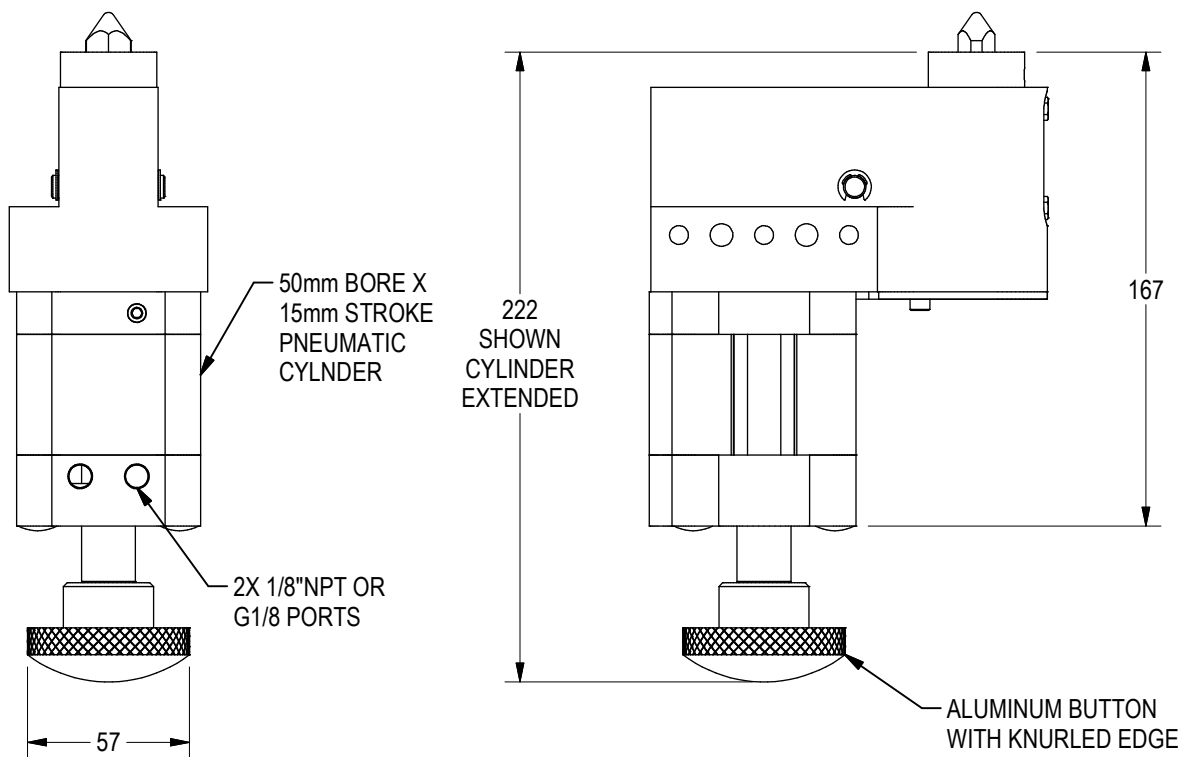
UNIT WEIGHTS*	
MODEL	WEIGHT
MPS	3.6 LBS
MPC	5.4 LBS

\*WEIGHTS VARY WITH OPTIONS

(DO NOT SCALE DRAWING)

# OFFSET MINI PIN ~ PALM BUTTON OPTION

(FOR MANUAL OPERATION)



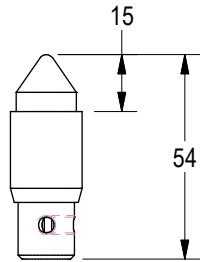
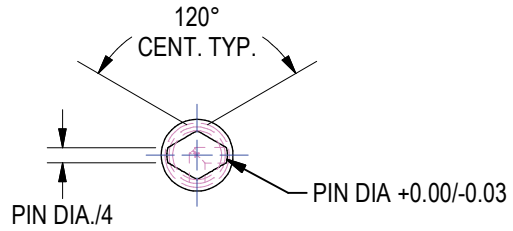
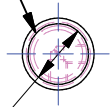
(DO NOT SCALE DRAWING)

**WELKER**  
ENGINEERED PRODUCTS  
800-229-0890 [www.welkerproducts.com](http://www.welkerproducts.com)

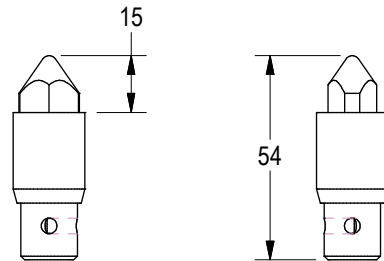
# PIN STYLE & ORIENTATION OPTIONS

PINS ARE A2 TOOL STEEL  
HARDENED TO Rc 58-62

PIN DIA +0.00/-0.03

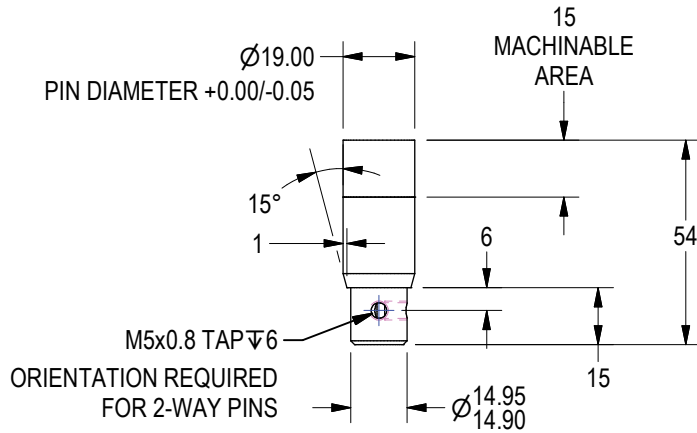
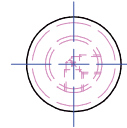
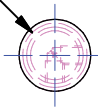


**OPTION "A" PIN**  
**4-WAY ROUND**

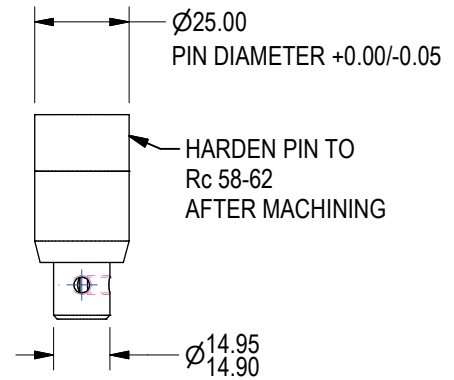


**OPTION "B" OR "C" PIN**  
**2-WAY DIAMOND**

HARDEN PIN TO Rc 58-62  
AFTER MACHINING



**OPTION "000S" PIN**  
**PIN BLANK FOR**  
**SMALL BACKUP**



**OPTION "000L" PIN**  
**PIN BLANK FOR**  
**LARGE BACKUP**

**PIN NOTE:**

PINS MANUFACTURED BY WELKER (OPTIONS A, B, & C) ARE HARDENED A2 TOOL STEEL. PIN BLANKS (OPTION "0") ARE SHIPPED UNHARDENED. HARDENING OF THE PIN AFTER MACHINING IS REQUIRED AND THE RESPONSIBILITY OF THE CUSTOMER.

(DO NOT SCALE DRAWING)

