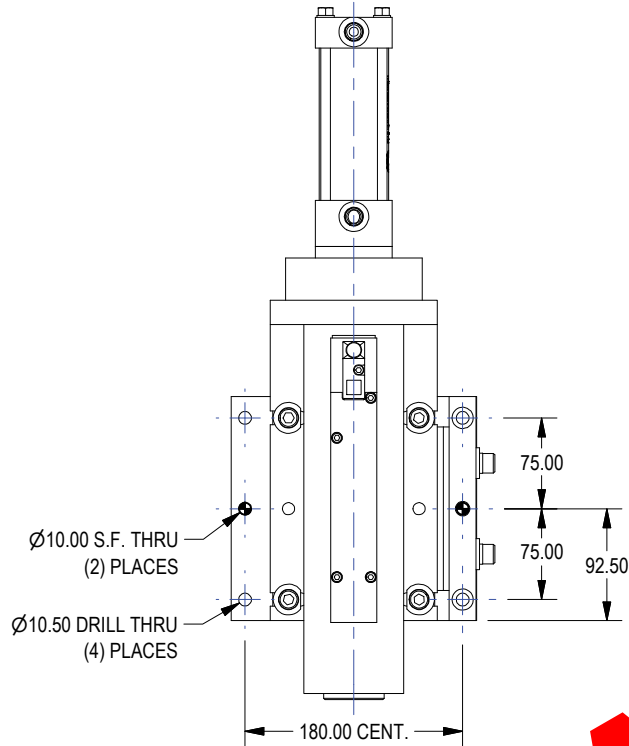
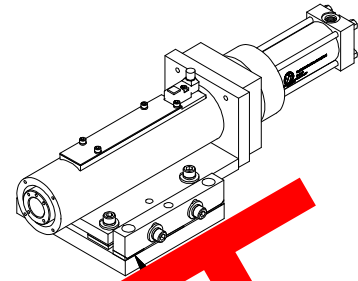


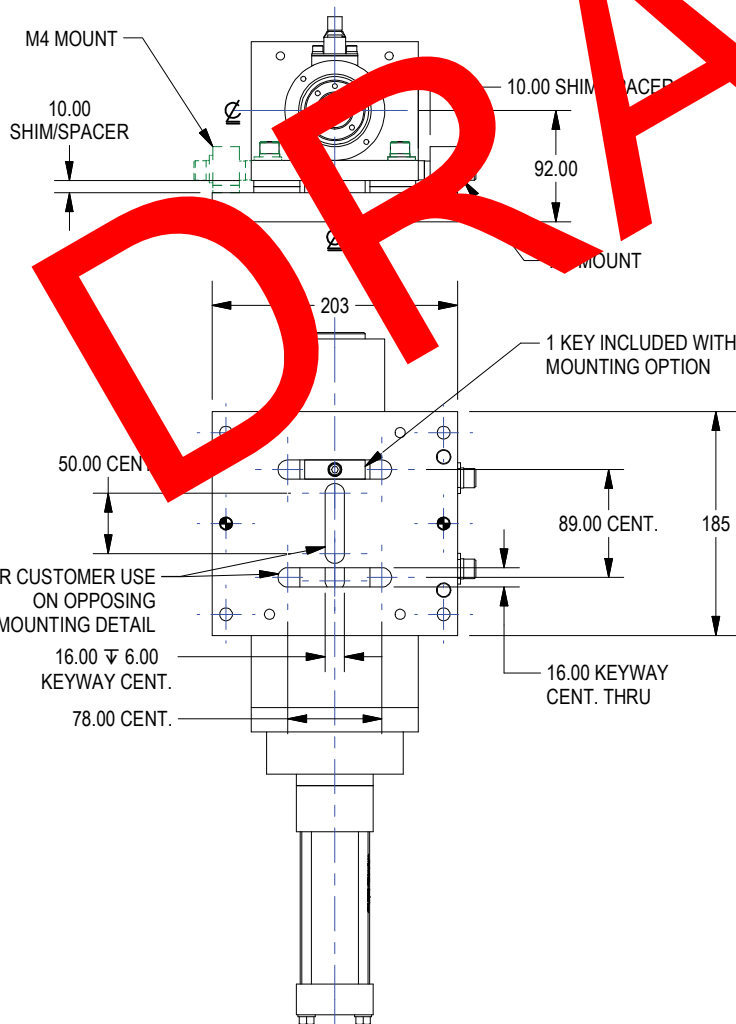
MOUNTING OPTION DIMENSIONS



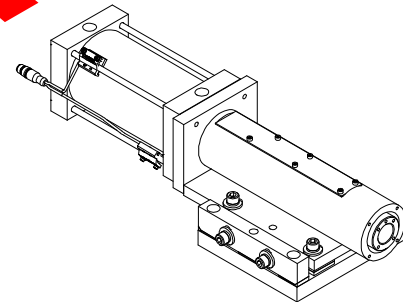
**HP5 WITH MOUNTING
ASSEMBLY OPTION M2:**
SHOWN WITH HYDRAULIC CYLINDER



WELDED ON BOTH ENDS
& STRIP WELDED ON LENGTH
OF REAR FOR BOTH SIDES
(NO WELD CENTER ON
INNER FACE)



**HP5 WITH MOUNTING
ASSEMBLY OPTION M4:**
SHOWN WITH PNEUMATIC CYLINDER



DRAFT

(DO NOT SCALE DRAWING)



ENGINEERED PRODUCTS

(800) 229-0890 www.welkerproducts.com