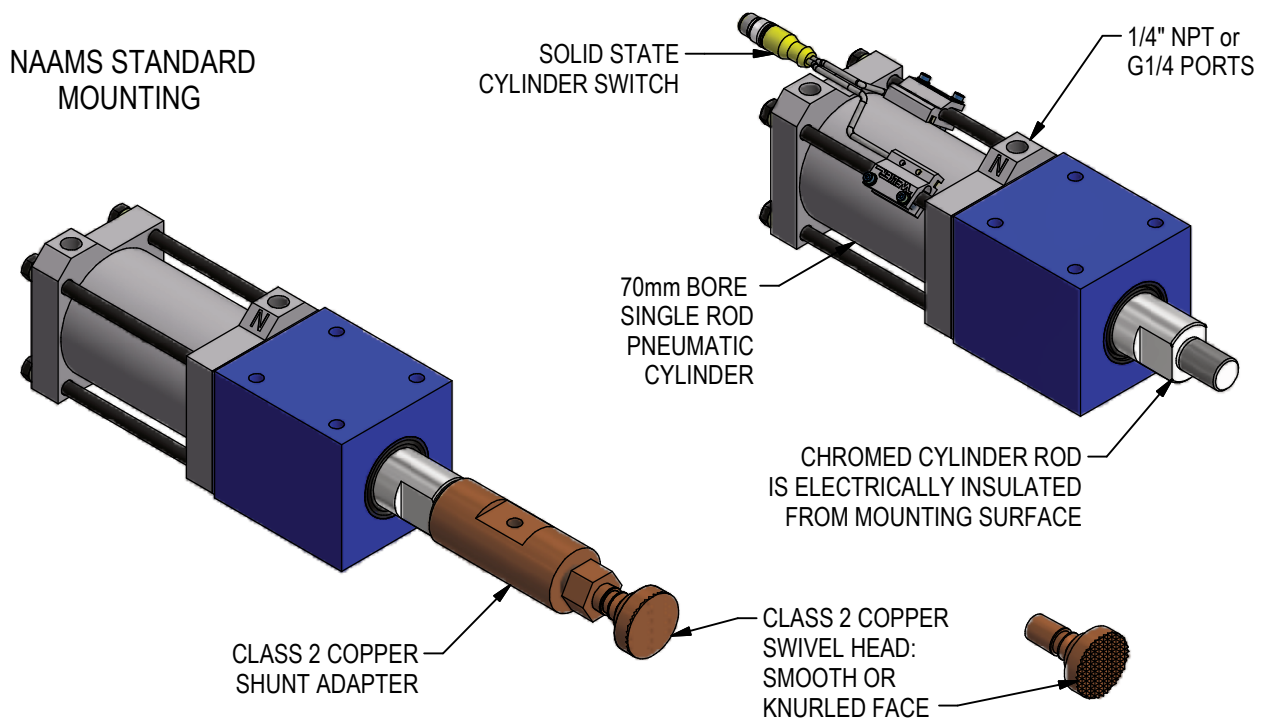


## GB3 GROUND BLOCK RETRACT CYLINDER

FOR ALL MIG & ARC WELDING APPLICATIONS IN FIXTURES, TRUNIONS, AND DIAL TABLES. INSULATED GROUND BLOCK CYLINDERS ARE IDEAL FOR SINGLE-POINT WELDING.



THE GB3 PRODUCES A CONSISTENT PRESSURIZED GROUND, EVEN AFTER SIGNIFICANT ELECTRODE WEAR, BY SHORT-STROKING THE CYLINDER 10mm. INCREASES WELD CONSISTENCY.

RETRACTABLE GROUND BLOCKS ALLOW EASY PART REMOVAL OR TRANSFER.

FITS STANDARD #2MT SWIVEL FOOT GROUND BLOCKS. BI-DIRECTIONAL BODY MOUNTING; FLOOR OR REMOTELY MOUNTED. LUBRICATION-FREE DESIGN.

INEXPENSIVE COMPARED TO MACHINED GROUND BLOCKS.

**RATED FOR 10,000 AMPS, MAX 30,000 AMPS**

REV 5/3/17

# ORDERING INFORMATION

NOTE: ALL BOXES MUST BE FILLED IN FOR A COMPLETE PART NUMBER

G	B	3	N							0	0
---	---	---	---	--	--	--	--	--	--	---	---

**Stroke\*\*** \_\_\_\_\_  
**025** 025, 032, 050, 075, or 100mm

**Port Type** \_\_\_\_\_  
**N** NPT Ports  
**G** G Ports

**Port Location** \_\_\_\_\_  
**1** See sheet 3

**Switch** \_\_\_\_\_  
**00** No switch  
**L3** See Welker Cylinder Switch Chart

**Nose Option** \_\_\_\_\_  
**0** None  
**A** Copper shunt adapter  
**B** Copper shunt adapter with swivel head, smooth face  
**C** Copper shunt adapter with swivel head, knurled face

**\*\* A minimum of 10mm stroke to go is recommended for all applications.**

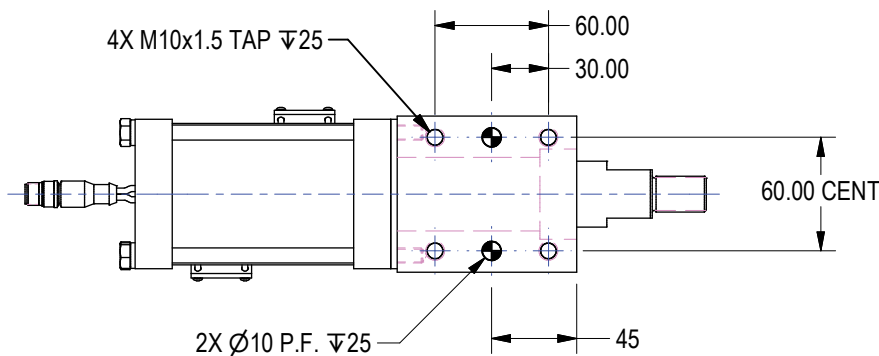
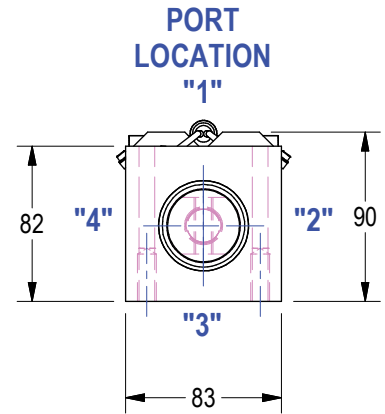
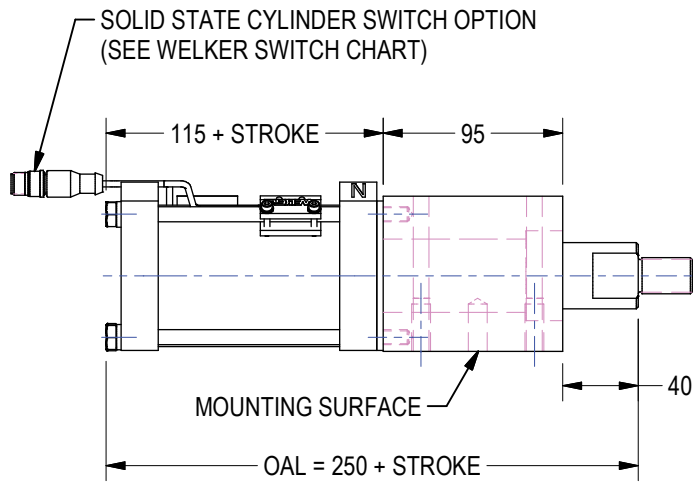
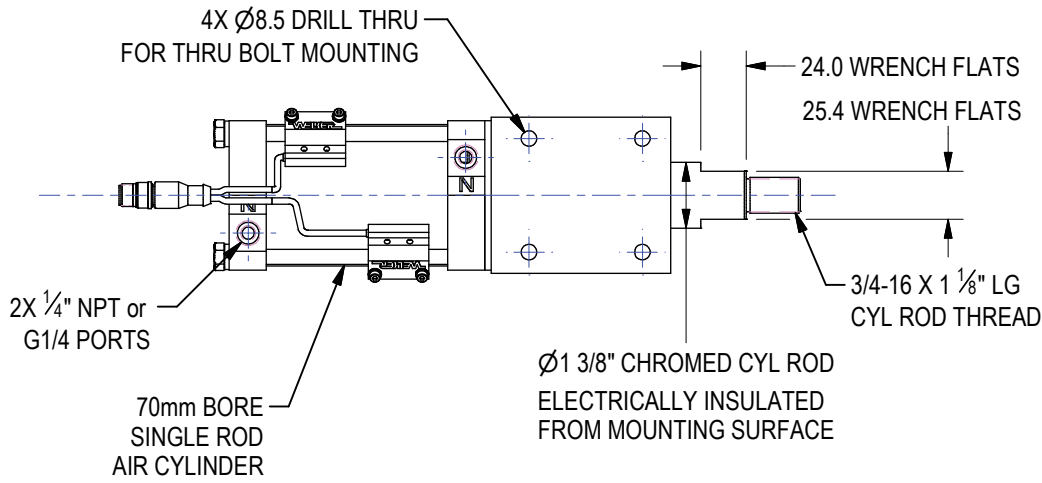
	Switch Option	Part Number	Manufacturer	Description
<b>Cylinder Switches</b>	<b>L3</b>	SWITCH L3 L3 sw itch is w eld field immune, comparable to World Sw itches	Welker	4-Wire, 4-Pin, DC (PNP) M12 X 1 Quick Disconnect
	<b>L5</b>	MK5113 (This is a single sensor sw itch: 2 sw itches are installed per cylinder)	ifm Efector	3-Wire, 4-Pin, DC (NPN) M12 X 1 Quick Disconnect

**Standard Switch Option - All other options may affect price and delivery**

(DO NOT SCALE DRAWING)



# GENERAL DIMENSIONS



UNIT WEIGHTS**	
UNIT STROKE	WEIGHT
25mm	11.5 LBS
32mm	11.5 LBS
50mm	12.5 LBS
75mm	13.0 LBS
100mm	13.5 LBS

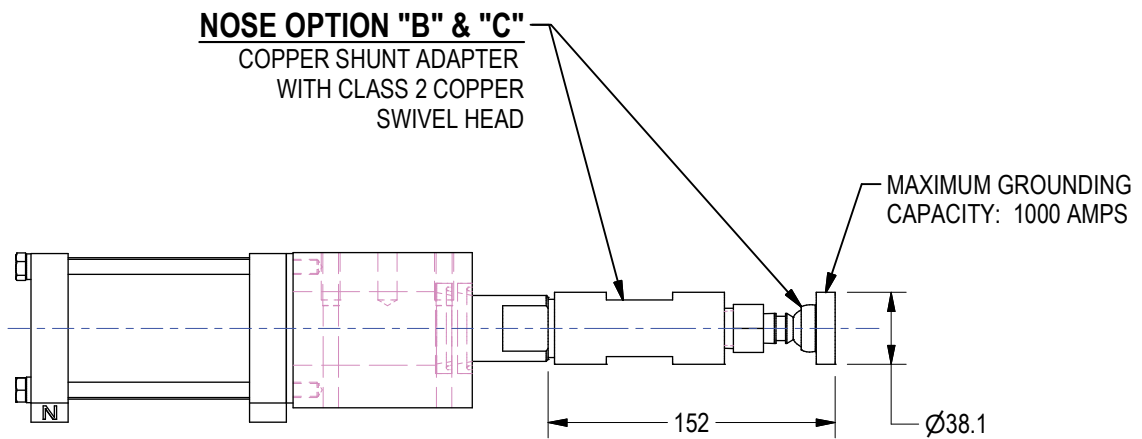
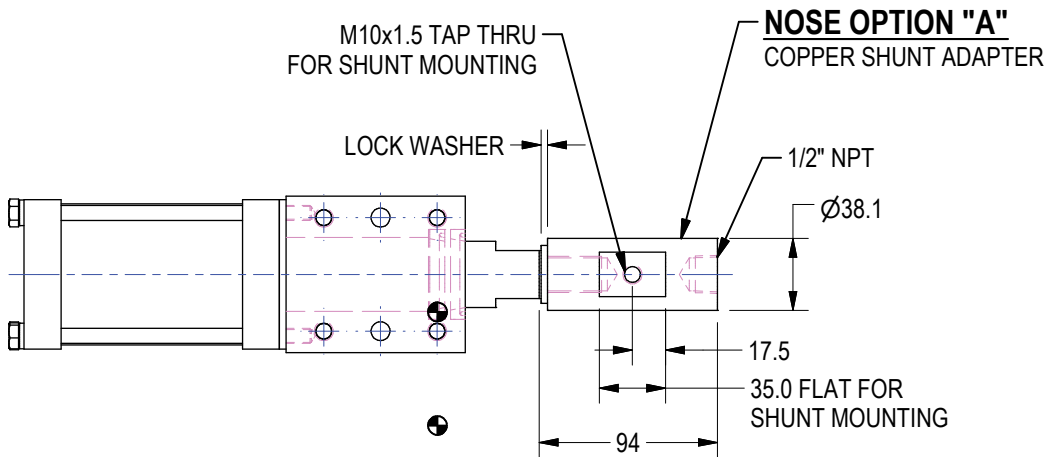
\*\*WEIGHTS SHOWN ARE APPROXIMATE AND WILL VARY WITH OPTION SELECTION.

# OPTIONS

G
B
3
N
0
2
5
N
1
L
3
 
0
0

**Nose Option**

- 0** None
- A** Copper shunt adapter
- B** Copper shunt adapter with swivel head, smooth face
- C** Copper shunt adapter with swivel head, knurled face



(DO NOT SCALE DRAWING)