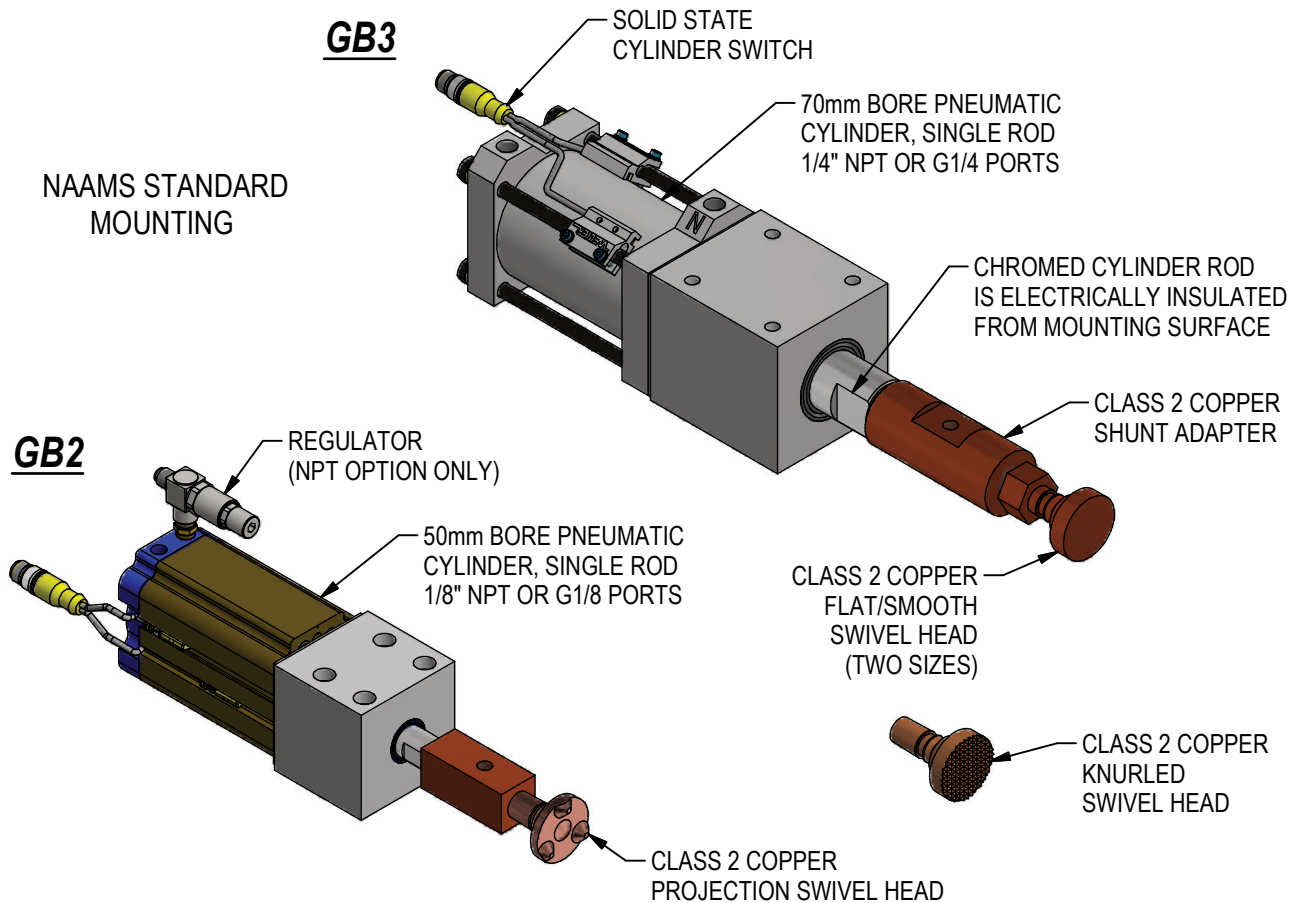


## GROUND BLOCK RETRACT CYLINDERS

FOR ALL MIG & ARC WELDING APPLICATIONS IN FIXTURES, TRUNIONS, AND DIAL TABLES. INSULATED GROUND BLOCK CYLINDERS ARE IDEAL FOR SINGLE-POINT WELDING.



- THE GB SERIES GROUND BLOCK CYLINDERS PRODUCE A CONSISTENT PRESSURIZED GROUND, EVEN AFTER SIGNIFICANT ELECTRODE WEAR, BY SHORT-STROKING THE CYLINDER 10mm. INCREASES WELD CONSISTENCY.
- RETRACTABLE GROUND BLOCKS ALLOW EASY PART REMOVAL OR TRANSFER.
- FITS STANDARD #2MT SWIVEL FOOT GROUND BLOCKS. BI-DIRECTIONAL BODY MOUNTING; FLOOR OR REMOTELY MOUNTED. LUBRICATION-FREE DESIGN.
- INEXPENSIVE COMPARED TO MACHINED GROUND BLOCKS.
- **RATED FOR 10,000 AMPS, MAX 30,000 AMPS**

REV 8/13/20

## ORDERING INFORMATION

NOTE: ALL BOXES MUST BE FILLED IN FOR A COMPLETE PART NUMBER

	G	B		N							0	
<b>Series</b>	_____											
2	GB2											
3	GB3											
<b>Stroke</b>	_____											
025	GB2: 025 & 50mm (only)											
025	GB3: 025, 032, 050, 075 & 100mm											
<b>Port Type</b>	_____											
N	NPT Ports											
G	G Ports											
<b>Port Location</b>	_____											
1	"1" Shown (2, 3 or 4)											
<b>Switch</b>	_____											
00	No switch											
LX	See Welker Cylinder Switch Chart											
<b>Nose Option</b>	_____											
0	None											
A	Copper shunt adapter											
B	Copper shunt adapter w/ Flat Swivel head											
C	Copper shunt adapter w/ Serrated Swivel head											
D	Copper shunt adapter w/ Projection Swivel head											
E	Copper shunt adapter w/ Small Flat Swivel head											
<b>Regulator</b>	_____											
0	No Regulator											
R	Regulator: For NPT ports only (GB2 only) Minimum output force is 45lbf @ 16 PSI											

\*\* A minimum of 10mm stroke to go is recommended for all applications.

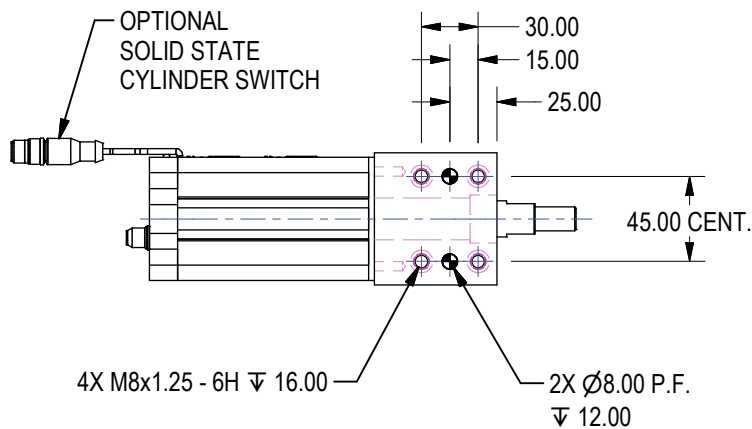
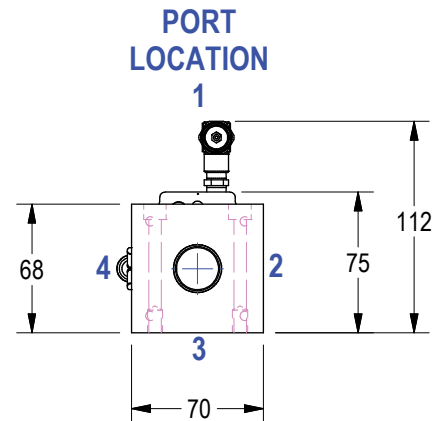
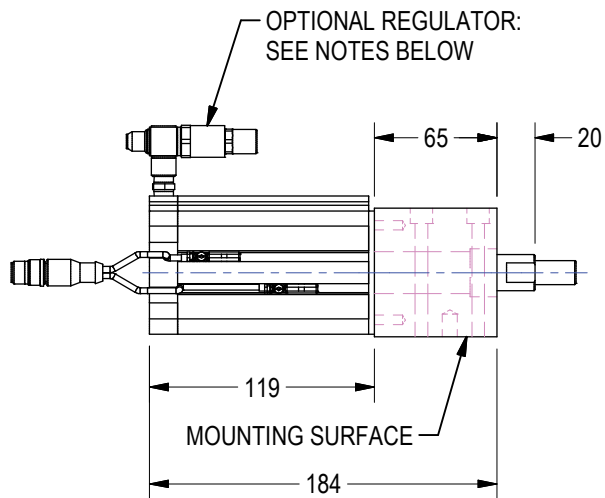
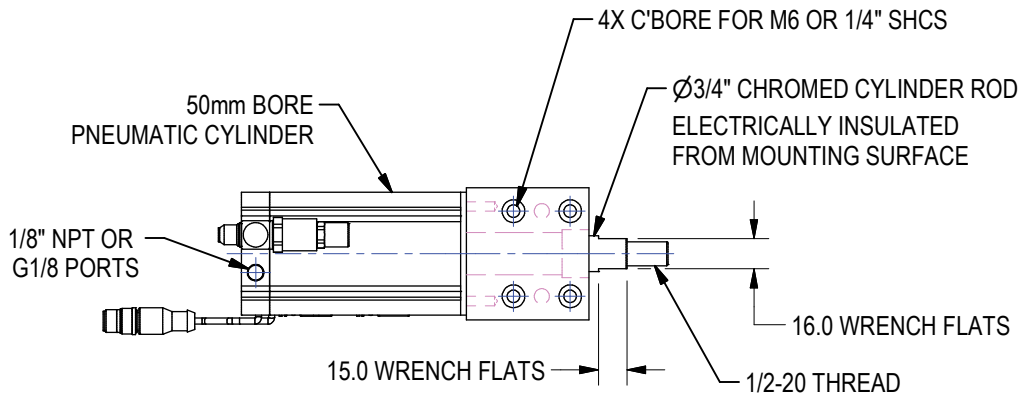
	Switch Option	Part Number	Manufacturer	Description
<b>Cylinder Switches</b>	L3	SWITCH L3 L3 switch is weld field immune, comparable to World Switches	Welker	4-Wire, 4-Pin, DC (PNP) M12 X 1 Quick Disconnect
	L5	MK5113 (This is a single sensor switch: 2 switches are installed per cylinder)	ifm Efeactor	3-Wire, 4-Pin, DC (NPN) M12 X 1 Quick Disconnect

Standard Switch Option - All other options may affect price and delivery

(DO NOT SCALE DRAWING)



# GB2 DIMENSIONS



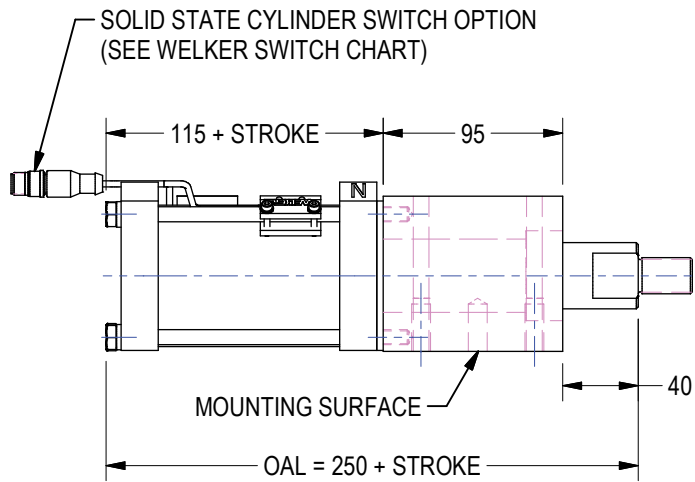
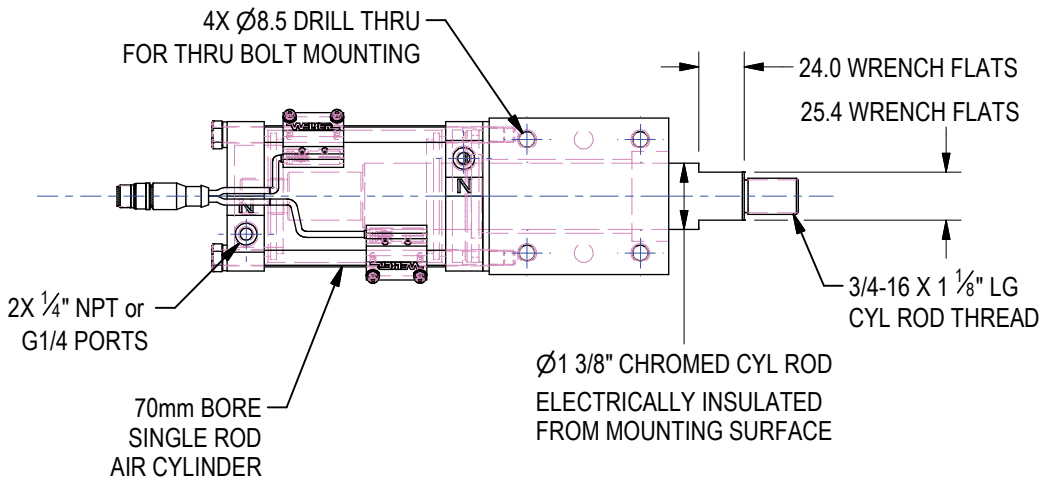
APPROX. WEIGHT: 6.2 LBS

**REGULATOR NOTES:**

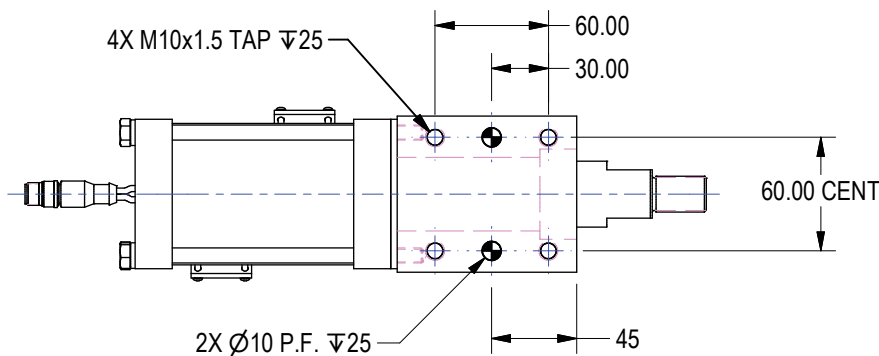
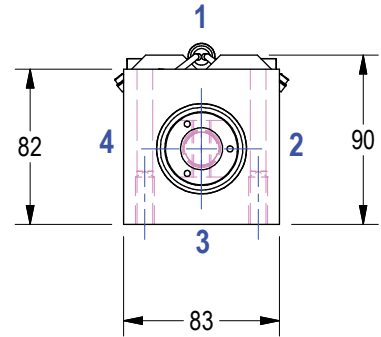
1. FOR NPT OPTION ONLY
2. MINIMUM OUTPUT FORCE IS 45lbf @ 16 PSI

(DO NOT SCALE DRAWING)

# GB3 DIMENSIONS



## PORT LOCATION

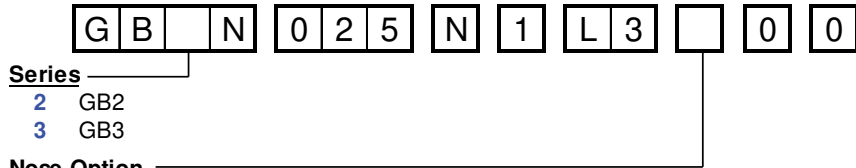


UNIT WEIGHTS**	
UNIT STROKE	WEIGHT
25mm	11.5 LBS
32mm	11.5 LBS
50mm	12.5 LBS
75mm	13.0 LBS
100mm	13.5 LBS

\*\*WEIGHTS SHOWN ARE APPROXIMATE AND WILL VARY WITH OPTION SELECTION.

(DO NOT SCALE DRAWING)

# NOSE OPTIONS



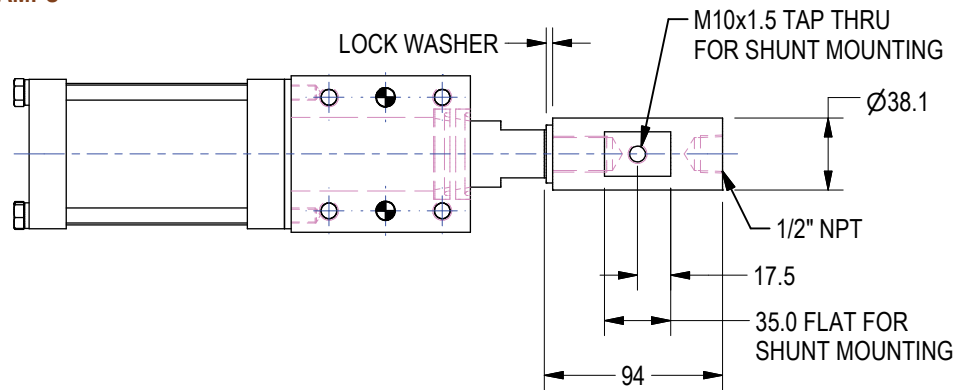
- Series**
- 2 GB2
  - 3 GB3

- Nose Option**
- 0 None
  - A Copper shunt adapter
  - B Copper shunt adapter w/ Flat Swivel head
  - C Copper shunt adapter w/ Serrated Swivel head
  - D Copper shunt adapter w/ Projection Swivel head
  - E Copper shunt adapter w/ Small Flat Swivel head

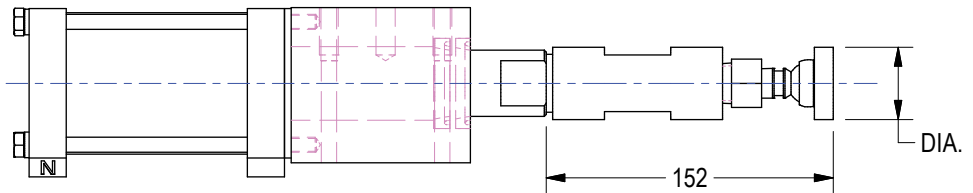
**\*SWIVEL HEADS ARE CLASS 2 COPPER  
RATED FOR 10,000 AMPS  
MAXIMUM 30,000 AMPS**



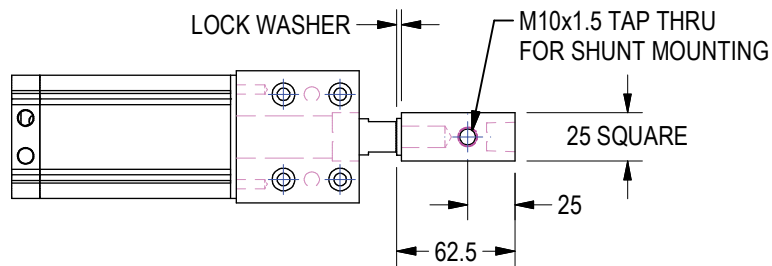
## GB3 NOSE OPTION A



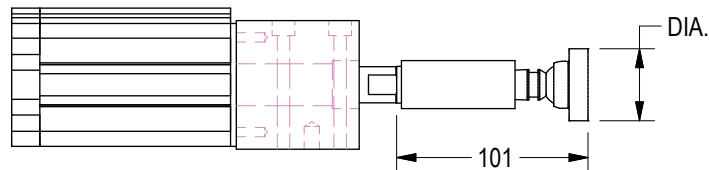
## GB3 NOSE OPTIONS B, C, D, E



## GB2 NOSE OPTION A



## GB2 NOSE OPTIONS B, C, D, E



DIA.: NOSE OPTION DIAMETER (mm)			
B	C	D	E
38.1	38.1	38.1	22.2