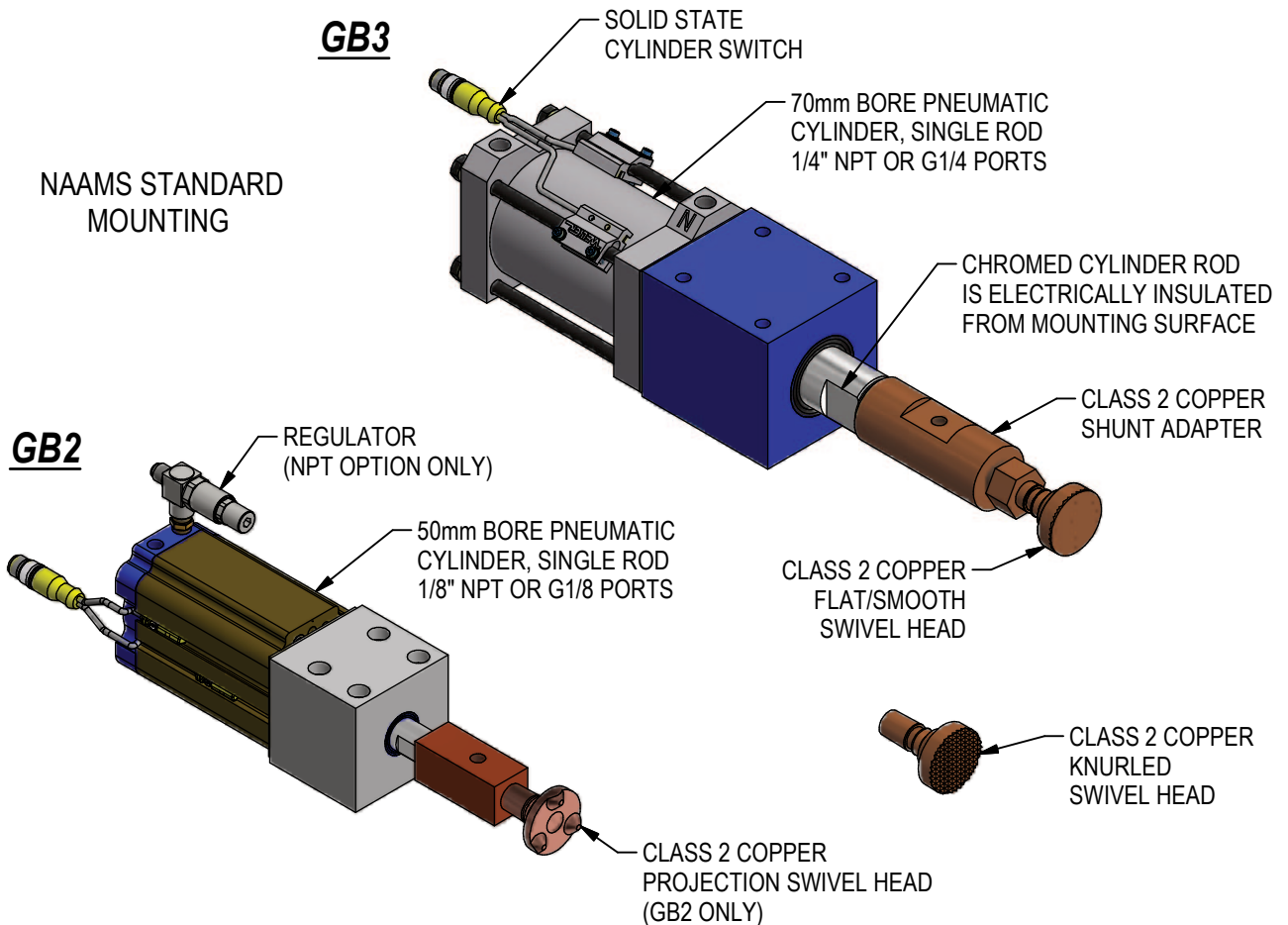


## GROUND BLOCK RETRACT CYLINDERS

FOR ALL MIG & ARC WELDING APPLICATIONS IN FIXTURES, TRUNIONS, AND DIAL TABLES.  
INSULATED GROUND BLOCK CYLINDERS ARE IDEAL FOR SINGLE-POINT WELDING.



- THE GB SERIES GROUND BLOCK CYLINDERS PRODUCE A CONSISTENT PRESSURIZED GROUND, EVEN AFTER SIGNIFICANT ELECTRODE WEAR, BY SHORT-STROKING THE CYLINDER 10mm. INCREASES WELD CONSISTENCY.
- RETRACTABLE GROUND BLOCKS ALLOW EASY PART REMOVAL OR TRANSFER.
- FITS STANDARD #2MT SWIVEL FOOT GROUND BLOCKS. BI-DIRECTIONAL BODY MOUNTING; FLOOR OR REMOTELY MOUNTED. LUBRICATION-FREE DESIGN.
- INEXPENSIVE COMPARED TO MACHINED GROUND BLOCKS.
- **RATED FOR 10,000 AMPS, MAX 30,000 AMPS**

REV 6/28/17

## ORDERING INFORMATION

NOTE: ALL BOXES MUST BE FILLED IN FOR A COMPLETE PART NUMBER

G	B		N							0	
---	---	--	---	--	--	--	--	--	--	---	--

**Series** \_\_\_\_\_

- 2 GB2
- 3 GB3

**Stroke** \_\_\_\_\_

- 025 GB2: 025 & 50mm (only)
- 025 GB3: 025, 032, 050, 075 & 100mm

**Port Type** \_\_\_\_\_

- N NPT Ports
- G G Ports

**Port Location** \_\_\_\_\_

- 1 "1" Shown (2, 3 or 4)

**Switch** \_\_\_\_\_

- 00 No switch
- LX See Welker Cylinder Switch Chart

**Nose Option** \_\_\_\_\_

- 0 None
- A Copper shunt adapter
- B Copper shunt adapter w/ Flat Swivel head
- C Copper shunt adapter w/ Serrated Swivel head
- D Copper shunt adapter w/ Projection Swivel head (GB2 only)

**Regulator** \_\_\_\_\_

- 0 No Regulator
- R Regulator: For NPT ports only (GB2 only)  
Minimum output force is 45lbf @ 16 PSI

**\*\* A minimum of 10mm stroke to go is recommended for all applications.**

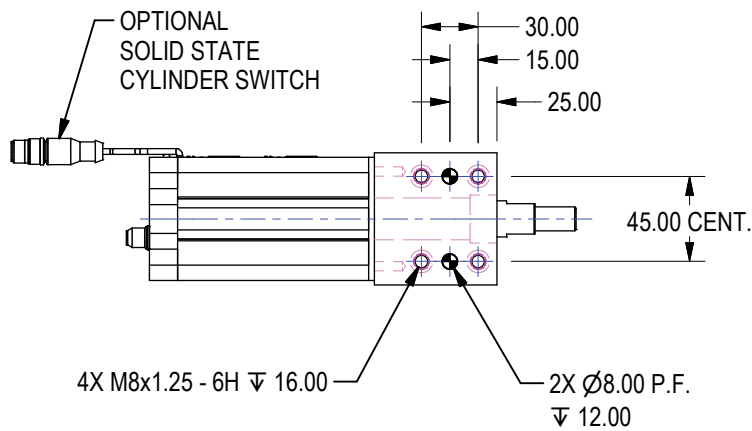
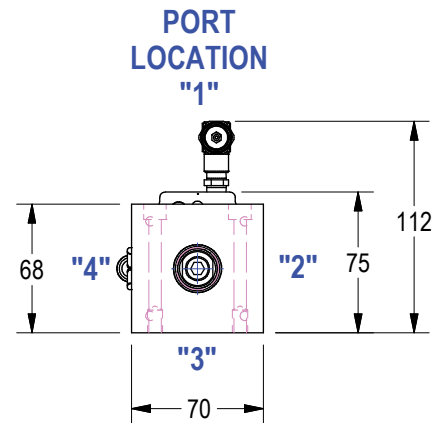
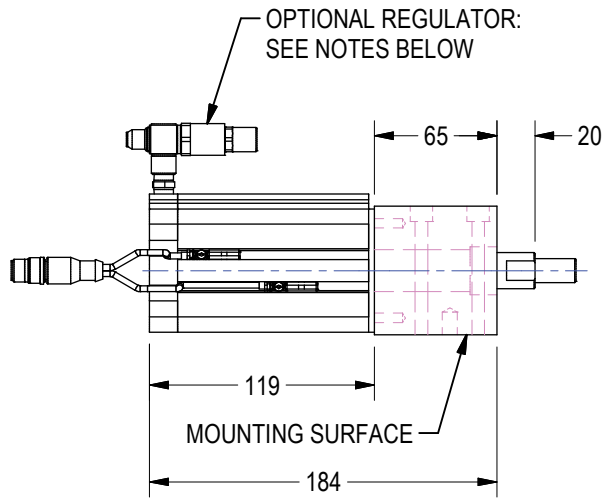
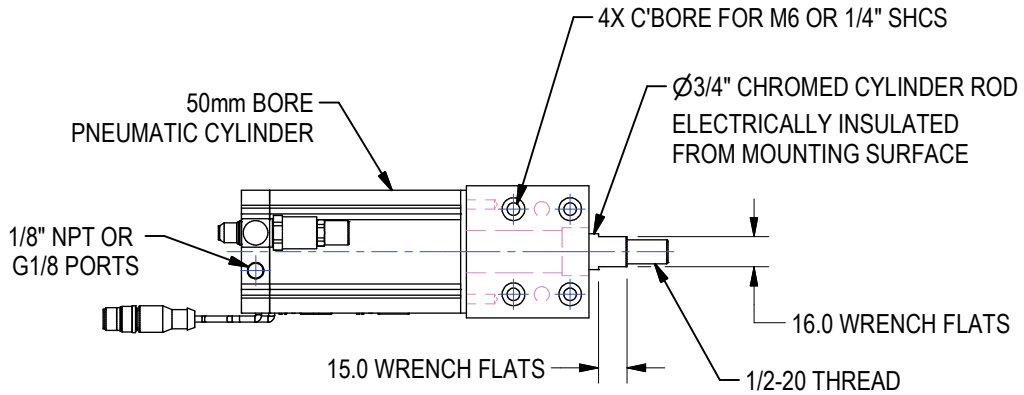
	Switch Option	Part Number	Manufacturer	Description
<b>Cylinder Switches</b>	L3	SWITCH L3 L3 switch is weld field immune, comparable to World Switches	Welker	4-Wire, 4-Pin, DC (PNP) M12 X 1 Quick Disconnect
	L5	MK5113 (This is a single sensor switch: 2 switches are installed per cylinder)	ifm Efeactor	3-Wire, 4-Pin, DC (NPN) M12 X 1 Quick Disconnect

**Standard Switch Option - All other options may affect price and delivery**

(DO NOT SCALE DRAWING)



# GB2 DIMENSIONS



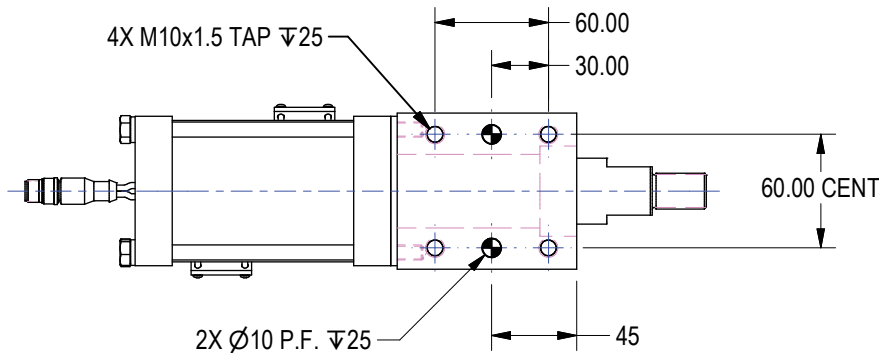
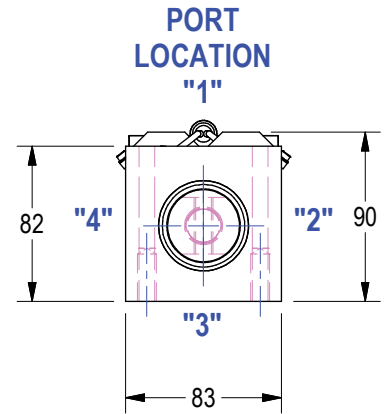
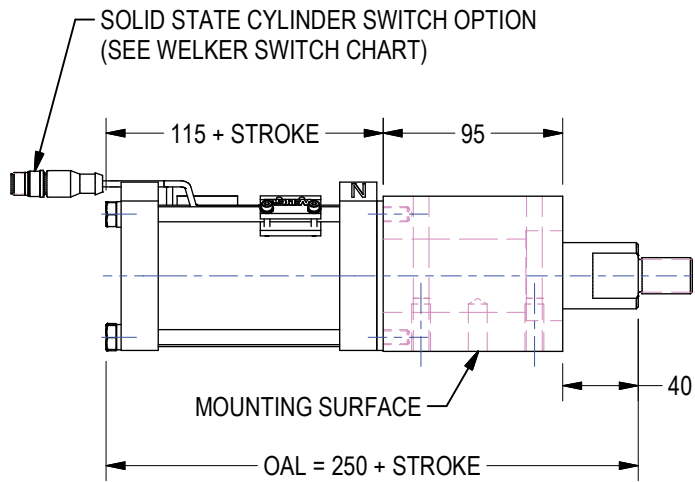
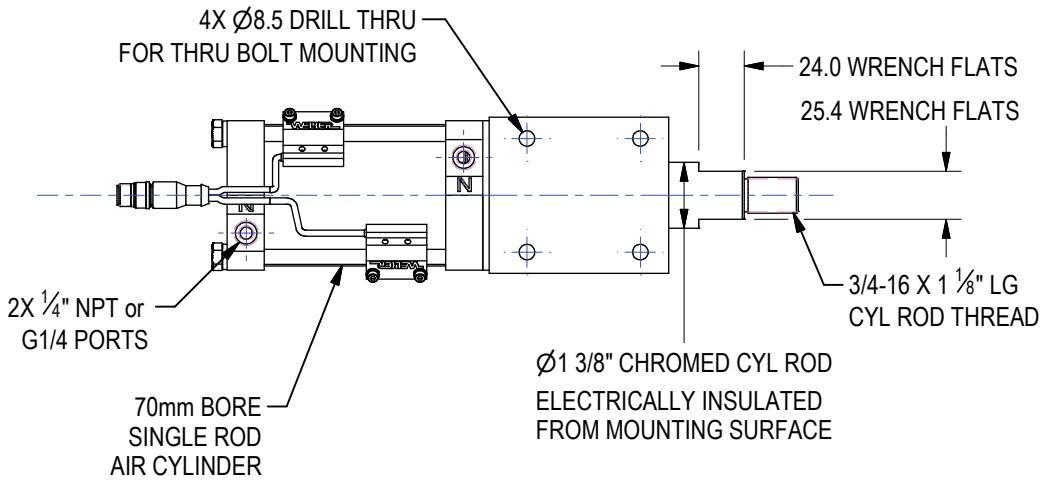
APPROX. WEIGHT: 6.2 LBS

## REGULATOR NOTES:

1. FOR NPT OPTION ONLY
2. MINIMUM OUTPUT FORCE IS 45lbf @ 16 PSI

(DO NOT SCALE DRAWING)

# GB3 DIMENSIONS



UNIT WEIGHTS**	
UNIT STROKE	WEIGHT
25mm	11.5 LBS
32mm	11.5 LBS
50mm	12.5 LBS
75mm	13.0 LBS
100mm	13.5 LBS

\*\*WEIGHTS SHOWN ARE APPROXIMATE AND WILL VARY WITH OPTION SELECTION.

(DO NOT SCALE DRAWING)

# NOSE OPTIONS

G
B
 
N
0
2
5
N
1
L
3
 
0
0

**Series**

- 2 GB2
- 3 GB3

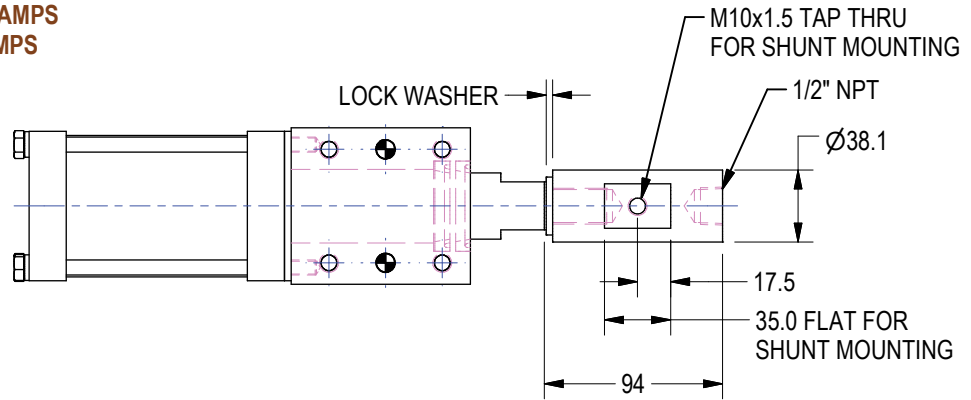
**Nose Option**

- 0 None
- A Copper shunt adapter
- B Copper shunt adapter w/ Flat Swivel head\*
- C Copper shunt adapter w/ Serrated Swivel head\*
- D Copper shunt adapter w/ Projection Swivel head\* (GB2 ONLY)

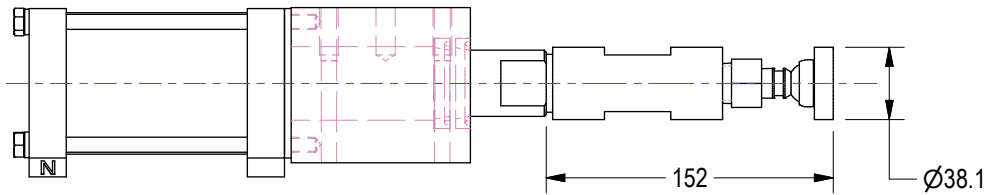


**\*SWIVEL HEADS ARE CLASS 2 COPPER  
RATED FOR 10,000 AMPS  
MAXIMUM 30,000 AMPS**

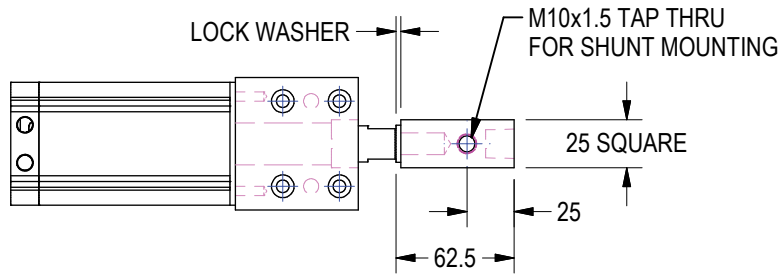
**GB3  
NOSE OPTION A**



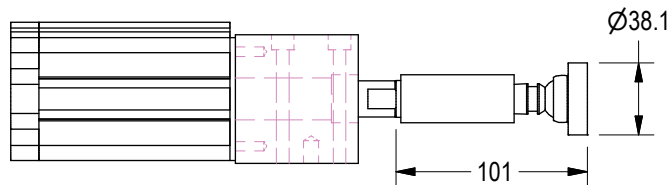
**GB3  
NOSE OPTIONS  
B & C**



**GB2  
NOSE OPTION A**



**GB2  
NOSE OPTIONS  
B, C, D**



(DO NOT SCALE DRAWING)

**WELKER**  
 ENGINEERED PRODUCTS  
 248-528-2020 [www.welkerproducts.com](http://www.welkerproducts.com)