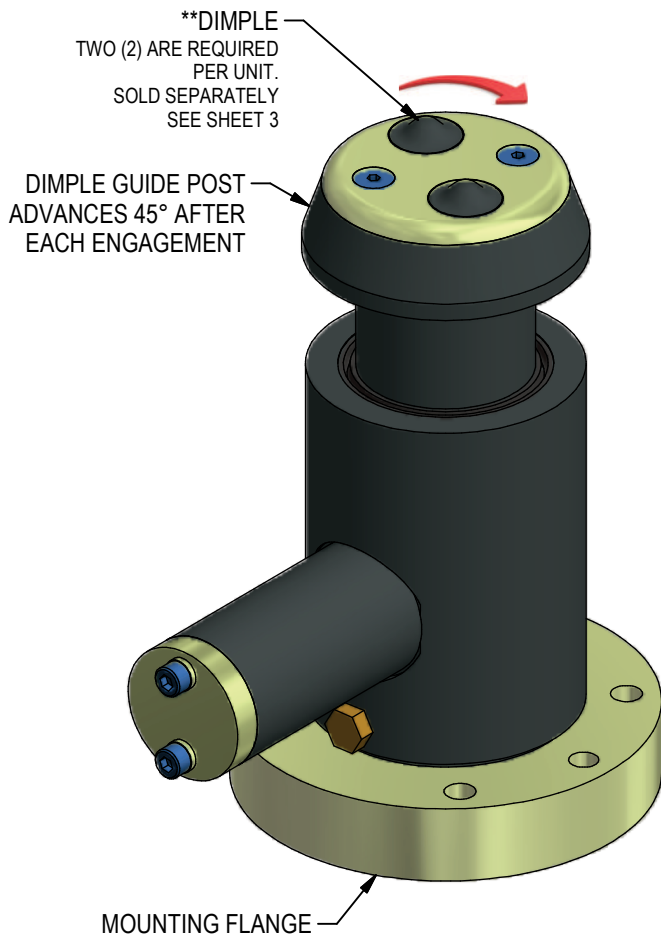


AUTO-INDEXING DIMPLER WD3

WELKER AUTO-INDEXING DIMPLER PREVENTS SHEET METAL BLANKS FROM STICKING TOGETHER IN STAMPING OPERATIONS BY PRODUCING SMALL DIMPLES IN THE TRIM EDGE THAT AUTOMATICALLY INDEX WITH THE ACTION OF THE PRESS.



PROTECTS DIES BY MINIMIZING POTENTIAL FOR MULTIPLE BLANK FEEDS

REQUIRES NO AIR, HYDRAULIC OR ELECTRICAL CONNECTIONS

ACTUATED BY GAS SPRING FOR SUPERIOR RELIABILITY

INCREASES EFFICIENCY OF PART TRANSFER SYSTEMS

SUITABLE FOR ALUMINUM OR HIGH STRENGTH STEELS

7 INDEXES PER REVOLUTION MINIMIZES POTENTIAL FOR DIMPLE NESTING



CAN CORRECT FAN STACK EFFECT ON TAILOR-WELDED BLANKS



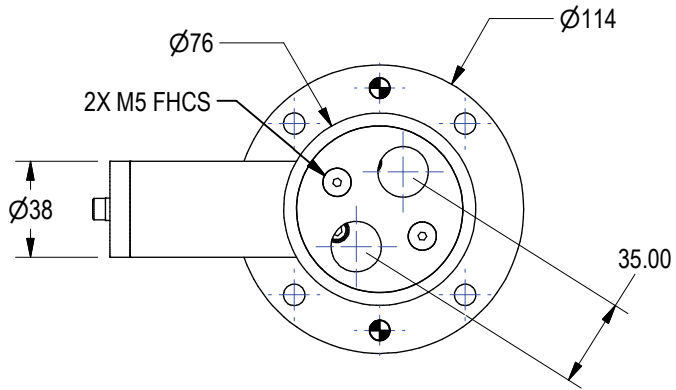
**ANY DIMPLES PROVIDED BY WELKER WITHOUT CUSTOMER SUPPLIED METAL SAMPLE TRYOUT PIECES RUN AT WELKER AND APPROVED IN WRITING BY CUSTOMER ARE NOT GUARANTEED.

RELEASED 2/5/18



WELKER AUTO-INDEXING
DIMPLER WEB PAGE

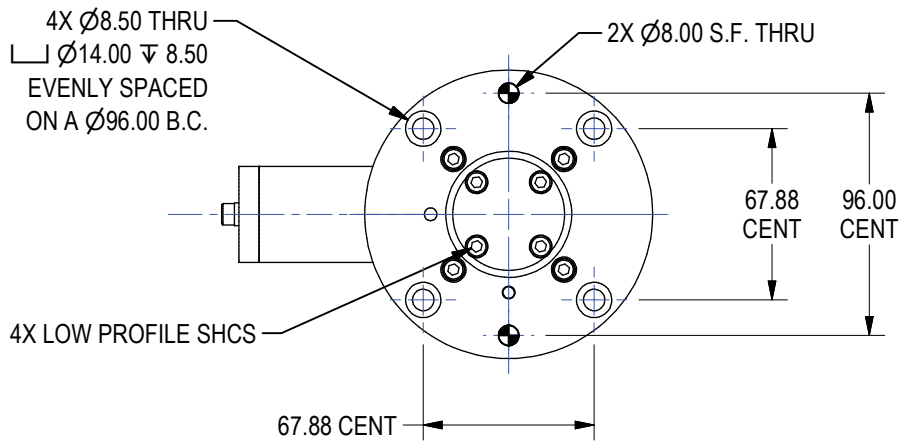
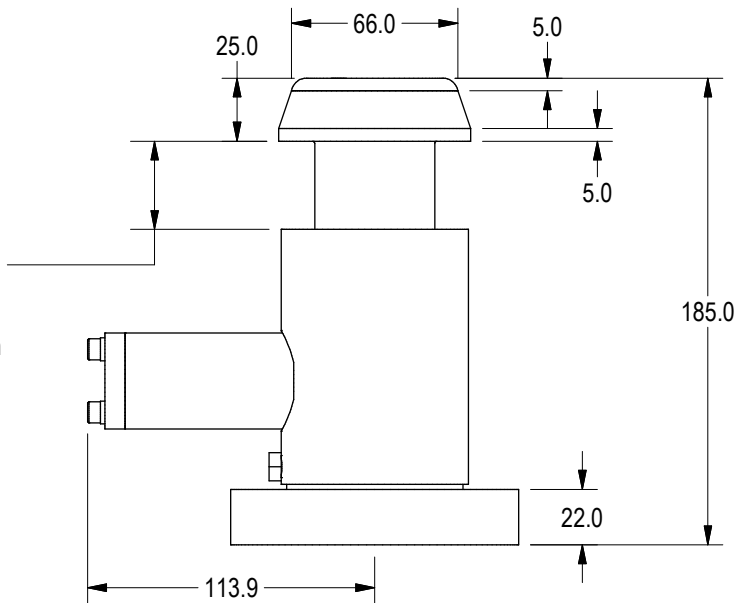
GENERAL DIMENSIONS



ORDER AS: **WD3**

NOTE: DIMPLES ARE SOLD
SEPARATELY. SEE SHEET 3**

OPERATING STROKE:
33mm ± 1.5mm
NOT TO EXCEED 34.50mm



UNIT WEIGHT: 13.1 LBS

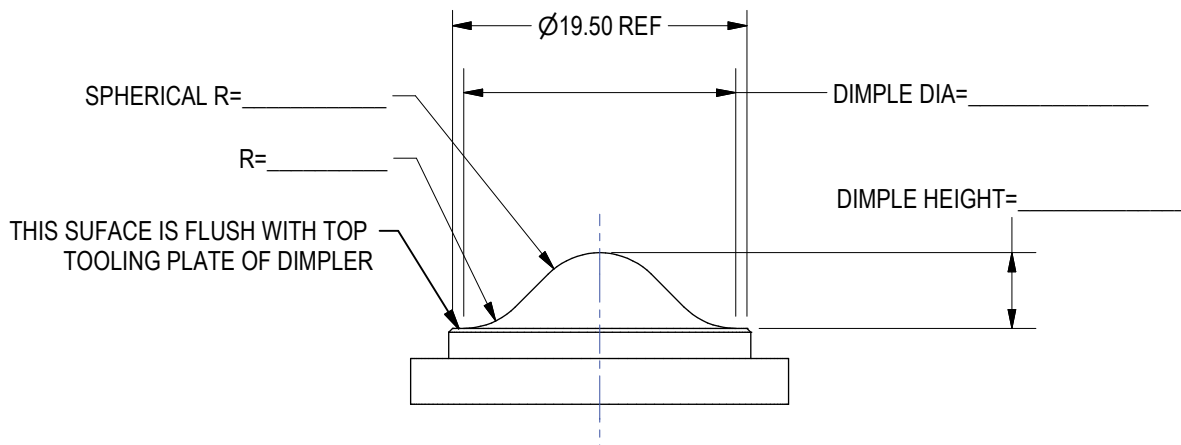
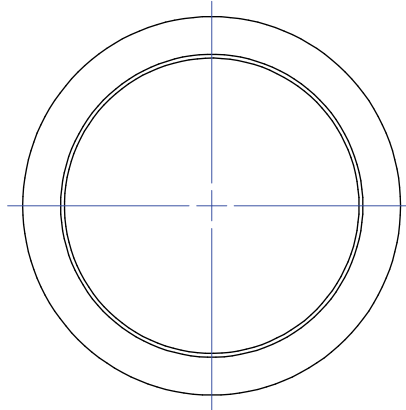
**ANY DIMPLES PROVIDED BY WELKER WITHOUT CUSTOMER SUPPLIED METAL SAMPLE
TRYOUT PIECES RUN AT WELKER AND APPROVED IN WRITING BY CUSTOMER ARE NOT
GUARANTEED.

(DO NOT SCALE DRAWING)

DIMPLE WORKSHEET

Project	Station #	Date
Customer	Contact	Email
		Phone

NOTE: TWO (2) DIMPLES ARE REQUIRED PER UNIT.
 DIMPLES ARE SOLD AS EACH.
 EXAMPLE:
 IF (3) WD3 UNITS ARE ORDERED, SIX (6) DIMPLES ARE REQUIRED.



THIS WORKSHEET IS FOR THE MANUFACTURING OF WELKER CUSTOM DIMPLES (TO BE USED WITH WELKER WD3 DIMPLER).

WELKER RECOMMENDS THE FOLLOWING FOR THE DESIGN OF THE DIMPLE:

- 1) THE DIMPLE HEIGHT DOES NOT EXCEED 1/2 OF THE DIMPLE DIAMETER.
 - 2) THE DIMPLE DIAMETER IS 19.50mm MAX
- PLEASE NOTE THAT ALL FUNCTIONALITY AND RESULTS OF THE DESIGN ARE THE RESPONSIBILITY OF THE CUSTOMER.

DIMPLES ARE HARDENED TO Rc 60-63 AND MADE OF A2 TOOL STEEL

PLEASE COMPLETE THIS WORKSHEET AND RETURN TO WELKER FOR PRICE, DELIVERY AND ORDERING INFORMATION.

ANY FURTHER QUESTIONS, PLEASE CONTACT WELKER:
 248-528-2020
 eng@ewelker.com

(DO NOT SCALE DRAWING)

