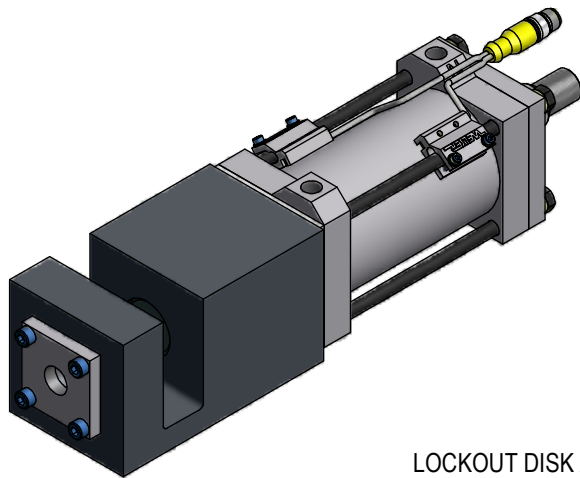


DS3 DOUBLE SHEAR LOCKOUT UNIT

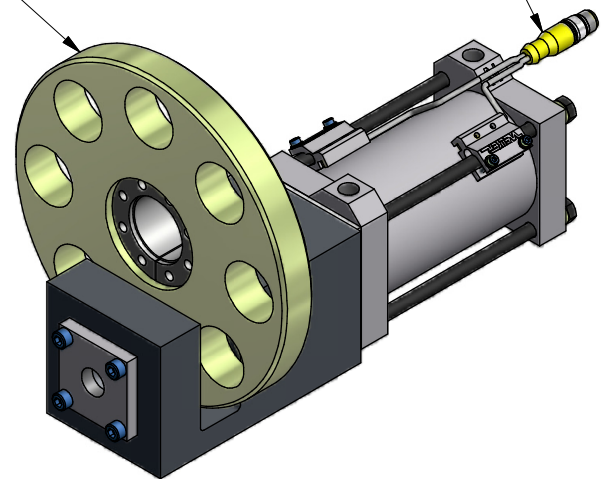


APPLICATIONS

TRUNNIONS & LINEAR MOTION LOCKOUT

LOCKOUT DISK AVAILABLE
IN 3 STANDARD SIZES.
ASK WELKER ABOUT
CUSTOM SIZES

SOLID STATE
CYLINDER SWITCH



DOUBLE SHEAR PIN ALLOWS FOR 10,000 LBF.
SIDE LOAD CAPACITY

SUITABLE FOR AUTOMATIC OR MANUAL
TOOLING

OPTIONAL SPRING EXTEND FEATURE TO
GUARANTEE ENGAGEMENT EVEN IN THE
ABSENCE OF AIR PRESSURE

HIGH STRENGTH MATERIALS WITH CORROSION
AND WELD SPATTER RESISTANT SURFACE

MAINTENANCE FREE OPERATION

REVISED: 5/5/16

ORDERING INFORMATION

NOTE: ALL BOXES MUST BE FILLED IN FOR A COMPLETE PART NUMBER

D	S	3	N						0	0
---	---	---	---	--	--	--	--	--	---	---

Actuator _____

- 30** Welker 70mm Bore w/ NPT ports
- 31** Welker 70mm Bore w/ G ports
- 32** Welker 70mm Bore Dbl Rod w/ NPT ports
- 33** Welker 70mm Bore Dbl Rod w/ G ports

Spring Extend _____

- 0** No Spring
- E** Spring Extend

Switch _____

- 00** No Switch
- LX** See Welker Cylinder Switch Chart

Foot Pedal _____

- X** None
- F** Pneumatic Foot Pedal Valve

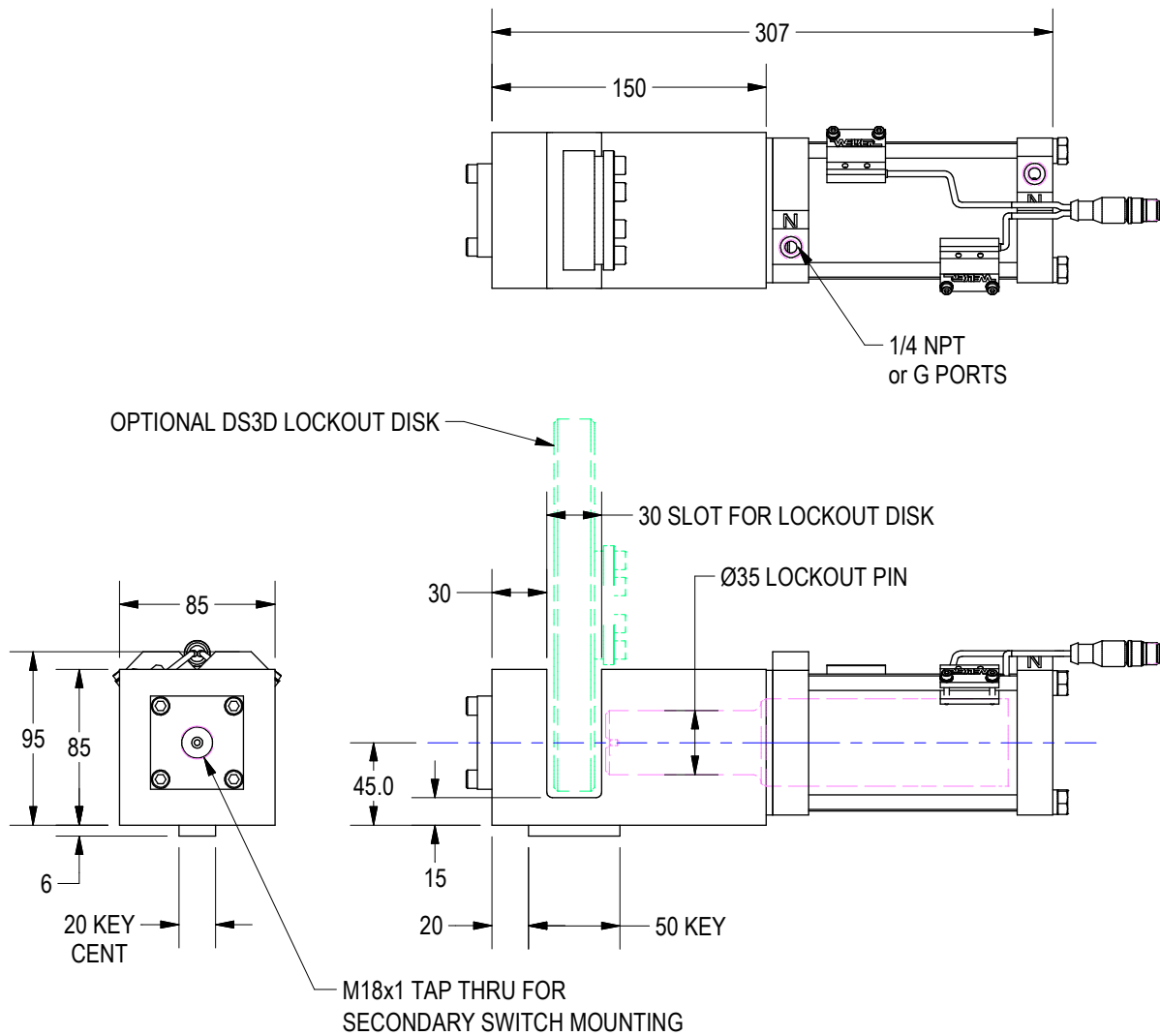
	Switch Option	Part Number	Manufacturer	Description
Cylinder Switches	L3	SWITCH L3 L3 sw itch is w eld field immune, comparable to World Sw itches	Welker	4-Wire, 4-Pin, DC (PNP) M12 X 1 Quick Disconnect
	L5	MK5113 (This is a single sensor sw itch: 2 sw itches are installed per cylinder)	ifm Efector	3-Wire, 4-Pin, DC (NPN) M12 X 1 Quick Disconnect

Standard Switch Option - All other options may affect price and delivery

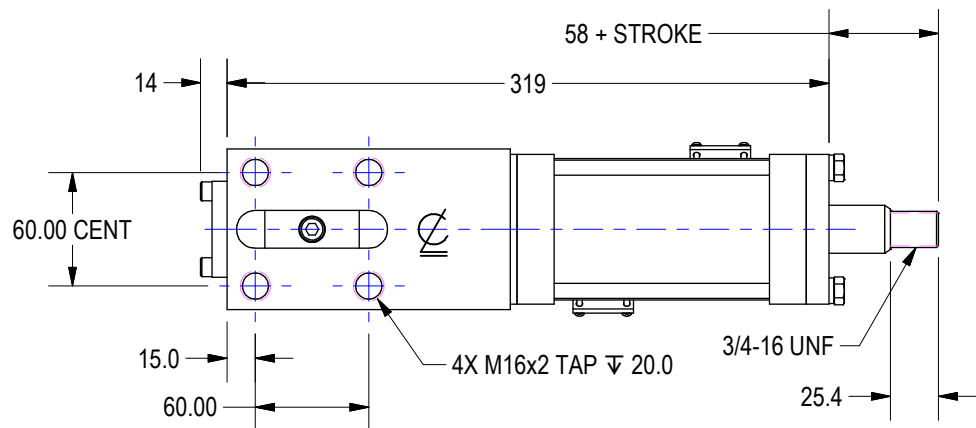
(DO NOT SCALE DRAWING)



GENERAL DIMENSIONS



DS3 WITH DOUBLE ROD CYLINDER



(DO NOT SCALE DRAWING)

WELKER

ENGINEERED PRODUCTS

(800) 229-0890 www.welkerproducts.com

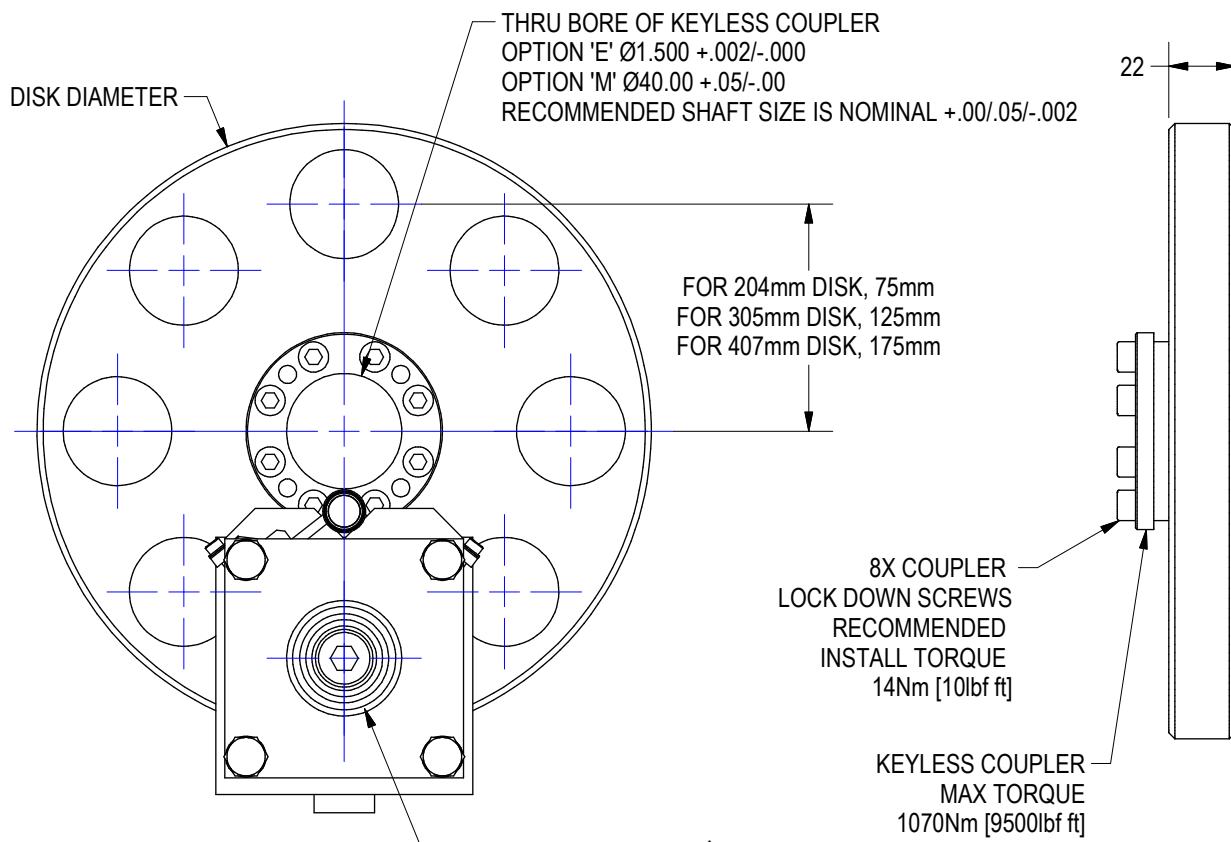
DISK ORDERING INFORMATION



Disk Diameter ————
204 Standard Diameters: 204, 305, 407

Number of Holes (See Hole Note) ————
08 Number of Holes are Evenly Spaced About Diameter

Bore Type ————
E English Bore
M Metric Bore



HOLE NOTE: $\varnothing 36.0$ THRU
 MAX NUMBER OF HOLE VARIES W/ DISK DIA
 FOR 204mm DISK (8) HOLES MAX
 FOR 305mm DISK (12) HOLES MAX
 FOR 407mm DISK (16) HOLES MAX

ASSEMBLY WEIGHTS
 204mm DIA w/COUPLER = 9lbf
 305mm DIA w/COUPLER = 23lbf
 407mm DIA w/COUPLER = 43lbf

CONTACT WELKER FOR CUSTOM ASSEMBLIES

1. SPECIAL HOLE PATTERNS
2. SPECIAL DISK DIAMETERS
3. KEYLESS COUPLER THRU BORE SIZES
4. HIGHER TORQUE CAPACITIES

(DO NOT SCALE DRAWING)

ENGINEERED PRODUCTS
 (800) 229-0890 www.welkerproducts.com