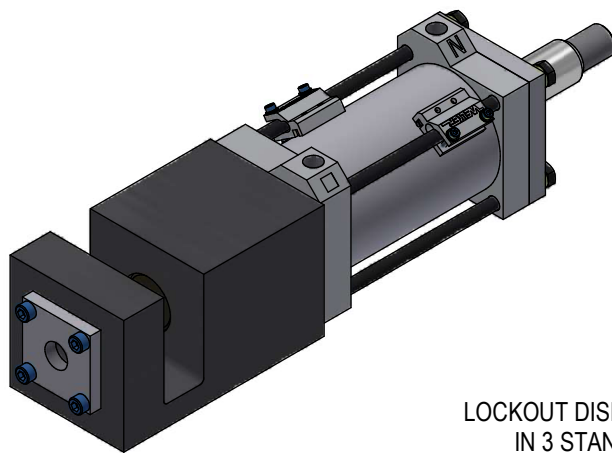




ISO 9001:2015 REGISTERED  
**ENGINEERED PRODUCTS**

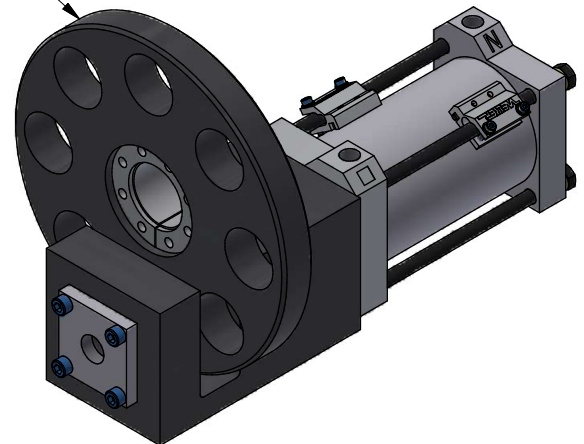
# DS3 DOUBLE SHEAR LOCKOUT UNIT



## APPLICATIONS

*TRUNNIONS & LINEAR MOTION LOCKOUT*

LOCKOUT DISK AVAILABLE  
IN 3 STANDARD SIZES.  
ASK WELKER ABOUT  
CUSTOM SIZES



DOUBLE SHEAR PIN ALLOWS FOR 10,000 LBF.  
SIDE LOAD CAPACITY

SUITABLE FOR AUTOMATIC OR MANUAL  
TOOLING

OPTIONAL SPRING EXTEND FEATURE TO  
MAINTAIN ENGAGEMENT IN THE ABSENCE OF  
AIR PRESSURE

HIGH STRENGTH MATERIALS WITH CORROSION  
AND WELD SPATTER RESISTANT SURFACE

MAINTENANCE FREE OPERATION

RELEASED 01/17/2024

# ORDERING INFORMATION

NOTE: ALL BOXES MUST BE FILLED IN FOR A COMPLETE PART NUMBER

D	S	3	N							0
---	---	---	---	--	--	--	--	--	--	---

**Actuator** \_\_\_\_\_

- 30** Welker 70mm Bore w/ NPT ports
- 31** Welker 70mm Bore w/ G ports
- 32** 70mm Bore Dbl Rod w/ NPT ports
- 33** 70mm Bore Dbl Rod w/ G ports

**Spring Extend** \_\_\_\_\_

- 0** No spring
- E** Spring Extend

**Switch** \_\_\_\_\_

- 00** No switch
- LX** See cylinder switch chart below

**Foot Pedal** \_\_\_\_\_

- X** None
- F** Pneumatic Foot Pedal Valve

**Port Position** \_\_\_\_\_

- A** Position P1
- B** Position P2
- C** Position P3
- D** Position P4

	Switch	Part Number	Manufacturer	Description
<b>Cylinder Switches</b>	<b>L3</b>	SWITCH L3* L3 switch is weld field immune, comparable to World Switches. Dual sensor switch, 1 per cylinder	Welker	4-Wire, 4-Pin, DC (PNP) M12 X 1 Quick Disconnect
	<b>L5</b>	MK5113 Single sensor switch, 2 switches per cylinder	ifm Efector	3-Wire, 4-Pin, DC (NPN) M12 X 1 Quick Disconnect

**Standard Switch Option - All other options may affect price and delivery**

\*Note that some mid and low frequency DC resistance applications (i.e. aluminum resistance welding applications) may cause a fault. In these applications, it is recommended that the sensor be ignored/bypassed during the welding cycle.

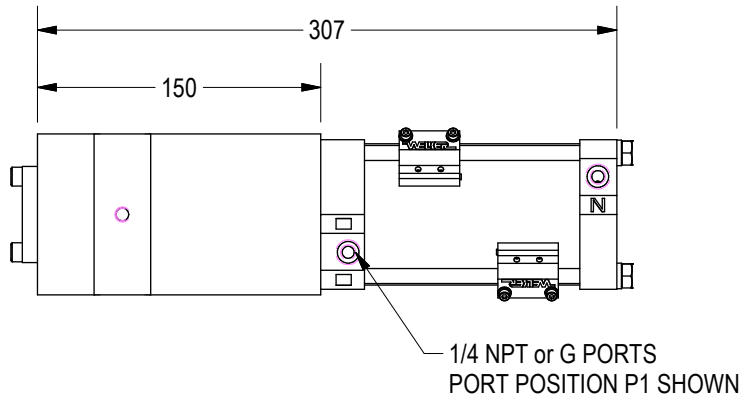
(DO NOT SCALE DRAWING)



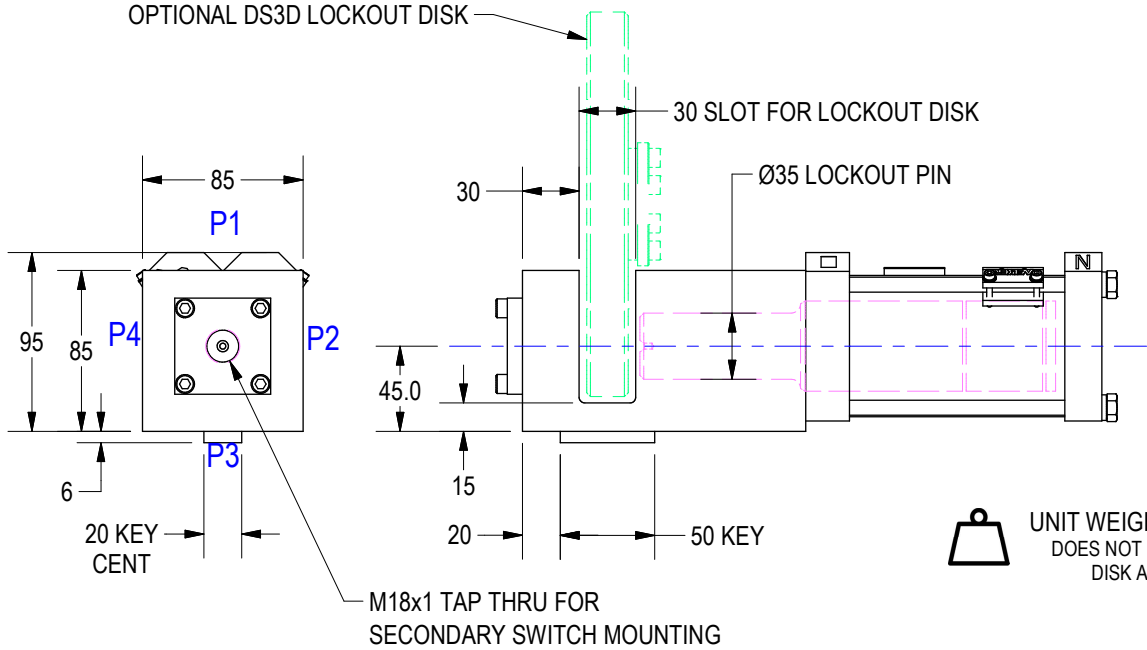
ENGINEERED PRODUCTS

(800) 229-0890 www.welkerproducts.com

# GENERAL DIMENSIONS

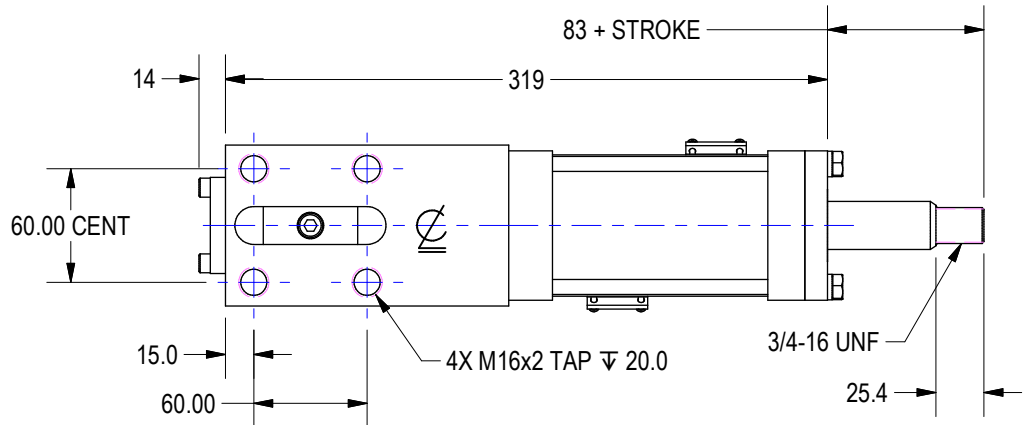


OPTIONAL DS3D LOCKOUT DISK



UNIT WEIGHT = 20lbf  
DOES NOT INCLUDE  
DISK ASSY

## DS3 WITH DOUBLE ROD CYLINDER



**NOTE:** LOADS GREATER THAN 3,000lbf  
REQUIRE CUSTOMER MOUNTING TO BE  
HIGH STRENGTH STEEL AND GRADE  
12.9 BOLTS.

(DO NOT SCALE DRAWING)



ENGINEERED PRODUCTS

(800) 229-0890 www.welkerproducts.com

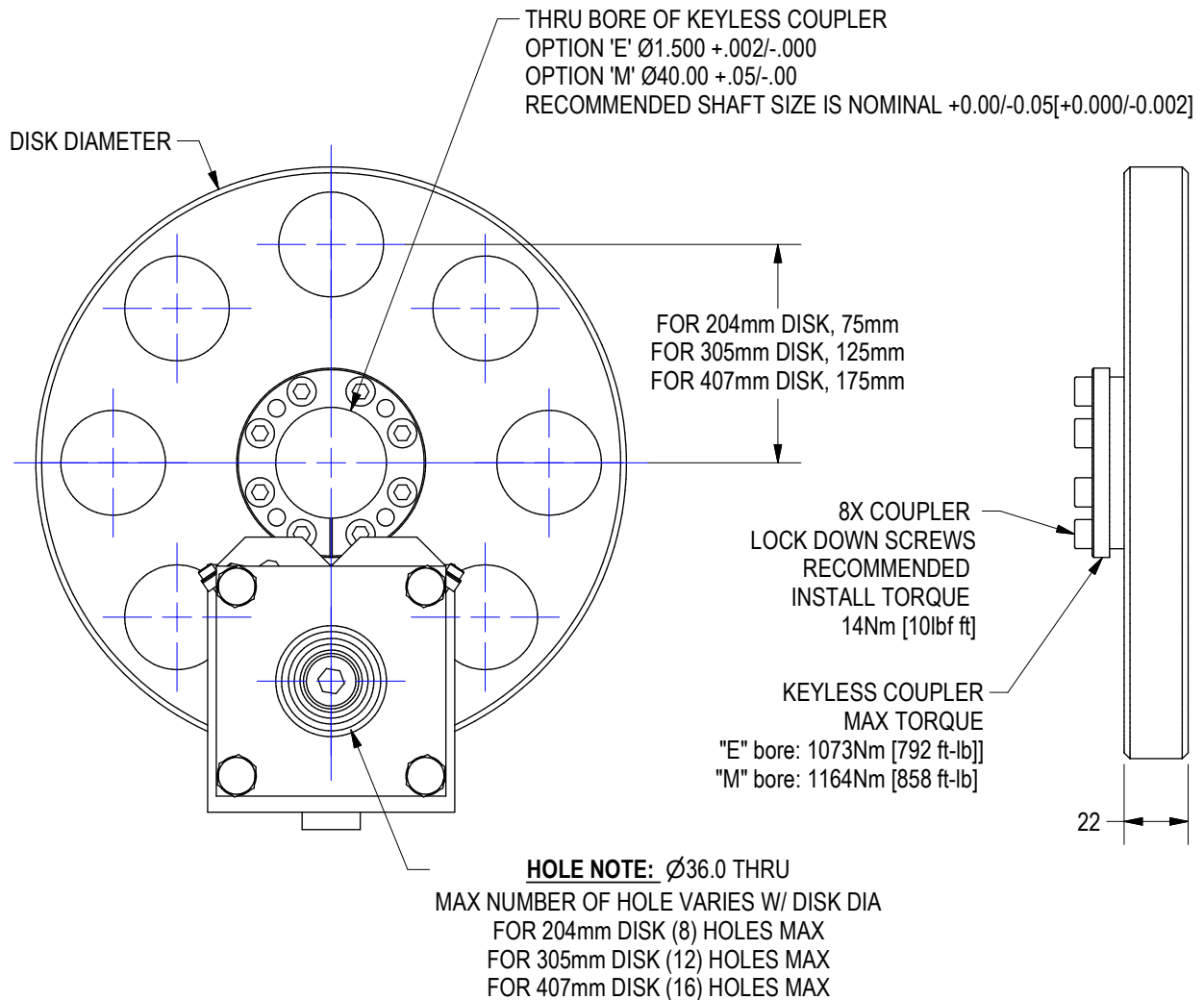
# DISK ORDERING INFORMATION



**Disk Diameter** ————  
**204** Standard Diameters: 204, 305, 407

**Number of Holes (See Hole Note)** ————  
**08** Number of Holes are Evenly Spaced About Diameter

**Bore Type** ————  
**E** English Bore  
**M** Metric Bore



**ASSEMBLY WEIGHTS**

204mm DIA w/COUPLER = 9lbm  
 305mm DIA w/COUPLER = 23lbm  
 407mm DIA w/COUPLER = 43lbm



**CONTACT WELKER FOR CUSTOM ASSEMBLIES**

1. SPECIAL HOLE PATTERNS
2. SPECIAL DISK DIAMETERS
3. KEYLESS COUPLER THRU BORE SIZES
4. HIGHER TORQUE CAPACITIES

(DO NOT SCALE DRAWING)



ENGINEERED PRODUCTS

(800) 229-0890 www.welkerproducts.com