

OTHER CUSHIONS AVAILABLE FOR DIFFERENT WEIGHTS AND SPEEDS

ORDER INFORMATION

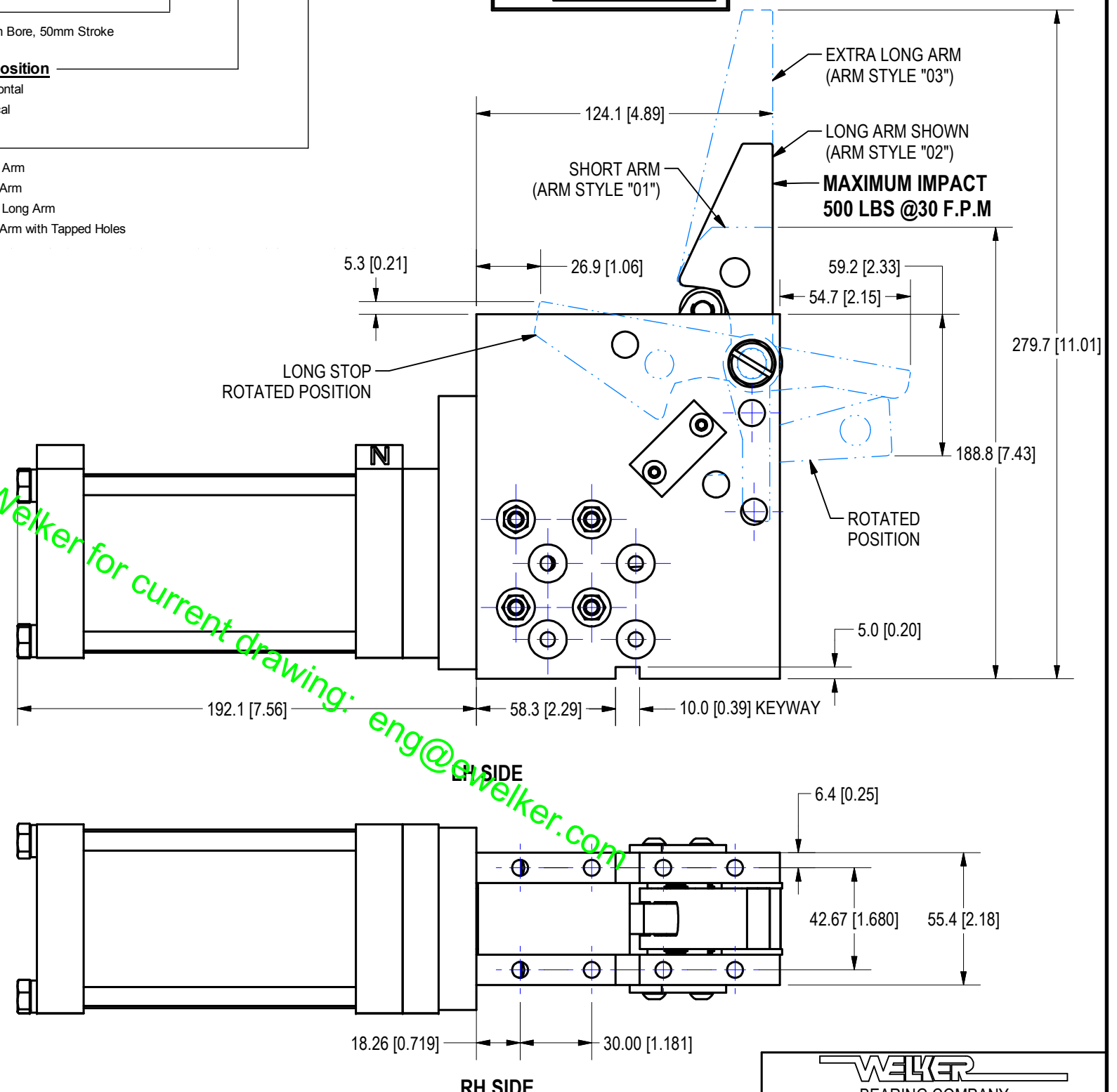
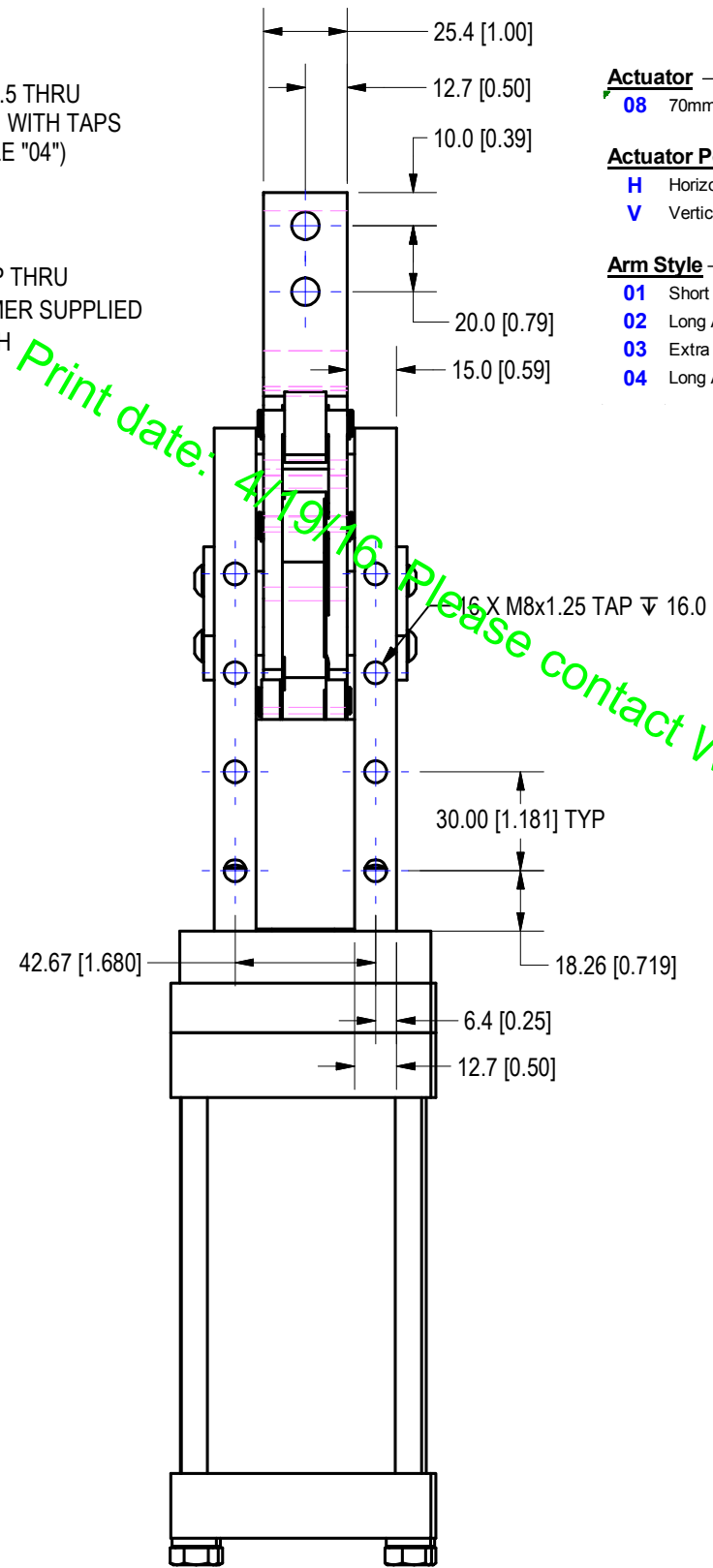
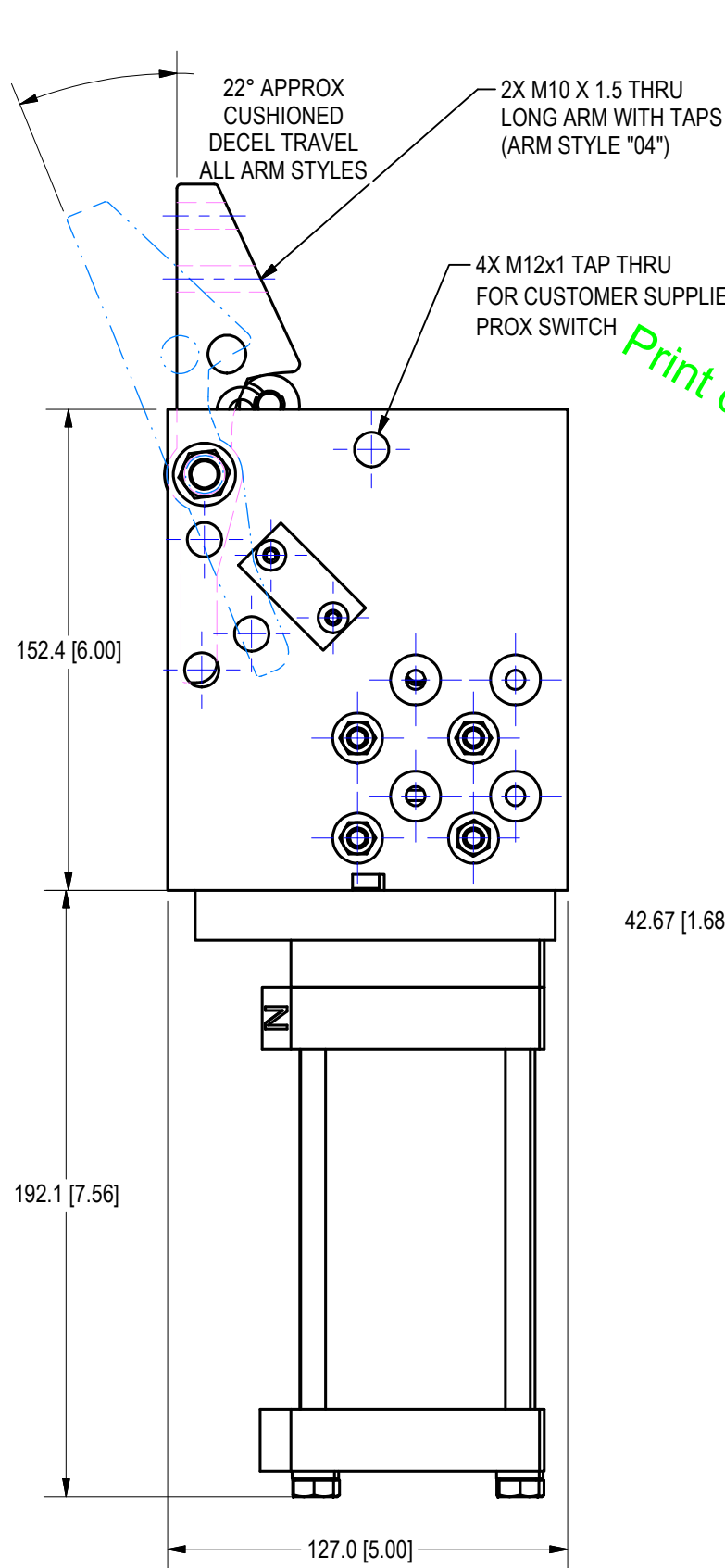
CMX 08 [] [] [] A 00

APPROVAL
 APPROVED:
 AS NOTED:
 BY: R.A.
 DATE: 10/17/2005

Actuator
 08 70mm Bore, 50mm Stroke

Actuator Position
 H Horizontal
 V Vertical

Arm Style
 01 Short Arm
 02 Long Arm
 03 Extra Long Arm
 04 Long Arm with Tapped Holes



Print date: 4/19/16 Please contact Welker for current drawing: eng@welker.com

ACTUATOR 08

PATENT #6,119,843
 OTHER PATENTS PENDING

UNITS ARE MILLIMETERS
 (i.e.X.XXmm [x.xxx"])
 DO NOT SCALE DRAWING

DATE	STATUS	DRAWN BY	DATE	CHKD BY	ENG APPROVAL
4/8/2016	Quick Change	JMP	10/19/2005	AMD	
SCALE	N/A	FILE NAME	CMXL01		

WELKER BEARING COMPANY

TOOL NAME: PALLET STOP TEMPLATE