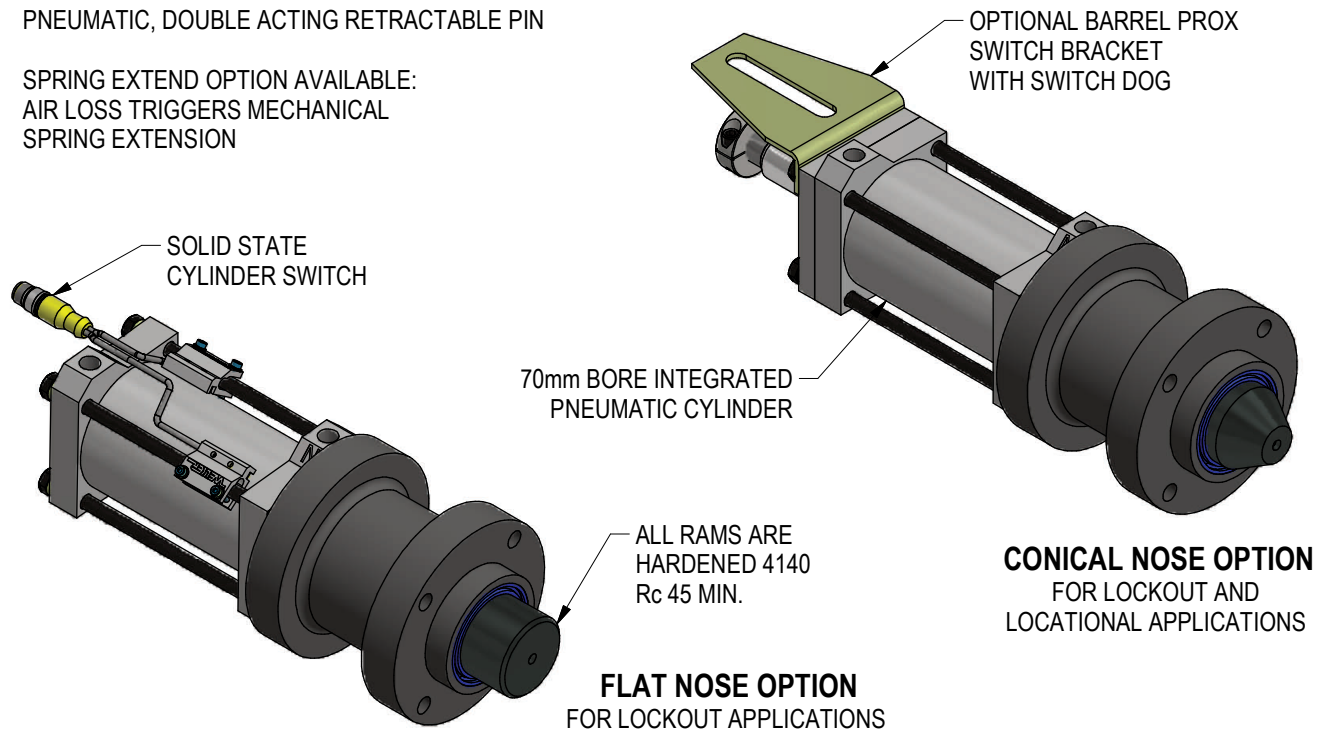


## BP4 SERIES LOCKOUT PIN

5000 lbf LOCKOUT LOAD CAPACITY

PNEUMATIC, DOUBLE ACTING RETRACTABLE PIN

SPRING EXTEND OPTION AVAILABLE:  
AIR LOSS TRIGGERS MECHANICAL  
SPRING EXTENSION

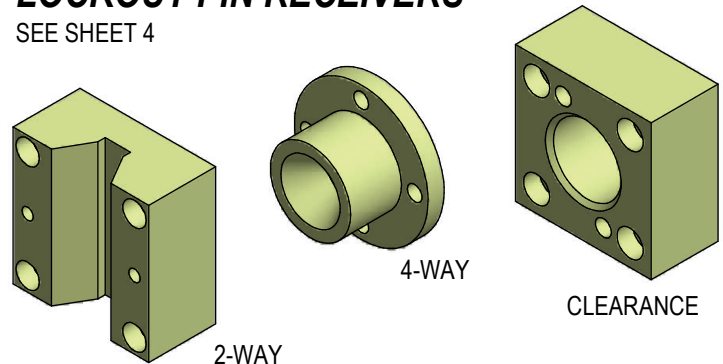


### LOCKOUT PIN APPLICATIONS

- TURNTABLES
- TRUNNION FIXTURES
- TURN-OVER UNITS
- LIFTERS & SLIDES
- SAFETY COMPLIANCE

### **LOCKOUT PIN RECEIVERS**

SEE SHEET 4



REVISED 2/18/20

# ORDERING INFORMATION

NOTE: ALL BOXES MUST BE FILLED IN FOR A COMPLETE PART NUMBER

|   |   |   |   |  |  |   |  |  |  |  |  |  |
|---|---|---|---|--|--|---|--|--|--|--|--|--|
| B | P | 4 | N |  |  | X |  |  |  |  |  |  |
|---|---|---|---|--|--|---|--|--|--|--|--|--|

**Pin Dia** \_\_\_\_\_  
**4** 48mm Nominal Pin Dia

**Stroke** \_\_\_\_\_  
**025** 25mm Stroke  
**050** 50mm Stroke

**Actuator** \_\_\_\_\_  
**01** Pneumatic 70mm Bore - Single Rod - NPT  
**02** Pneumatic 70mm Bore - Single Rod - G Port  
**03** Pneumatic 70mm Bore - Double Rod - NPT Port  
**04** Pneumatic 70mm Bore - Double Rod - G Port

**Pin Nose** \_\_\_\_\_  
**1** Conical  
**2** Flat

**Spring Extend** \_\_\_\_\_  
**0** No spring  
**E** Spring Extend

**Switch** \_\_\_\_\_  
**00** No Switch  
**LX** See Welker Cylinder Switch Chart (below)  
**B1** Barrel Prox Switch Bracket (Requires Double Rod Cylinder)  
 See Sheet 3 for Bracket positions: B1, B2, B3, B4

**Precision** \_\_\_\_\_  
**S** Standard Tolerance ( $\pm .010$ " Extended Ram Axial Lash-Lockout Only at 2500lbf)  
**H** High Locational Tolerance ( $\pm .005$ " Extended Ram Axial Lash-Lock & Locate at 1000lbf)

| SPRING EXTEND OPTION "E": SPRING FORCE |                |                |
|--|----------------|----------------|
| STROKE                                 | ACTUATOR 01/02 | ACTUATOR 03/04 |
| 25mm STROKE EXTENDED                   | 100 LBF        | 60 LBF         |
| 50mm STROKE EXTENDED                   | 80 LBF         | 40 LBF         |
| FULLY RETRACTED                        | 115 LBF        | 80 LBF         |

|                          | Switch Option | Part Number   | Manufacturer | Description   |
|--------------------------|---------------|---|--------------|---|
| <b>Cylinder Switches</b> | <b>L3</b>     | SWITCH L3<br>L3 switch is weld field immune, comparable to World Switches (Dual sensor, single connector switch: 1 switch installed per cylinder) | Welker       | 4-Wire, 4-Pin, DC (PNP)<br>M12 X 1 Quick Disconnect |
|                          | <b>L5</b>     | MK5113<br>(Single sensor, single connector switch: 2 switches installed per cylinder)   | ifm Efeactor | 3-Wire, 4-Pin, DC (NPN)<br>M12 X 1 Quick Disconnect |

**Standard Switch Option - All other options may affect price and delivery**

**SEE SHEET 4 FOR LOCKOUT PIN RECEIVERS - ORDER SEPARATELY BY PART NUMBER**

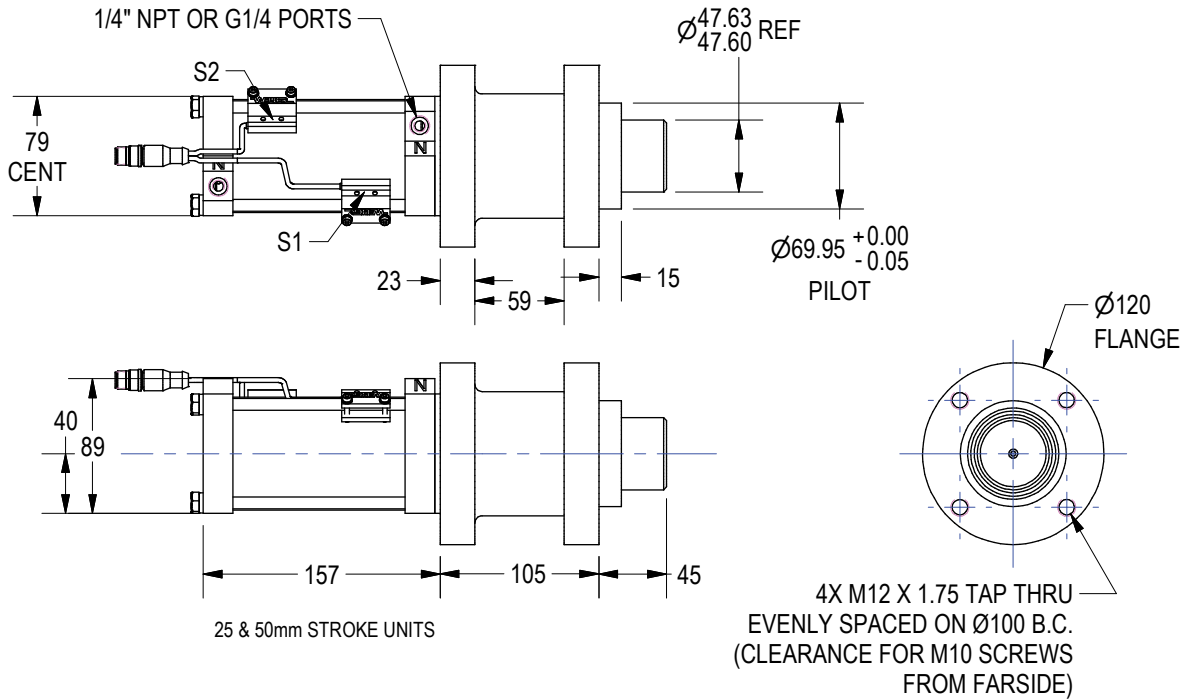
(DO NOT SCALE DRAWING)

ENGINEERED PRODUCTS

(800) 229-0890 www.welkerproducts.com

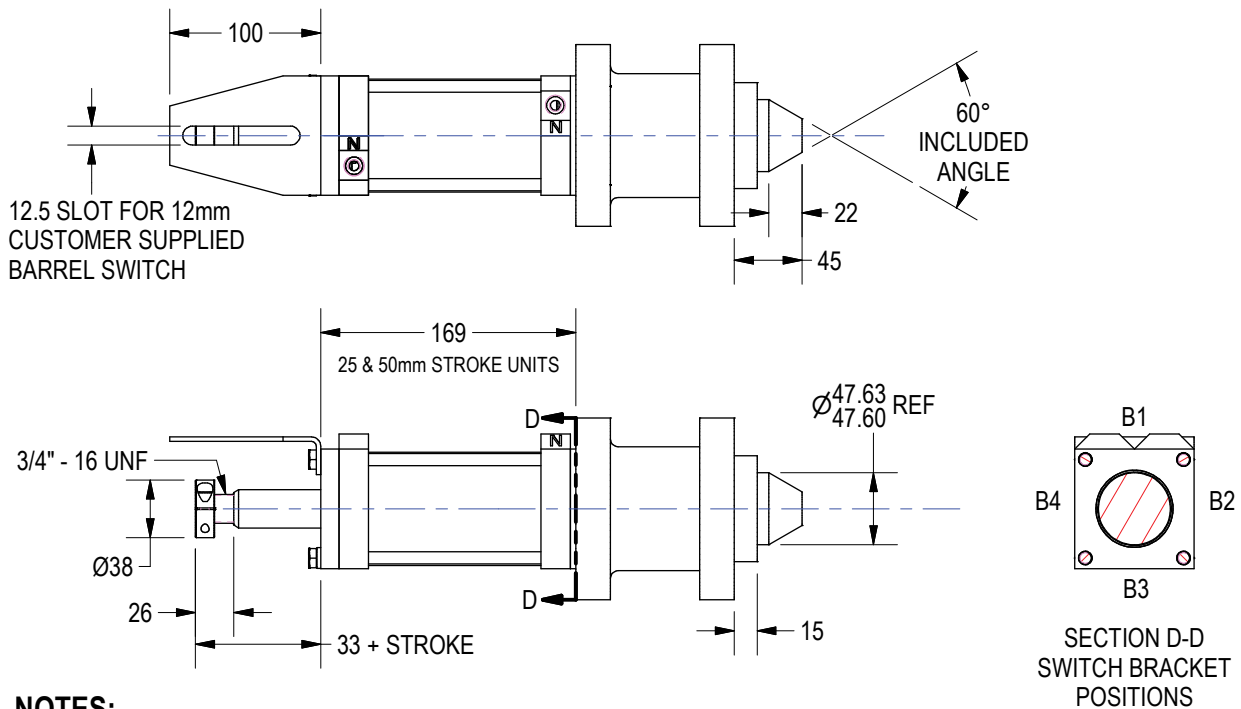
# FLAT PIN ~ RETRACTED POSITION

SHOWN WITH CYLINDER SWITCH OPTION "L3"



# CONICAL PIN ~ RETRACTED POSITION

SHOWN WITH CYLINDER SWITCH OPTION "B1" & DOUBLE ROD OPTION



## NOTES:

- ALL RAMS ARE HARDENED 4140 Rc 45 MIN.
- CYLINDERS INCLUDE MAGNETIC PISTON
- OPTIONAL SPRING EXTEND  
(AIR LOSS TRIGGERS MECHANICAL SPRING EXTENSION)
- MAX WEIGHT WITH 50mm STROKE: 21.5 lbf

SHEET 3

(DO NOT SCALE DRAWING)

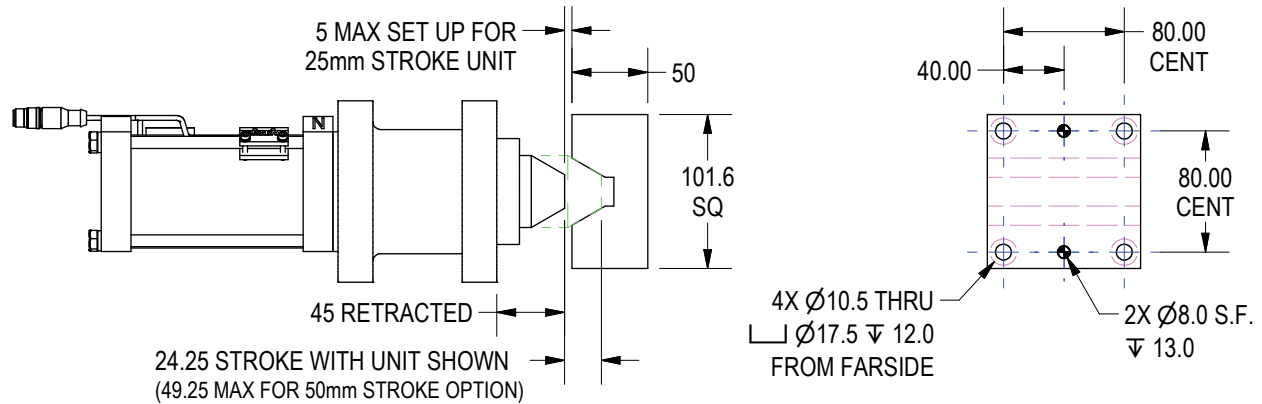
**WELKER**

ENGINEERED PRODUCTS

(800) 229-0890 www.welkerproducts.com

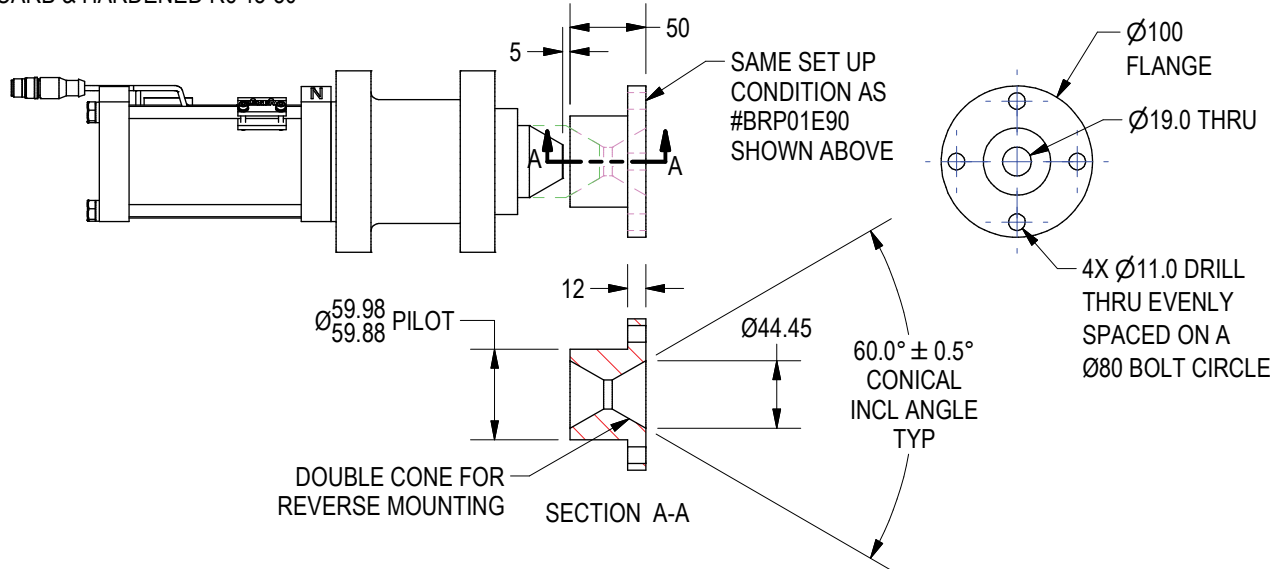
## **BRP01E90 LOCKOUT PIN RECEIVER (2-WAY)**

2-WAY RECEIVER - FOR USE WITH CONICAL NOSE OPTION "1" AS LOCATOR  
 CARB & HARDENED Rc 45-50



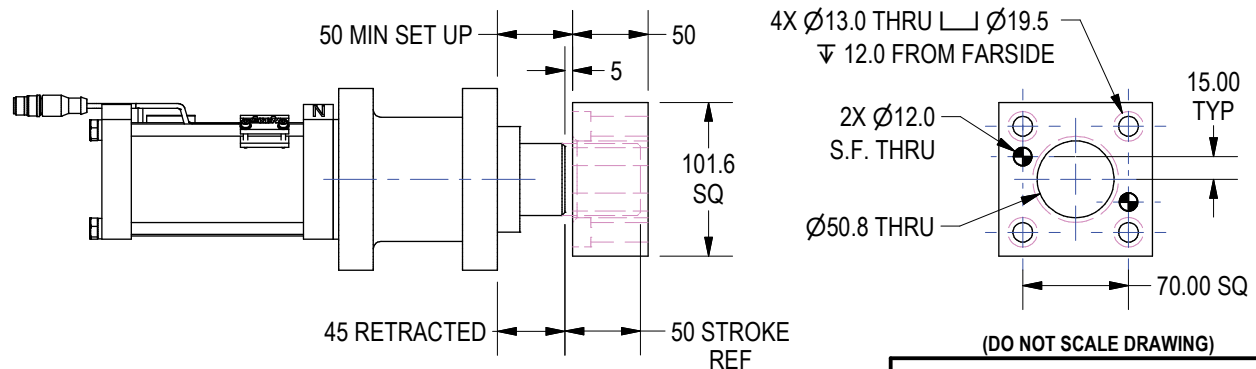
## **BRP01E91 LOCKOUT PIN RECEIVER (4-WAY)**

4-WAY RECEIVER - FOR MORE ACCURATE LOCATING, USE WITH CONICAL NOSE OPTION "1" AS A FINAL POSITIONER OR SAFETY LOCKOUT  
 CARB & HARDENED Rc 45-50



## **BRP01E92 LOCKOUT PIN RECEIVER (CLEARANCE)**

CLEARANCE HOLE - FOR USE WITH FLAT/CONICAL NOSE PIN AS SAFETY LOCK-OUT



(DO NOT SCALE DRAWING)

**WELKER**

ENGINEERED PRODUCTS

(800) 229-0890 www.welkerproducts.com