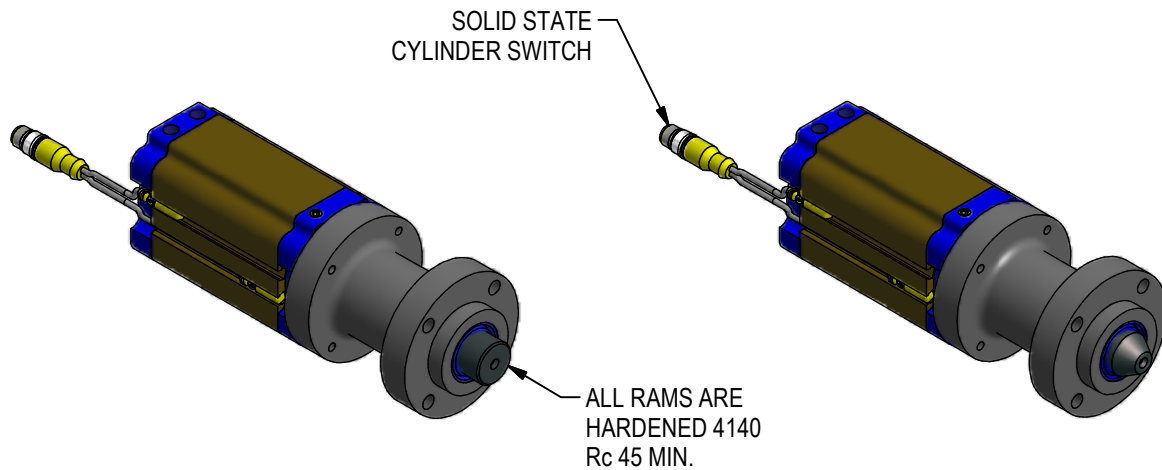


## BP2 LOCKOUT PIN



FLAT NOSE OPTION SHOWN FOR LOCKOUT APPLICATIONS

CONICAL NOSE OPTION SHOWN FOR LOCKOUT AND LOCATIONAL APPLICATIONS

### LOCKOUT PIN FEATURES

PNEUMATIC, DOUBLE ACTING RETRACTABLE PIN  
OPTIONAL SPRING EXTEND (AIR LOSS TRIGGERS MECHANICAL SPRING EXTENSION)  
PNEUMATIC 50MM BORE INTEGRATED CYLINDER  
2500 LBF LOCKOUT LOAD CAPACITY

### LOCKOUT APPLICATIONS

TURNTABLES  
TRUNNION FIXTURES  
TURN-OVER UNITS  
LIFTERS & SLIDES  
SAFETY COMPLIANCE

RELEASED 6/13/16

# ORDERING INFORMATION

NOTE: ALL BOXES MUST BE FILLED IN FOR A COMPLETE PART NUMBER

B	P	2	N			X						
---	---	---	---	--	--	---	--	--	--	--	--	--

**Stroke** \_\_\_\_\_

- 025** 25mm Stroke
- 050** 50mm Stroke

**Cylinder** \_\_\_\_\_

- 01** Welker 50mm Bore w/ NPT ports
- 02** Welker 50mm Bore w/ G ports

**Pin Nose** \_\_\_\_\_

- 1** Conical
- 2** Flat

**Spring Extend** \_\_\_\_\_

- 0** No spring
- E** Spring Extend

**Switch** \_\_\_\_\_

- 00** No switch
- L0** See Welker Cylinder Switch Chart

**Precision** \_\_\_\_\_

- S** Standard Tolerance: Up to 1000 lbf ± .010" Axial Lash in extended position  
*To be used for Lockout Only*
- H** High Locational Tolerance: Up to 500 lbf ± .005" Axial Lash in extended position  
*To be used as Lockout and Locate device*

SPRING EXTEND OPTION "E": SPRING FORCE	
STROKE	ACTUATOR 01/02
25mm STROKE EXTENDED	30 LBF
50mm STROKE EXTENDED	20 LBF
FULLY RETRACTED	40 LBF

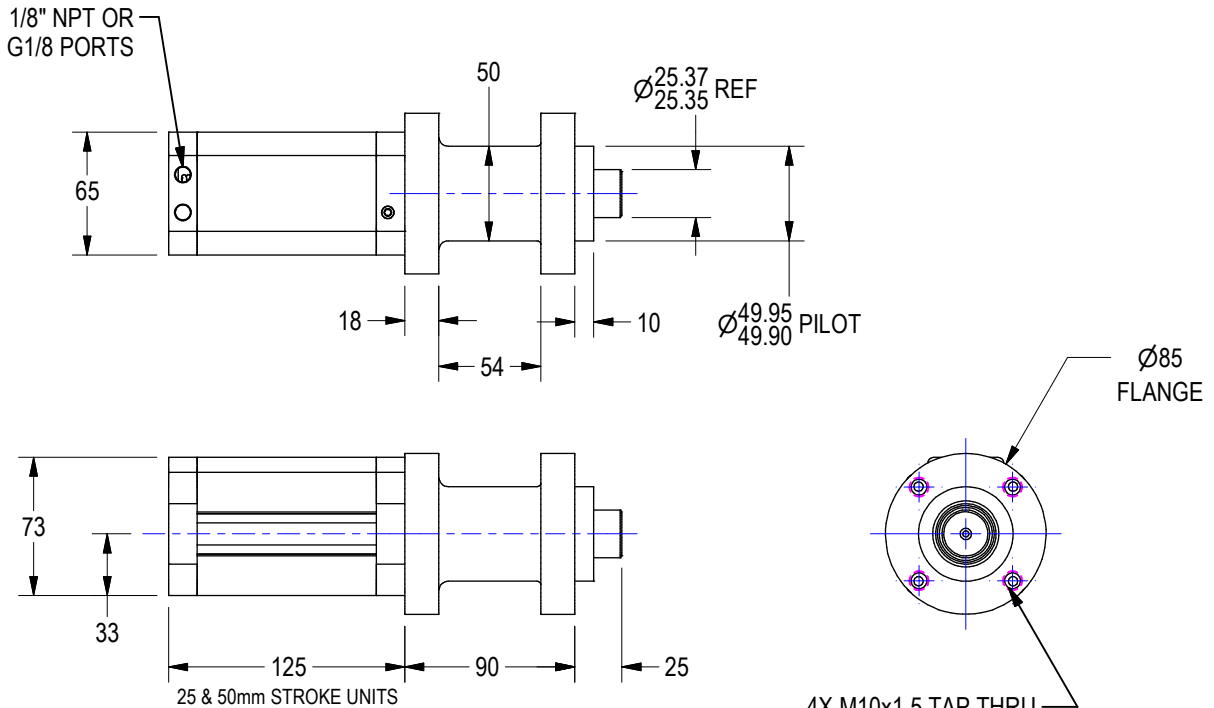
	Switch Option	Part Number	Manufacturer	Description
<b>Cylinder Switches</b>	<b>L3</b>	SWITCH L3 L3 switch is weld field immune, comparable to World Switches	Welker	4-Wire, 4-Pin, DC (PNP) M12 X 1 Quick Disconnect
	<b>L5</b>	MK5113 (This is a single sensor switch: 2 switches are installed per cylinder)	ifm Efeactor	3-Wire, 4-Pin, DC (NPN) M12 X 1 Quick Disconnect

**Standard Switch Option - All other options may affect price and delivery**

(DO NOT SCALE DRAWING)

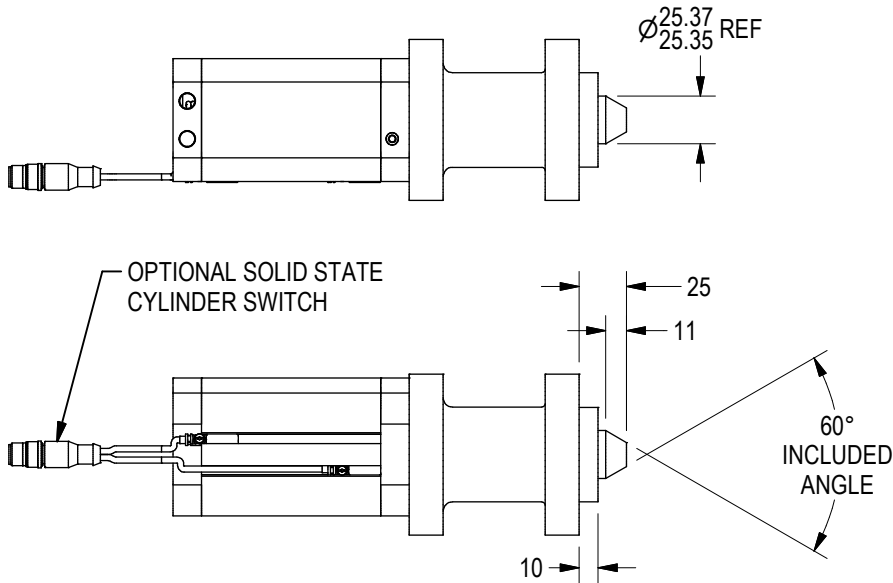


# GENERAL DIMENSIONS



**FLAT PIN  
RETRACTED POSITION**

EVENLY SPACED ON A  $\varnothing 70.00$  B.C.  
(CLEARANCE FOR M8 SCREWS  
FROM FAR SIDE)



**CONICAL PIN  
RETRACTED POSITION**

**NOTES:**

- ALL RAMS ARE HARDENED 4140 Rc 45 MIN.
- CYLINDERS INCLUDE MAGNETIC PISTON
- OPTIONAL SPRING EXTEND  
(AIR LOSS TRIGGERS MECHANICAL SPRING EXTENSION)

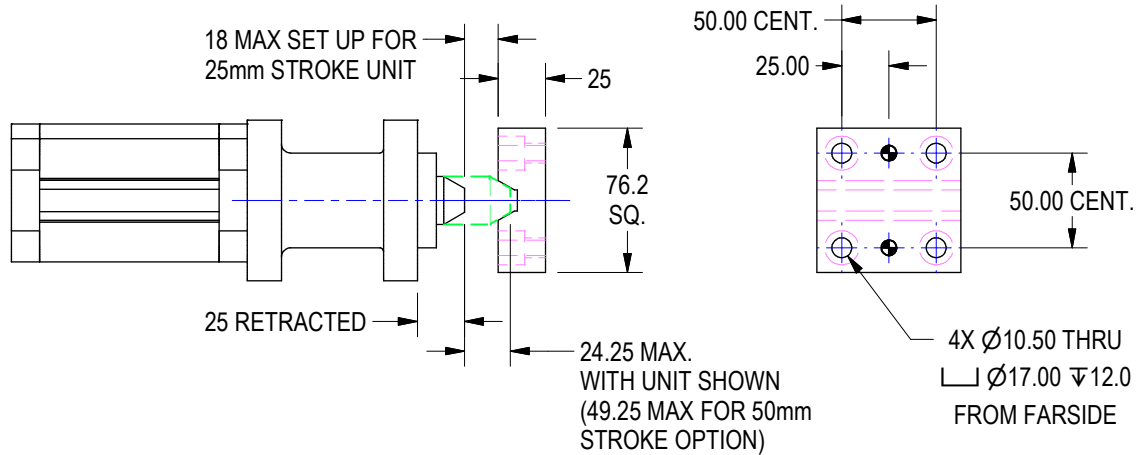
(DO NOT SCALE DRAWING)

**WELKER**  
ENGINEERED PRODUCTS  
248-528-2020 [www.welkerproducts.com](http://www.welkerproducts.com)

# BP2 RECEIVERS

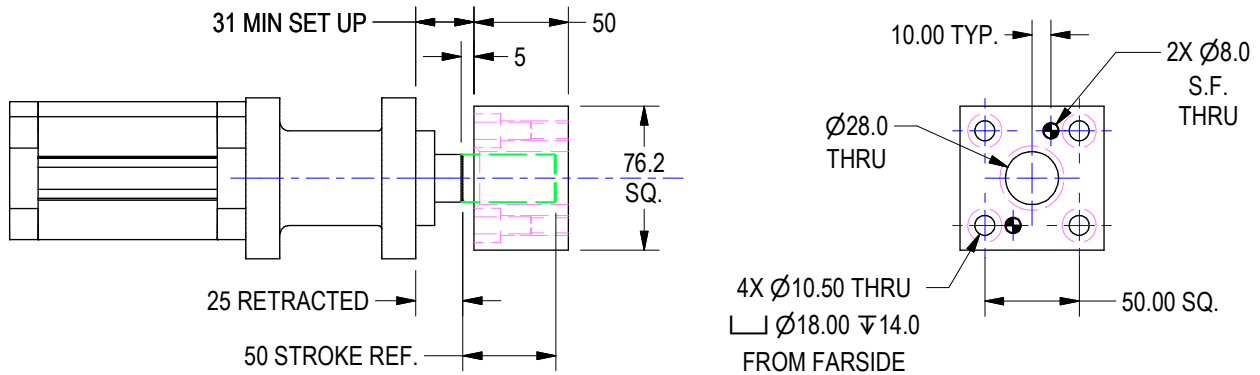
## LOCATIONAL PIN RECEIVER (2-WAY)

ORDER AS #BP2NE90 FOR  
CONICAL PIN NOSE OPTION "1"  
CARB & HARDENED Rc 45-50



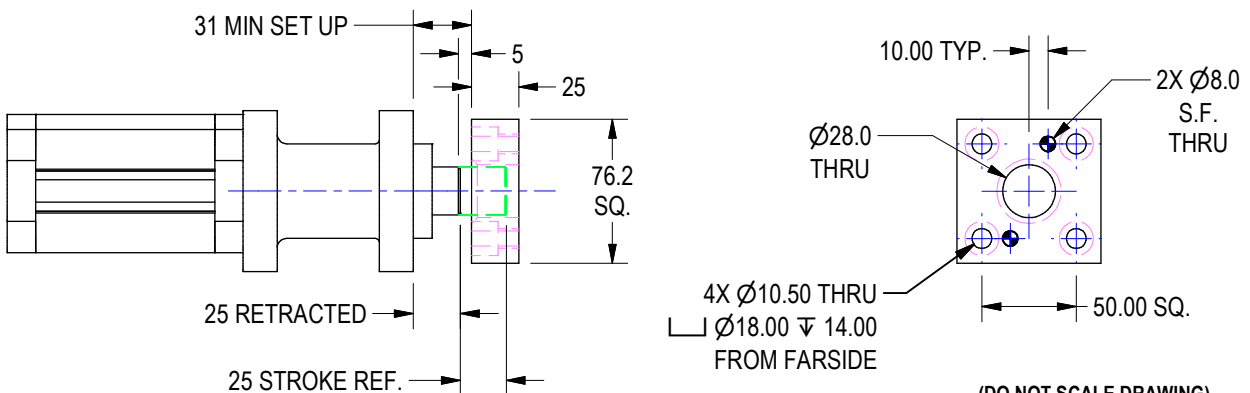
## LOCKOUT PIN RECEIVER (CLEARANCE)

ORDER AS #BP2NE92 FOR  
PIN NOSE OPTION "2"



## LOCKOUT PIN RECEIVER (CLEARANCE)

ORDER AS #BP2NE95 FOR  
PIN NOSE OPTION "2", 25mm STROKE



(DO NOT SCALE DRAWING)